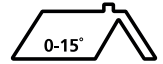
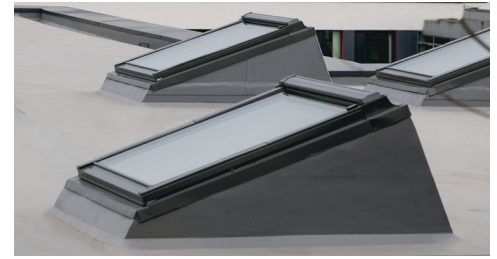


Flat Roof System Window Systems

Many properties have extensions with flat or near flat roofs. Keylite have developed a Flat Roof System specifically for this application that provides all the benefits of natural daylight and ventilation into the area beneath.



Features

- ▶ **Complete Kit** - Within the Keylite Flat Roof System the following are included:
 - ▶ Fully insulated timber upstand
 - ▶ All associated Flat Roof System flashings required
 - ▶ Roof Window of your choice
- ▶ **Flexibility** - The Keylite Flat Roof System is available for the entire Keylite Roof Window range.
- ▶ **Unique Design** - In order to maximise the amount of natural light entering the room, the front and back frames of the insulated timber upstand are set at an angle.
- ▶ **Installation** - Keylite Flat Roof Systems come prefabricated for ease of installation on site and can be installed in a flat roof not exceeding 15 degrees
- ▶ **Operation** - The system can be operated manually or equally with Keylite Electric Operation and Smoke Ventilation Systems.

Installation and Accessory Products

- ▶ **Flashings**
Flat Roof System (FRS-F)
- ▶ **Accessories**
2 metre window pole (WP2)
3 metre window pole (WP3)
Solar electric kit (KCS)
Premium electric kit (PEK)
Standard electric kit (SEK)
Smoke ventilation kit (SVK)*
Opening restrictor (OR)
Security lock (SL)
- ▶ **Blinds**
Integral Blind (I)
Dim out Blind (D)
Black out Blind (B)

*Available in appropriate certified window sizes.

Flat Roof System U-Value

- ▶ **Window**
1.3 W/m²k (Hi-Therm Glazing)
1.0 W/m²k (Triple Glazed)
- ▶ **Upstand**
0.3 W/m²k

Application

- ▶ For installation of roof windows above 2.2m Keylite also recommend electrical operation and a laminated inner pane.

Maintenance

- ▶ The glazing pane of a Keylite Roof Window can be cleaned with a soft, clean cloth/chamois or non-metal squeegee. Clean water will be sufficient for cleaning the pane.
- ▶ The sash can be rotated through 180° where the outer pane can become available for cleaning once locked in position using the plastic locking mechanism located along the top of the sash.

Window Finish Options

- ▶ **Interior** - Pine (T)
White (W)
Polar (P)
- ▶ **Exterior** - Grey
Conservation Black (CW)

Guarantee

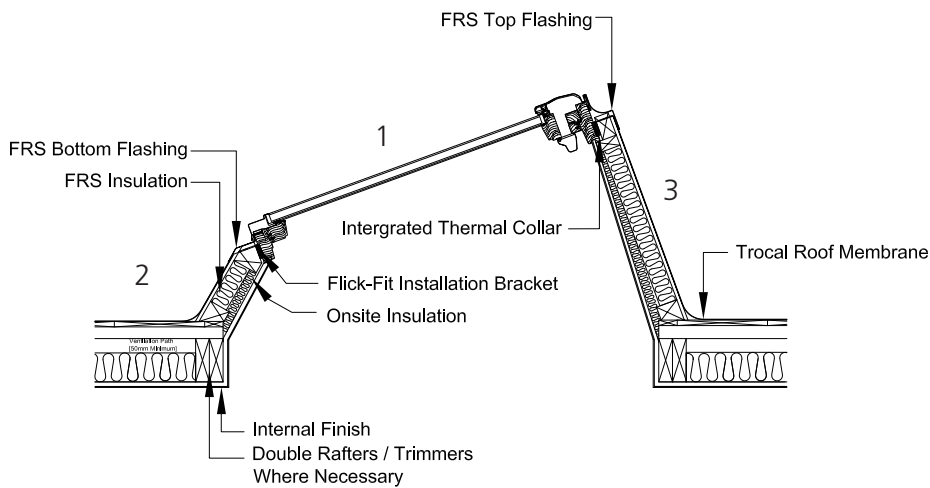
- ▶ **10 Years** - Keylite's hassle free guarantee on windows, insulated upstand and all associated flashings.
- ▶ **3 Years** - Keylite's hassle free guarantee on blinds, accessories and electrics.



Window Sizes (WxH)	550x780	550x980	660x1180	780x980	780x1180	780x1400	940x1600	1140x1180	1340x980	1340x1400
Structural Opening Size	530x1000	530x1200	640x1400	760x1200	760x1400	760x1620	920x1820	1120x1400	1320x1200	1320x1620
Keylite Therm Product Code	FRS-01	FRS-02	FRS-03	FRS-04	FRS-05	FRS-06	FRS-07	FRS-08	FRS-09	FRS-10

Technical Information

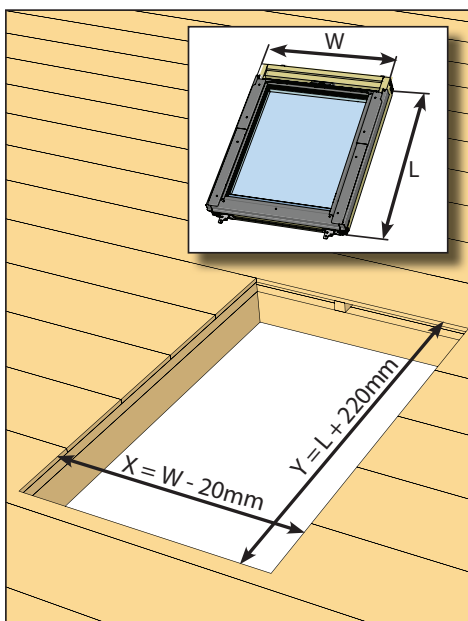
Cross Sections



FRS Upstand Heights		
1 Length of window	2 Front of window	3 Height at Rear
780mm	200mm	507mm
980mm	200mm	575mm
1180mm	200mm	643mm
1400mm	200mm	718mm
1600mm	200mm	786mm

Structural Opening Sizes

Structural opening sizes = Window width -20mm & Window Height +220mm



Window Type	Window Size	External Frame Size		Structural Opening Size Required	
		(mm)		(mm)	
		W	H	W	H
FRS	01	550	780	530	1000
FRS	02	550	980	530	1200
FRS	01C	550	1180	530	1400
FRS	03	660	1180	640	1400
FRS	04	780	980	760	1200
FRS	05	780	1180	760	1400
FRS	06	780	1400	760	1620
FRS	07F	940	1400	920	1620
FRS	07	940	1600	920	1820
FRS	08	1140	1180	1120	1400
FRS	09	1340	980	1320	1200
FRS	10	1340	1400	1320	1620
FRS	01F	550	1400	530	1620
FRS	01G	550	1600	530	1820
FRS	03A	660	780	640	1000
FRS	03B	660	980	640	1200
FRS	03F	660	1400	640	1620
FRS	03G	660	1600	640	1820
FRS	04A	780	780	760	1000
FRS	04G	780	1600	760	1820
FRS	07A	940	780	920	1000
FRS	07B	940	980	920	1200
FRS	07C	940	1180	920	1400
FRS	08A	1140	780	1120	1000
FRS	08B	1140	980	1120	1200
FRS	08F	1140	1400	1120	1620
FRS	08G	1140	1600	1120	1820
FRS	09A	1340	780	1320	1000
FRS	09C	1340	1180	1320	1400
FRS	09G	1340	1600	1320	1820

GB

Unit 3 Gateway Road, Burton Gateway,
Burton upon Trent, DE13 8FL

T: +44 (0) 28 8676 7512
E: technicalsupport@keylite.co.uk

NI & ROI

KG2, Ballyreagh Industrial Est. Sandholes
Road, Cookstown, Co. Tyrone, BT80 9DG