

Fire Resistant Loft Ladder

A Loft Ladder with a 30 minute Fire Rating is ideal for meeting specific Building Regulations.

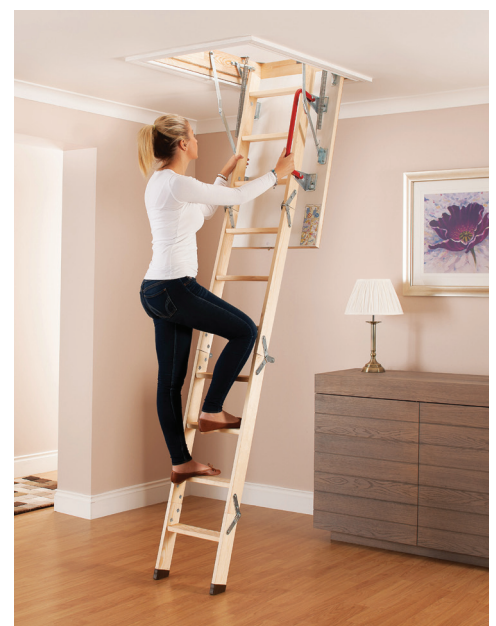


Features

- ▶ **Fire Resistance** – The Keylite Fire Resistant Loft Ladder has obtained a 30 minute Fire Rating classification in compliance with EN 1634-1 and EN 13501
- ▶ **Installation** – Unlike the standard Keylite Loft Ladder we are unable to provide our Unique Patented Flick-Fit Brackets, as a result the Fire Resistant Loft Ladder is required to be installed like a conventional loft ladder from inside the roof and will require a two person installation.
- ▶ **Continuous Seal** – Keylite Loft Ladders have incorporated a continuous seal around the trap door which reduces Heat Loss and improves the overall Air Tightness of the product.
- ▶ **Intumescent Strip** – All Keylite Fire Resistant Loft Ladders also feature an intumescent strip which will expand when subject to increased temperatures in the event of a fire.
- ▶ **Insulated Trapdoor** – The 42mm thick Insulated Trapdoor is supplied as standard on all Fire Resistant Keylite Loft Ladders and boasts an impressive U-Value of 1.1 W/m²K.
- ▶ **Pre-Fitted Handrail** - Located to the right hand side of the ladder, the handrail offers added safety when using the ladder.
- ▶ **Controlled Dismount** – The incredibly durable hinges used between the segments of the Fire Resistant Loft Ladder offer increased safety and peace of mind when opening the trapdoor that the ladder will not drop independently on the person below.
- ▶ **Slip Resistant Treads** - The profile of the rungs on a Keylite Loft Ladder include a series of built in slip resistant treads to offer increased safety and assurance to the user when accessing and egressing the ladder.
- ▶ **Dovetail Joints** - All of the rungs on a Keylite Loft Ladder feature Dovetail joints at the intersect with the Ladder rails for increased tensile strength and allow the maximum weight capacity of the ladder to reach, but not exceed 150Kg.
- ▶ **Protective Feet** – Every one of the Keylite Loft Ladders are provided with a pair of protective feet for the ends of the rails. These protective feet act to combat the scratches to laminate floors and tiles that can occur when the feet are not applied and the exposed timber continually rubs along the surface of the floor.
- ▶ **Air Tightness** – All of the Keylite loft ladders are draught proof and have obtained the highest classification possible on these products, Class 4.
- ▶ **Approved** – Keylite have invested in their products in order to gain the relevant certification and accreditations from national and European bodies. The Keylite Loft Ladder is no different and is fully certified to EN 1634-1 and EN 13501.

Application

- ▶ Keylite recommend installing the Loft Ladder so that the frame bottom is placed flush with the underside of the finished ceiling.
- ▶ When the ladder is fully extended you must ensure that the distance from the frame bottom to the finished floor bottom does not exceed 2.7m on a KYL 01-02, KYL 04-05 and KYL 07-08 and 3.1m on a KYL 03, KYL 06 and KYL 09.
- ▶ Similarly the rear of the ladder must be installed a minimum of 1.65m from any vertical surfaces such as walls and doors.
- ▶ Finally Keylite recommend that the Loft Ladders are not installed close to a stairwell.



Note:

Keylite Loft Ladders are not intended to be used as an alternative and/or substitute for traditional stairs in order to access loft converted areas.

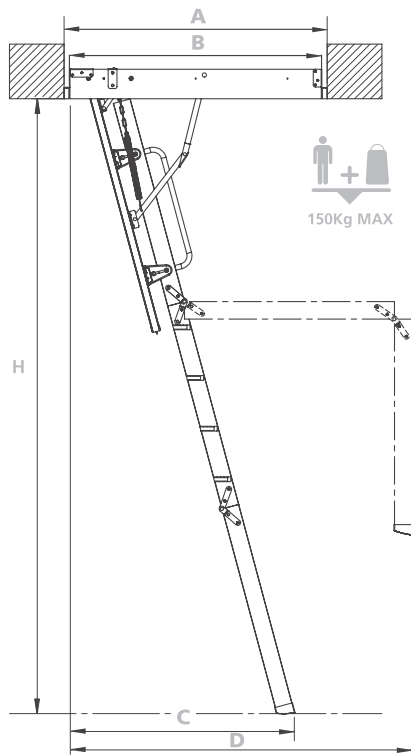
Technical Details

Keylite Product Code	KYL01 FRES	KYL02 FRES	KYL03 FRES	KYL04 FRES	KYL05 FRES	KYL06+ FRES	KYL07+ FRES	KYL08+ FRES
A Ceiling Opening Dimension (mm)	550 x 1000	550 x 1200	550 x 1200	600 x 1000	600 x 1200	600 x 1200	700 x 1000	700 x 1200
B External Frame Size (mm)	530 x 940	530 x 1140	530 x 1140	580 x 940	580 x 1140	580 x 1140	680 x 940	680 x 1140
Number of ladder sections (mm)	4	3	4	4	3	4	4	3
C Distance from rear of frame to extended ladder rail (mm)	1025	1025	1145	1025	1025	1145	1025	1025
D Distance from rear of frame to maximum protrusion (mm)	1300	1565	1605	1300	1565	1605	1300	1565
E Maximum height (mm)	2700	2700	3100	2700	2700	3100	2700	2700

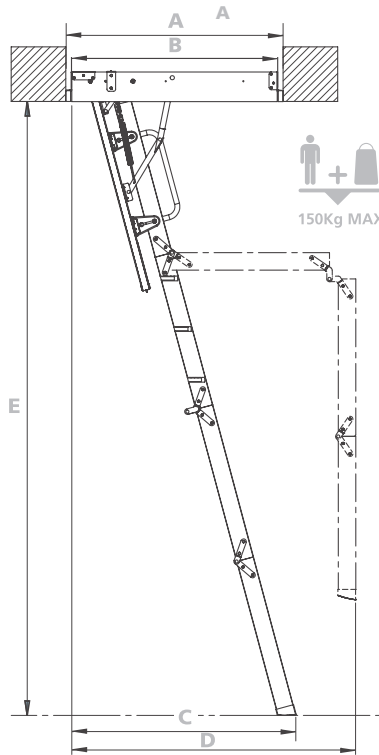
Keylite Product Code	KYL09 FRES	KYL10 FRES	KYL11 FRES	KYL12 FRES	KYL13 FRES	KYL14 FRES	KYL15 FRES	KYL16 FRES
A Ceiling Opening Dimension (mm)	700 x 1200	550 x 1300	700 x 1300	550 x 1400	700 x 1400	600 x 1300	600 x 1300	600 x 1400
B External Frame Size (mm)	680 x 1140	530 x 1240	680 x 1240	530 x 1340	680 x 1340	580 x 1240	580 x 1240	580 x 1340
Number of ladder sections (mm)	4	3	3	3	3	3	4	3
C Distance from rear of frame to extended ladder rail (mm)	1145	1025	1025	1025	1025	1025	1145	1025
D Distance from rear of frame to maximum protrusion (mm)	1605	1565	1565	1565	1565	1565	1605	1565
E Maximum height (mm)	3100	2700	2700	2700	2700	2700	3100	2700

Keylite Product Code	KYL17 FRES	KYL18 FRES	KYL19 FRES
A Ceiling Opening Dimension (mm)	600 x 1400	550 x 1300	550 x 1400
B External Frame Size (mm)	580 x 1340	530 x 1240	530 x 1340
Number of ladder sections (mm)	4	4	4
C Distance from rear of frame to extended ladder rail (mm)	1145	1145	1145
D Distance from rear of frame to maximum protrusion (mm)	1605	1605	1605
E Maximum height (mm)	3100	3100	3100

Cross Sections



3 Segment Ladder



4 Segment Ladder

Operation

- ▶ The Keylite Fire Resistant Loft Ladder is operated manually as standard by threading the opening pole through the hook located on the trapdoor, pulling downwards to release and folding the respective segments of the ladder out and in to place.

Guarantee

- ▶ 3 Years - Keylite's hassle free guarantee on Loft Ladders and their components.

GB

Unit 3 Gateway Road, Burton Gateway,
Burton upon Trent, DE13 8FL

T: +44 (0) 28 8676 7512
E: technicalsupport@keylite.co.uk

NI & ROI

KG2, Ballyreagh Industrial Est. Sandholes
Road, Cookstown, Co. Tyrone, BT80 9DG