

Integral Blinds Roof Window

The Keylite Integral Blind Roof Window range features a factory fitted blind that is permanently sealed within the energy efficient double glazing unit.



Features

- ▶ **Factory Fitted Blind** - Due to the blind being sealed within the glazing unit it requires **no cleaning** as it is housed in an entirely dust free environment thus making it ideal for hospitals and other sterile/hygienic environments.
- ▶ **Enhanced Sun Shading** - The blind consists of dim out fabrics to help reduce the glare of the sun ensuring human comfort levels can be maintained within the room.
- ▶ **Multiple Application** - The integral blind can be operated either manually or electrically and is available throughout the Keylite Roof Window range in standard sizes only. The manual blind is available in black out fabric while our electric blind is available in dim out fabric only.
- ▶ **Flick-Fit Brackets** - Keylite's unique Flick-Fit brackets are prefitted so you can lift the window straight from the box to the roof and simply select the setting for tile or slate.
- ▶ **Sash Finger Springs** - The sash hinge finger spring allows the sash to be installed back into the frame in one smooth effortless motion.
- ▶ **Recessed Fit as Standard** - Every Keylite Roof Window is recessed as standard, sitting lower in the roof than ever before.
- ▶ **New Profile Hood** - Keylite's new hood features a more sculptured design, enhancing its appearance in the roof.
- ▶ **Integrated Thermal Collar** - Unlike other roof windows, Keylite's thermal collar is integrated into the frame.

The collar is activated by simply pulling the release tabs for a fast insulation solution, combating cold bridging.
- ▶ **Click-Fit Hood** - Simply click the hood under the hood hooks and secure into position by clicking the hood in at each end. The cover flashings now require 50% fewer screws than before.
- ▶ **Warm Edge Glazing** - Every Keylite Roof Window now has a warm edge glazing unit as standard, to enhance the windows performance and reduce the occurrence of condensation.
- ▶ **All Weather Ventilation** - Keylite Roof Windows all provide trickle ventilation, even with the window fully closed and securely locked. The built in ventilation filter ensures no insects pass into the room, only clean fresh air.
- ▶ **Ventilation handle** - Keylite's slimline ventilation handle has a new contemporary style, designed to provide comfortable opening of both the window and the ventilation flap.
- ▶ **Thermal Insulation** - Keylite have engineered thermal blocks of insulation into the roof window to further enhance its performance and combat against cold bridging.

Installation and Accessory Products

- ▶ **Flashings**
 - Single Installation:
 - Tile (TRF)
 - Deep Tile (DTRF)
 - Slate (SRF)
 - Plain Tile (PTRF)
 - Corrugated Roof (CRF)
 - Combination Installation:
 - Combi Tile (CTRF)
 - Combi Slate (CSRF)
 - Combi Plain Tile (CPTRF)
 - Bi-Lite Tile (BLTRF)
 - Bi-Lite Slate (BLSRF)
 - Quad Lite Tile (QLTRF)
 - Quad Lite Slate (QLSRF)
- ▶ **Additional Installation Products** -
 - Underfelt Collar (FC)
 - Vapour Collar (VC)
- ▶ **Accessories** -
 - 2 metre window pole (WP2)
 - 3 metre window pole (WP3)
 - Solar Powered electric kit (KCS)*
 - Premium electric kit (PEK)*
 - Standard electric kit (SEK)
 - Opening restrictor (OR)
 - Security lock (SL)
- ▶ **Blinds** -
 - Dim out Blind (D)
 - Black out Blind (B)

*Available on CP windows ONLY

Application

- ▶ Keylite recommend installing the window so that the frame top is between 1.85m - 2.20m above the floor for ease of operation.
- ▶ For installation of roof windows above 2.2m Keylite also recommend electrical operation and a laminated inner safety pane.

Operation

- ▶ **TCP/WCP/PCP** - The Keylite Centre Pivot Roof Window is operated manually as standard, through the full width use of our ventilation handle, located along the top of the sash. Electric operation is also available as an additional accessory.
- ▶ **PTH/PFE WTH/WFE TTH/TFE** - The Keylite Top Hung/Fire Escape roof window is operated manually as standard, through rotating the handle, located along the bottom of the sash.

Guarantee

- ▶ **10 Years** - Keylite's hassle free guarantee on windows, flashings and Integral blind.
- ▶ **3 Years** - Keylite's hassle free guarantee on blinds, accessories and electrics.

Finish Options

- ▶ **Interior** - Pine (T)
White (W)
- ▶ **Exterior** - Grey
Conservation Black (CW)





(nominal) WxH mm	550x780	550x980	660x1180	780x980	780x1180	780x1400	940x1600	1140x1180	1340x980
Centre Pivot Roof Window with Manual Integral Blind									
PINE FINISH	TCP 01 I	TCP 02 I	TCP 03 I	TCP 04 I	TCP 05 I	TCP 06 I	TCP 07 I	TCP 08 I	TCP 09 I
WHITE FINISH	WCP 01 I	WCP 02 I	WCP 03 I	WCP 04 I	WCP 05 I	WCP 06 I	WCP 07 I	WCP 08 I	WCP 09 I
Top Hung/Fire Escape Roof Window with Manual Integral Blind									
PINE FINISH		TTH 02 I	TFE 03 I	TFE 04 I	TFE 05 I	TFE 06 I	TFE 07 I	TFE 08 I	TFE 09 I
WHITE FINISH		WTH 02 I	WFE 03 I	WFE 04 I	WFE 05 I	WFE 06 I	WFE 07 I	WFE 08 I	WFE 09 I
Electrical Upgrades for Integral Blind Windows									
* Manual Windows, Electrical Blind, Centre Pivot	01 EIR/EIS	02 EIR/EIS	03 EIR/EIS	04 EIR/EIS	05 EIR/EIS	06 EIR/EIS	07 EIR/EIS	08 EIR/EIS	09 EIR/EIS
** Std Elec Window, Electrical Blind, Centre Pivot only	01 EI SEK	02 EI SEK	03 EI SEK	04 EI SEK	05 EI SEK	06 EI SEK	07 EI SEK	08 EI SEK	09 EI SEK
*** Prem Elec Window, Electrical Blind, Centre Pivot only	01 EI PEK	02 EI PEK	03 EI PEK	04 EI PEK	05 EI PEK	06 EI PEK	07 EI PEK	08 EI PEK	09 EI PEK

*EIR blind operates via remote EIS operates via hard wired switch **SEK kit operates both window and blind via individual wall mounted switches

***PEK is supplied with rain sensor function and remote control for window and blind.

Note: Other sizes are available, please contact the Keylite Sales Team for details of full range.

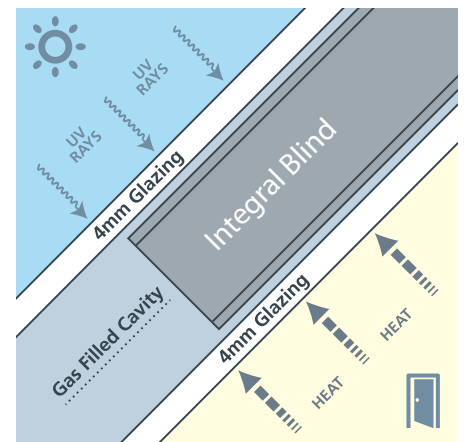
Thermal Performance

		Integral [I]
Window U value	Uw [W/m²K]	1.3
Centre pane U value	Ug [W/m²K]	1.1
Top Hung/Fire Escape U value	Uw [W/m²K]	1.4

Glazing Option

Glazing Option - Results			
UV	Transmittance (%)	τ_{uv}	0.02
	Transmittance for standard illuminant D65 (%)	τ_v	0.76
Light	Reflectance for standard illuminant D65 (%) ^(*)	ρ_v	0.17
	Reflectance for standard illuminant D65 (%) ^(**)	ρ_v	0.15
	General colour rendering index (%)	Ra	0.97
Energy	Solar direct transmittance (%)	τ_e	0.44
	Solar direct reflectance (%) ^(*)	ρ_e	0.36
	Solar direct absorption (%) ^(*)	a	0.20
	Total solar energy transmittance (Solar Factor) EN410 (%) ^(*)	qi	0.49
	Shading coefficient (+g_DIN/0.87) ^(*)	g	0.57

(*) Incident Radiation from the outside (**) Incident Radiation from the inside



Keylite Integral Glazing

- ▶ 4mm Toughened Outer Pane
- ▶ 22mm Argon Gas Filled Cavity
- ▶ 4mm Toughened Inner Pane

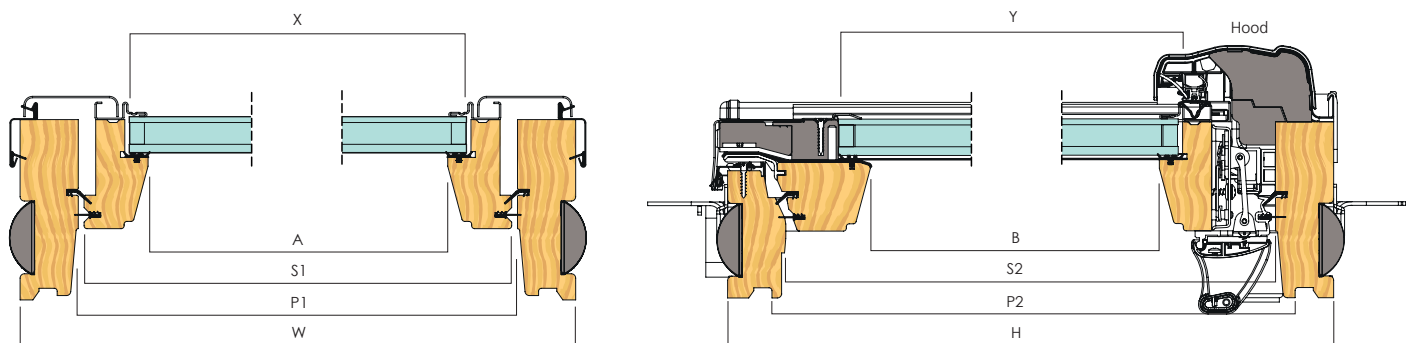
Maintenance

- ▶ The glazing pane of a Keylite Integral Roof Window can be cleaned with a soft, clean cloth/chamois or non-metal squeegee. Clean water will be sufficient for cleaning the pane.
- ▶ The sash can be rotated through 180° where the outer pane can become available for cleaning once locked in position using the plastic locking mechanism located along the top of the sash.

Technical Information

Window Type	Window Size	External Frame Size		Sash Size		Glazing Size		Visible Glazing Size		Internal Reveal Size		Natural Daylight Area (m ²)	Equivalent Ventilation Area (mm ²)	Structural Opening Size Required	
		(mm)		(mm)		(mm)		(mm)		(mm)				(mm)	
		W	H	S1	S2	X	Y	A	B	P1	P2	W	H		
I	01	550	780	460	690	396	593	370	558	496	720	0.206	3,337	590	820
I	02	550	980	460	890	396	793	370	758	496	920	0.280	3,337	590	1020
I	01C	550	1180	460	1090	396	993	370	958	496	1120	0.354	3,337	590	1220
I	03	660	1180	570	1090	506	993	480	958	606	1120	0.460	4,005	700	1220
I	04	780	980	690	890	626	793	600	758	726	920	0.455	4,733	820	1020
I	05	780	1180	690	1090	626	993	600	958	726	1120	0.575	4,733	820	1220
I	06	780	1400	690	1310	626	1213	600	1178	726	1340	0.707	4,733	820	1440
I	07F	940	1400	850	1310	786	1213	760	1178	886	1340	0.895	5,704	980	1440
I	07	940	1600	850	1510	786	1413	760	1378	886	1540	1.047	5,704	980	1640
I	08	1140	1180	1050	1090	986	993	960	958	1086	1120	0.920	6,917	1180	1220
I	09	1340	980	1250	890	1186	793	1160	758	1286	920	0.879	8,131	1380	1020
I	10	1340	1400	1250	1310	1186	1213	1160	1178	1286	1340	1.366	8,131	1380	1440
I	01F	550	1400	460	1310	396	1213	370	1178	496	1340	0.436	3,337	590	1440
I	01G	550	1600	460	1510	396	1413	370	1378	496	1540	0.510	3,337	590	1640
I	03A	660	780	550	690	506	593	480	558	606	720	0.268	4,005	700	820
I	03B	660	980	550	890	506	793	480	758	606	920	0.364	4,005	700	1020
I	03F	660	1400	550	1310	506	1213	480	1178	606	1340	0.565	4,005	700	1440
I	03G	660	1600	550	1510	506	1413	480	1378	606	1540	0.661	4,005	700	1640
I	04A	780	780	550	690	626	593	600	558	726	720	0.335	4,733	820	820
I	04G	780	1600	550	1510	626	1413	600	1378	726	1540	0.827	4,733	820	1640
I	07A	940	780	550	690	786	593	760	558	886	720	0.424	5,704	980	820
I	07B	940	980	550	890	786	793	760	758	886	920	0.576	5,704	980	1020
I	07C	940	1180	550	1090	786	993	760	958	886	1120	0.728	5,704	980	1220
I	08A	1140	780	550	690	986	593	960	558	1086	720	0.536	6,917	1180	820
I	08B	1140	980	550	890	986	793	960	758	1086	920	0.728	6,917	1180	1020
I	08F	1140	1400	550	1310	986	1213	960	1178	1086	1340	1.131	6,917	1180	1440
I	08G	1140	1600	550	1510	986	1413	960	1378	1086	1540	1.323	6,917	1180	1640
I	09A	1340	780	550	690	1186	593	1160	558	1286	720	0.647	8,131	1380	820
I	09C	1340	1180	550	1090	1186	993	1160	958	1286	1120	1.111	8,131	1380	1220
I	09G	1340	1600	550	1510	1186	1413	1160	1378	1286	1540	1.598	8,131	1380	1640

Cross Section



GB
Unit 3 Gateway Road, Burton Gateway,
Burton upon Trent, DE13 8FL

NI & ROI
KG2, Ballyreagh Industrial Est. Sandholes
Road, Cookstown, Co. Tyrone, BT80 9DG

T: +44 (0) 28 8676 7512
E: technicalsupport@keylite.co.uk