

Fire Resistant Loft Ladder

A Loft Ladder with a 30 minute Fire Rating is ideal for meeting specific Building Regulations.

Features

- ▶ **Fire Resistance** – The Keylite Fire Resistant Loft Ladder has obtained a 30 minute Fire Rating classification in compliance with EN 1634-1 and EN 13501
- ▶ **Installation** – Unlike the standard Keylite Loft Ladder we are unable to provide our Unique Patented Flick-Fit Brackets, as a result the Fire Resistant Loft Ladder is required to be installed like a conventional loft ladder from inside the roof and will require a two person installation.
- ▶ **Continuous Seal** – Keylite Loft Ladders have incorporated a continuous seal around the trap door which reduces Heat Loss and improves the overall Air Tightness of the product.
- ▶ **Intumescent Strip** – All Keylite Fire Resistant Loft Ladders also feature an intumescent strip which will expand when subject to increased temperatures in the event of a fire.
- ▶ **Insulated Trapdoor** – The 42mm thick Insulated Trapdoor is supplied as standard on all Fire Resistant Keylite Loft Ladders and boasts an impressive U-Value of 1.1 W/m²K.
- ▶ **Pre-Fitted Handrail** - Located to the right hand side of the ladder, the handrail offers added safety when using the ladder.
- ▶ **Controlled Dismount** – The incredibly durable hinges used between the segments of the Fire Resistant Loft Ladder offer increased safety and peace of mind when opening the trapdoor that the ladder will not drop independently on the person below.
- ▶ **Slip Resistant Treads** - The profile of the rungs on a Keylite Loft Ladder include a series of built in slip resistant treads to offer increased safety and assurance to the user when accessing and egressing the ladder.
- ▶ **Dovetail Joints** - All of the rungs on a Keylite Loft Ladder feature Dovetail joints at the intersect with the Ladder rails for increased tensile strength and allow the maximum weight capacity of the ladder to reach, but not exceed 160Kg.
- ▶ **Protective Feet** – Every one of the Keylite Loft Ladders are provided with a pair of protective feet for the ends of the rails. These protective feet act to combat the scratches to laminate floors and tiles that can occur when the feet are not applied and the exposed timber continually rubs along the surface of the floor.
- ▶ **Air Tightness** – All of the Keylite loft ladders are draught proof and have obtained the highest classification possible on these products, Class 4.
- ▶ **Approved** – Keylite have invested in their products in order to gain the relevant certification and accreditations from national and European bodies. The Keylite Loft Ladder is no different and is fully certified to EN 1634-1 and EN 13501.



Application

- ▶ Keylite recommend installing the Loft Ladder so that the frame bottom is placed flush with the underside of the finished ceiling.
- ▶ When the ladder is fully extended you must ensure that the distance from the frame bottom to the finished floor bottom does not exceed 2.8m on a KYL 01-02, KYL 04-05 and KYL 07-08 and 3.2m on a KYL 03, KYL 06 and KYL 09.
- ▶ Similarly the rear of the ladder must be installed a minimum of 1.65m from any vertical surfaces such as walls and doors.
- ▶ Finally Keylite recommend that the Loft Ladders are not installed close to a stairwell.



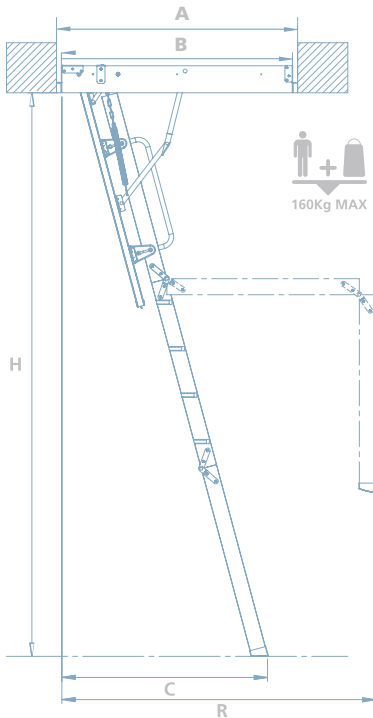
Note: Keylite Loft Ladders are not intended to be used as an alternative and/or substitute for traditional stairs in order to access loft converted areas.

Technical Details

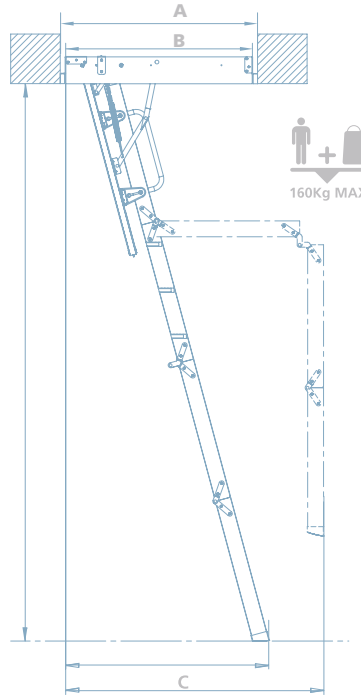
Keylite Product Code	KYL01 FRES	KYL02 FRES	KYL03 FRES	KYL04 FRES	KYL05 FRES	KYL06+ FRES	KYL07+ FRES	KYL08+ FRES	KYL09+ FRES
A Maximum Ceiling Opening Dimension (mm)	540 x 950	540 x 1150	540 x 1150	590 x 950	590 x 1150	590 x 1150	690 x 950	690 x 1150	690 x 1150
B Minimum Ceiling opening dimension (mm)	530 x 940	530 x 1140	530 x 1140	580 x 940	580 x 1140	580 x 1140	680 x 940	680 x 1140	680 x 1140
Number of ladder sections	4	3	4	4	3	4	4	3	4
C Distance from rear of frame to extended ladder rail (mm)	1025	1025	1145	1025	1025	1145	1025	1025	1145
R Distance from rear of frame to maximum protrusion (mm)	1300	1565	1605	1300	1565	1605	1300	1565	1605
H Maximum height (mm)	2800	2800	3200	2800	2800	3200	2800	2800	3200

*Please note additional sizes may be available upon request. For further information please contact the Keylite Technical Department.

Cross Sections



3 SEGMENT LADDERS



4 SEGMENT LADDERS

Operation

- ▶ The Keylite Fire Resistant Loft Ladder is operated manually as standard by threading the opening pole through the hook located on the trapdoor, pulling downwards to release and folding the respective segments of the ladder out and in to place.

Guarantee

- ▶ 3 Years - Keylite's hassle free guarantee on Loft Ladders and their components.

GB

Unit 3 Gateway Road, Burton Gateway,
Burton upon Trent, DE13 8FL

T: +44 (0) 1283 200 158
E: info@keyliteuk.com

NI & ROI

Derryloran Industrial Est. Sandholes Road,
Cookstown, Co. Tyrone, BT80 9LU

T: +44 (0) 28 8675 8921
E: info@keylite.co.uk