

# Flat Roof Dome Smoke Ventilators



Keylite Smoke Ventilator Domes are electrically operated smoke vents designed to allow the release of smoke from buildings in the case of a fire. This enables the key fire escape routes, such as stairwells and corridors, to be kept visible with minimal smoke build up.

## Features

- ▶ All Keylite Flat Roof Smoke Ventilators are fully certified and compliant with EN 12101-2.
- ▶ Wide range of sizes available to provide opening vents with Smoke Ventilation areas of 1.0m<sup>2</sup> & 1.5m<sup>2</sup>
- ▶ Opens to 160° within 60 seconds.
- ▶ Accessories include control panels, detectors and manual control points tested and certified to BSEN 12101-9 and BSCN 12101-10.
- ▶ Actuator can be off set for access purposes as well.
- ▶ 300mm PVC upstand
- ▶ Approved Document L- Conservation of fuel and power

## Guarantee

- ▶ Keylite Flat Roof Domes have a 10 Year guarantee.
- ▶ Electric Actuator - 24 month guarantee.

## Dome Options

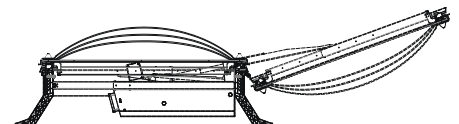
Glazing	Triple Skin Polycarbonate glazing
Finish	Clear, Frosted or Heat reflection
Light Transmission	Clear 70 %,Frosted 50%, Heat Reflection 45%
Fire Rating	BS 476: Part 3 AA BS 476: Part 7 Class 1 Class 0 for Building Regulation Purposes
Thermal Value	U-Value of 1.78W/m <sup>2</sup> k. Hot Box tested to BS EN ISO 12567-2:2005

## Upstands

Construction	Extruded Multi Chamber PVCu proprietary upstand
Finish	Pre-finished white internally
Thermal Value	U-Value of 1.0W/m <sup>2</sup> k independently Hot Box tested
Insulation	Can accommodate up to 150mm of roof insulation
Waterproofing	Suitable for build-up felt, asphalt, single ply, hot melt and liquid applied membranes

## Ventilation Options

Construction	Proprietary extruded PVCu hinged opening frame
Finish	Pre-finished white internally
Operation	Motorised Linear 24v DC Actuator Opening to 160°

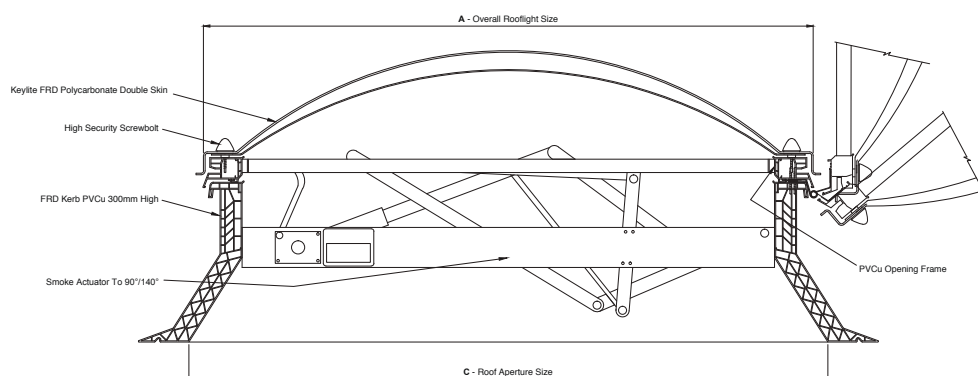


## Technical Information

Product Size	1000x1000	1250x1250	1200x1800	1500x1500	
Structural Opening Size	1025x1025	1275x1275	1225x1825	1525x1525	
Daylight Size	800x800	1050x1050	1000x1600	1300x1300	
Geometric Area m <sup>2</sup>	0.88	1.44	2.16	2.25	
Aerodynamic Area m <sup>2</sup> *	0.61	0.82	1.30	1.33	
Keylite Product Code	Clear	FRD S10 AOV	FRD S125 AOV	FRD R1218 AOV	FRDS15 AOV
	Frosted	FRD S10 FR AOV	FRD S125 FR AOV	FRDR1218FR AOV	FRD S15 FR AOV

\*With additional wind deflector

## Cross - Section



Keylite Smoke Ventilation Dome Polycarbonate Triple Skin Rooflight Complete With Splayed PVCu 300mm High Kerb, and PVCu Opening Frame For Smoke Ventilation By Electric Actuator To 160°, Installed To Prepared Roof Aperture.

## Technical Data

Actuator	LM 100 160
Type	Motorised linear
Voltage	24 DC
Current (with load)	Max. 4.0 Amp
Opening angle	160° or 90°
Ambient operating temperature	-15°C + 70°C
Operating time	60 seconds
Thrust force	2500 N
Close force	2500 N
Switching	Electronic limit
Protection degree	Min. IP54
Product life	Min. 10,000 comfort cycles
Weight	25.1kg
Snow load	500 or 1000 N/m <sup>2</sup>
Wind load	1500 N/m <sup>2</sup>

**Product Reference:** Keylite Flat Roof Dome With Automatically Opening Vent 160°

**Type:** Dome

**Size:** Specify From Keylite Product Literature

**Frame:** Screwbolt - High Security

**Kerb:** PVCu Height 300mm

**Material:** PVCu - White Self Finish

**Glazing Details:** Polycarbonate Triple Skin

**Finish:** Specify from Keylite Product Literature

**Other Requirements:** PVCu Opening Frame For Smoke Ventilation By Electric Actuator To 160°

**Fixing:** Please Consult Keylite Technical Department For Recommendations

## GB

Unit 3 Gateway Road, Burton Gateway,  
Burton upon Trent, DE13 8FL

T: +44 (0) 1283 200 158  
E: info@keyliteuk.com

## NI & ROI

Derryloran Industrial Est. Sandholes Road,  
Cookstown, Co. Tyrone, BT80 9LU

T: +44 (0) 28 8675 8921  
E: info@keylite.co.uk

