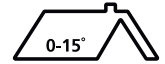
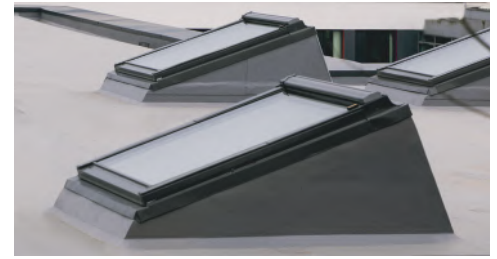


Flat Roof System Window Systems

Many properties have extensions with flat or near flat roofs. Keylite have developed a Flat Roof System specifically for this application that provides all the benefits of natural daylight and ventilation into the area beneath.



Features

- ▶ **Complete Kit** - Within the Keylite Flat Roof System the following are included:
 - ▶ Fully insulated timber upstand
 - ▶ All associated Flat Roof System flashings required
- ▶ **Flexibility** - The Keylite Flat Roof System is available for the entire Keylite Roof Window range.
- ▶ **Unique Design** - In order to maximise the amount of natural light entering the room, the front and back frames of the insulated timber upstand are set at an angle.
- ▶ **Installation** - Keylite Flat Roof Systems come prefabricated for ease of installation on site and can be installed in a flat roof not exceeding 15 degrees
- ▶ **Operation** - The system can be operated manually or equally with Keylite Electric Operation and Smoke Ventilation Systems.

Application

- ▶ For installation of roof windows above 2.2m Keylite also recommend electrical operation and a laminated inner pane.

Maintenance

- ▶ The glazing pane of a Keylite Roof Window can be cleaned with a soft, clean cloth/chamois or non-metal squeegee. Clean water will be sufficient for cleaning the pane.
- ▶ The sash can be rotated through 180° where the outer pane can become available for cleaning once locked in position using the plastic locking mechanism located along the top of the sash.

Installation and Accessory Products

- ▶ **Flashings**
Flat Roof System (FRS-F)
- ▶ **Accessories**
2 metre window pole (WP2)
3 metre window pole (WP3)
Solar electric kit (SPEK)
Premium electric kit (PEK)
Standard electric kit (SEK)
Smoke ventilation kit (SVK)*
Opening restrictor (OR)
Security lock (SL)
- ▶ **Blinds**
Integral Blind (I)
Dim out Blind (D)
Black out Blind (B)

Flat Roof System U-Value

- ▶ **Window**
1.3 W/m²k (Thermal/Hi-Therm Glazing)
1.0 W/m²k (Triple Glazed)
- ▶ **Upstand**
0.3 W/m²k

Window Finish Options

- ▶ **Interior** - Pine (T)
White (W)
Polar (P)
- ▶ **Exterior** - Grey
Conservation Black (CW)

Guarantee

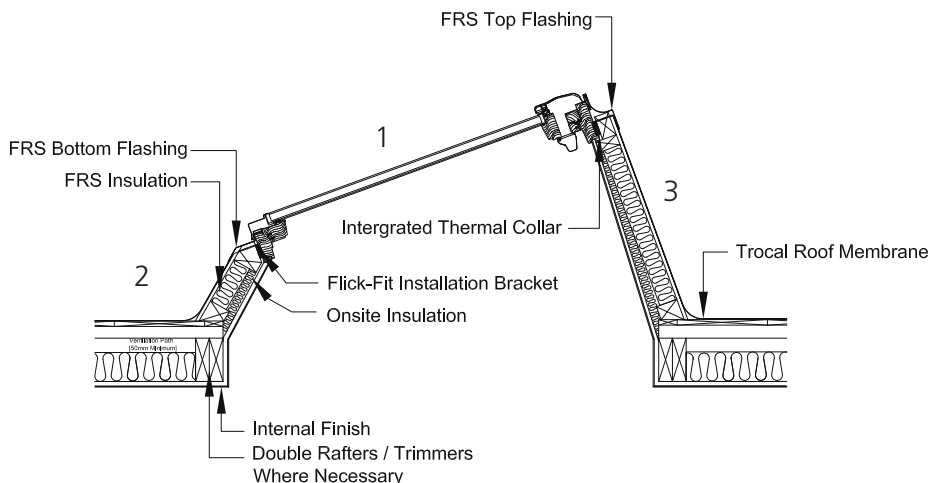
- ▶ **10 Years** - Keylite's hassle free guarantee on windows, insulated upstand and all associated flashings.
- ▶ **3 Years** - Keylite's hassle free guarantee on blinds, accessories and electrics.

*Available in appropriate certified window sizes.

| Window Sizes (WxH) | 550x780 | 550x980 | 660x1180 | 780x980 | 780x1180 | 780x1400 | 940x1600 | 1140x1180 | 1340x980 | 1340x1400 |
|------------------------------|---|--------------|--------------|--------------|--------------|--------------|----------------|---------------|---------------|---------------|
| Structural Opening Size | 530x1000 | 530x1200 | 640x1400 | 760x1200 | 760x1400 | 760x1620 | 920x1820 | 1120x1400 | 1320x1200 | 1320x1620 |
| PINE FINISH | | | | | | | | | | |
| Keylite Therm Product Code | FRS-TCP-01-T | FRS-TCP-02-T | FRS-TCP-03-T | FRS-TCP-04-T | FRS-TCP-05-T | FRS-TCP-06-T | FRS-TCP-07-T | FRS-TCP-08-T* | FRS-TCP-09-T* | FRS-TCP-10-T* |
| WHITE FINISH | | | | | | | | | | |
| Keylite Thermal Product Code | To order White Finish please add "W" to the code ie. FRS-WCP-01-T | | | | | | *SVK available | | | |

Technical Information

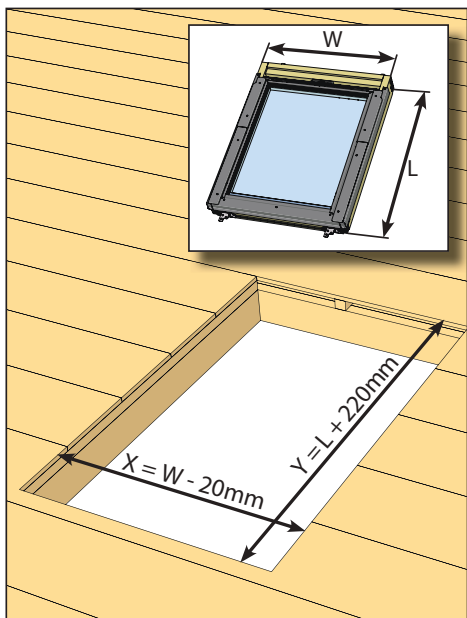
Cross Sections



| FRS Upstand Heights | | |
|---------------------|-------------------|------------------|
| 1 Length of window | 2 Front of window | 3 Height at Rear |
| 780mm | 200mm | 507mm |
| 980mm | 200mm | 575mm |
| 1180mm | 200mm | 643mm |
| 1400mm | 200mm | 718mm |
| 1600mm | 200mm | 786mm |

Structural Opening Sizes

Structural opening sizes = Window width -20mm & Window Height +220mm



| | W x L | X x Y |
|------------|-------------|-------------|
| FRS-TCP-01 | 550 x 780 | 530 x 1000 |
| FRS-TCP-02 | 550 x 980 | 530 x 1200 |
| FRS-TCP-03 | 660 x 1180 | 640 x 1400 |
| FRS-TCP-04 | 780 x 980 | 760 x 1200 |
| FRS-TCP-05 | 780 x 1180 | 760 x 1400 |
| FRS-TCP-06 | 780 x 1400 | 760 x 1620 |
| FRS-TCP-07 | 940 x 1600 | 920 x 1820 |
| FRS-TCP-08 | 1140 x 1180 | 1120 x 1400 |
| FRS-TCP-09 | 1340 x 980 | 1320 x 1200 |
| FRS-TCP-10 | 1340 x 1400 | 1320 x 1620 |

* Please note other sizes available, for further assistance contact the keylite sales team.

GB

Unit 3 Gateway Road, Burton Gateway,
Burton upon Trent, DE13 8FL

T: +44 (0) 1283 200 158
E: info@keyliteuk.com

NI & ROI

Derryloran Industrial Est. Sandholes Road,
Cookstown, Co. Tyrone, BT80 9LU

T: +44 (0) 28 8675 8921
E: info@keylite.co.uk