

# Fixed Skylight

The Keylite Fixed Shut Skylight can be installed in any sloping roof with a pitch of 15°-90°, making it a simple and cost effective way of bringing natural light into a building.



## Features

- ▶ **Additional Security** - One of the many benefits of choosing a Keylite Fixed Shut Skylight is that it provides extra security to the occupants of the building.
- ▶ **Integrated Thermal Collar** - Unlike other Skylights, Keylite's thermal collar is integrated into the frame. The collar is activated by simply pulling the release tabs for a fast insulation solution, combating cold bridging.
- ▶ **Glazing** – All Keylite Roof Windows come complete with a warm edge glazing unit as standard. This not only enhances the windows overall performance but also assists in reducing the occurrence of condensation.
- ▶ **Flick-Fit Brackets** - Keylite's unique Flick-Fit brackets are pre fitted so you can lift the window straight from the box to the roof and simply select the setting for tile or slate.
- ▶ **Recessed Fit as standard** - Keylite Skylights and Roof Windows all come recessed as standard, sitting lower in the roof than before, resulting in improved thermal performance, all at no additional cost.
- ▶ **Appearance** - The Keylite Fixed Shut Skylight is provided with many of the aesthetically pleasing features found on our standard Roof Windows.
- ▶ **Low Profile Hood** - Keylite's new hood has a lower profile and features a sleeker design, enhancing its appearance in the roof.
- ▶ **Flashing** – Keylite's Fixed Shut Skylight is supplied with a unique watertight flashing kit that has been designed to integrate efficiently with your roofing material of choice.

## Thermal Performance

		Thermal (T)	Hi-Therm (HT)
Centre Pane U-Value	Ug [W/m²K]	1.1	1.1
Window U-Value	Uw [W/m²K]	1.4	1.4

## Application

- ▶ Keylite recommends installing the window so that the frame bottom is between 1.85 – 2.20m above the floor.

## Glazing

- ▶ Thermal (T) - Double glazed, toughened outer pane, argon gas filled cavity, float inner pane.
- ▶ Hi-Therm (HT) - Double glazed, toughened outer pane, argon gas filled cavity, laminated inner pane with enhanced noise reduction.

## Finish

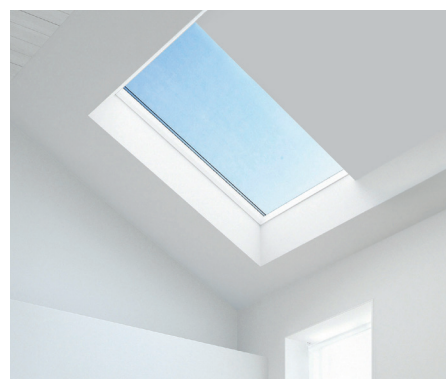
- ▶ Interior - White
- ▶ Exterior - Grey

## Guarantee

- ▶ 10 Years – Keylite's hassle free guarantee on Skylights and flashings.
- ▶ 3 Years – Keylite's hassle free guarantee on blinds and accessories.

## Maintenance

- ▶ The glazing pane of a Keylite Skylight can be cleaned with a soft, clean cloth/ chamois or non-metal squeegee. Clean water will be sufficient for cleaning the pane.



## Installation and Accessory Products

### Flashings

- ▶ Tile (TRF-FS)
- ▶ Slate (SRF-FS)


### Additional Installation Products

- ▶ Underfelt Collar (FC)
- ▶ Vapour Collar (VC)

### Blinds

- ▶ Dim out Blind (D)
- ▶ Black out Blind (B)

## Size Range



Window Sizes (WxH)	550x780	550x980	550x1180	660x1180	780x980	780x1180	780x1400	940x1400	940x1600	1140x1180	1340x980	1340x1400
	<b>White Finish</b>											
Thermal Product Code	SKF 01 T	SKF 02 T	SKF 01C T	SKF 03 T	SKF 04 T	SKF 05 T	SKF 06 T	SKF 07F T	SKF 07 T	SKF 08 T	SKF 09 T	SKF 10 T
Hi Therm Product Code	SKF 01 HT	SKF 02 HT	SKF 01C HT	SKF 03 HT	SKF 04 HT	SKF 05 HT	SKF 06 HT	SKF 07F HT	SKF 07 HT	SKF 08 HT	SKF 09 HT	SKF 10 HT

## Glazing Option

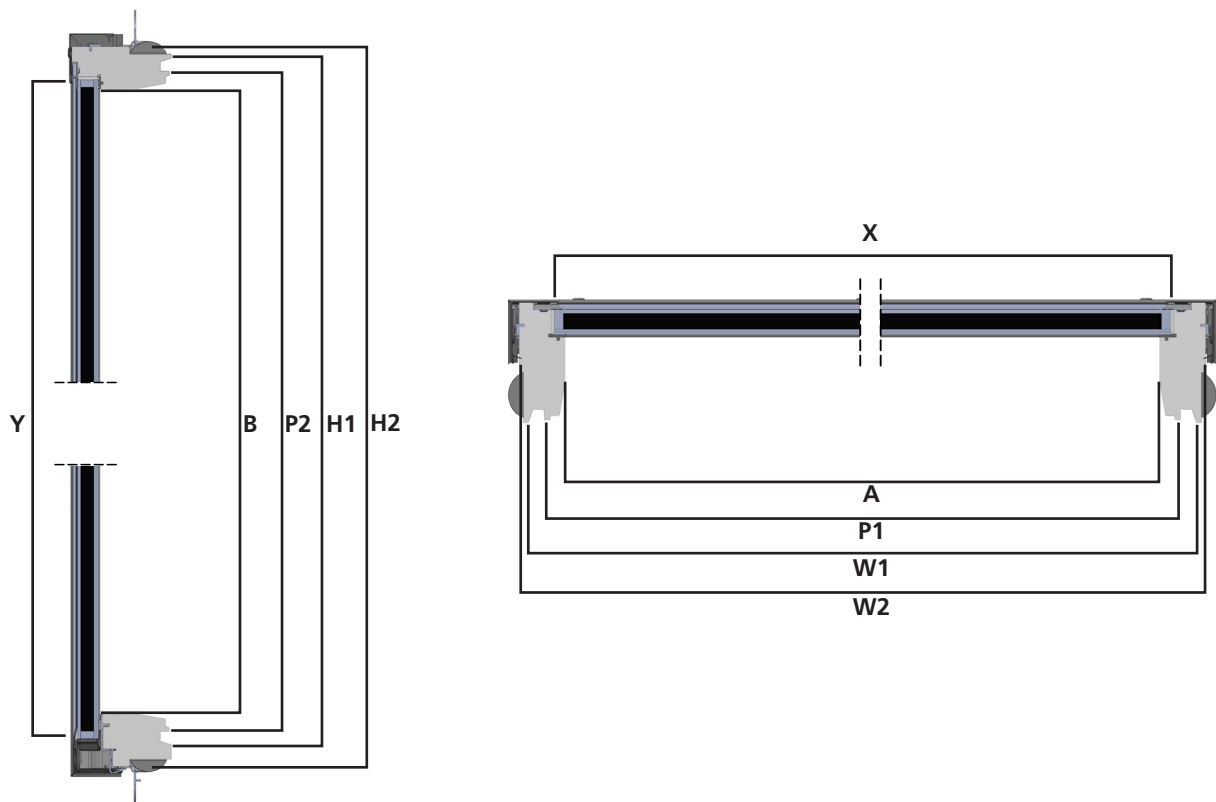
Glazing Option - Results			Thermal [T]	Hi Therm [HT]
UV	Transmittance (%)	$\tau_{uv}$	44	0
Light	Transmittance for standard illuminant D65 (%)	$\tau_v$	82	81
	Reflectance for standard illuminant D65 (%) <sup>(*)</sup>	$\rho_v$	12	12
	Reflectance for standard illuminant D65 (%) <sup>(**)</sup>	$\rho_v$	12	12
	General colour rendering index (%)	$R_a$	98	98
Energy	Solar direct transmittance (%)	$\tau_e$	58	53
	Solar direct reflectance (%) <sup>(*)</sup>	$\rho_e$	28	28
	Solar direct reflectance (%) <sup>(**)</sup>	$\rho_e$	27	23
	Solar direct absorption (%) <sup>(*)</sup>	$a$	14	19
	Total solar energy transmittance (Solar Factor) EN410 (%) <sup>(*)</sup>	$g$	64	64
	Shading coefficient (+g_DIN/0.87) <sup>(*)</sup>	$sc$	0.74	0.73

(\*) Incident Radiation from the outside    (\*\*) Incident Radiation from the inside

**Technical Information**

Window Type	Window Size	External Plasterboard (mm)		External Frame Size (mm)		Glazing Size (mm)		Visible Glazing Size (mm)		Internal Plasterboard (mm)		Natural Daylight Area (m <sup>2</sup> )	Opening Size Required (mm)	
		W	H	W	H	X	Y	A	B	P1	P2		W	H
SKF	01	530	760	550	780	467	694	442	672	480	714	0.297	590	820
SKF	02	530	960	550	980	467	894	442	872	480	914	0.385	590	1,020
SKF	01C	530	1160	550	1180	467	1094	442	1072	480	1114	0.474	590	1,220
SKF	03	640	1160	660	1180	577	1094	552	1072	590	1114	0.592	700	1,220
SKF	04	760	960	780	980	697	894	672	872	710	914	0.586	820	1,020
SKF	05	760	1160	780	1180	697	1094	672	1072	710	1114	0.720	820	1,220
SKF	06	760	1380	780	1400	697	1314	672	1292	710	1334	0.868	820	1,440
SKF	07F	920	1380	940	1400	857	1314	832	1292	870	1334	1.075	980	1,440
SKF	07	920	1580	940	1600	857	1514	832	1492	870	1534	1.241	980	1,640
SKF	08	1120	1160	1140	1180	1057	1094	1032	1072	1070	1114	1.106	1180	1,220
SKF	09	1320	860	1340	980	1257	894	1232	872	1270	914	1.074	1380	1020
SKF	10	1320	1380	1340	1400	1257	1314	1232	1292	1270	1334	1.592	1380	1440

**Cross Sections**



**GB**  
Unit 3 Gateway Road, Burton Gateway,  
Burton upon Trent, DE13 8FL

T: +44 (0) 1283 200 158  
E: info@keyliteuk.com

**NI & ROI**  
Derryloran Industrial Est. Sandholes Road,  
Cookstown, Co. Tyrone, BT80 9LU

T: +44 (0) 28 8675 8921  
E: info@keylite.co.uk