

# Vertical Bi-Lite Window Systems

The Keylite Vertical Bi-Lite is a vertical window combined with a Keylite Roof Window to produce an attractive glazing feature.



## Features

- ▶ **Complete Kit** - Within the Keylite Vertical Bi-Lite System the following are included:
  - ▶ Vertical element and application of your choice.
  - ▶ All associated Vertical Bi-Lite flashings required.
  - ▶ Roof windows of your choice.
- ▶ **Operation** - The vertical element is opened with a handle at the top or side of the sash depending on the application required. The Roof Windows can be operated manually or alternatively with Keylite Electric Operation.
- ▶ **Appearance** - Seamless combination at eaves level due to Keylite's unique flashing.
- ▶ **Flexibility** - The Keylite Vertical Bi-Lite System is available throughout the entire Keylite Roof Window range. The Vertical element can be provide fixed shut, tilt only or tilt and turn depending on the application required.

## Application

- ▶ Keylite recommend installing the window so that the top frame is between 1.85 - 2.20m above the floor for ease of operation.
- ▶ For installation of roof windows above 2.2m Keylite also recommend electrical operation and and a laminated inner pane.

## Maintenance

- ▶ The glazing pane of a Keylite Roof Window can be cleaned with a soft, clean cloth/ chamois or non-metal squeegee. Clean water will be sufficient for cleaning the pane. The sash can be rotated through 180° where the outer pane can become available for cleaning once locked in position using the plastic locking mechanism located along the top of the sash.

## Finish Options

- ▶ **Interior** - Pine (T)  
White (W)
- ▶ **Exterior** - Grey




## Installation and Accessory Products

- ▶ **Accessories**
  - 2 metre window pole (WP2)
  - 3 metre window pole (WP3)
  - Premium electric kit (PEK)
  - Standard electric kit (SEK)
  - Opening restrictor (OR)
  - Security lock (SL)
- ▶ **Blinds**
  - Integral Blind (I)
  - Dim out Blind (D)
  - Black out Blind (B)

## Vertical Bi-Lite Sizes and Dimensions

<b>Length of Roof Window(s) (mm)</b>	980, 1180, 1400
<b>Height of Vertical Window(s) (mm)</b>	600, 950
<b>Width of Vertical Bi-Lites (mm)</b>	
Single	780
Double	780
Triple	780
<b>Pitch</b>	Min 20°, Max 55°
Tilt + Turn is only available on 780mm wide, 950mm high vertical windows (single, double & triple)	

For VBL Systems outside the above please contact Keylite Sales Team

	 Single	 Double	 Triple
<b>(nominal) WxH mm</b>	780mm Wide	1570mm Wide	2370mm Wide
<b>PINE FINISH</b>			
<b>H = 600mm tilt only</b>	VBL-780X600-T	DVBL-780X600-T	TVBL-780X600-T
<b>H = 950mm tilt only</b>	VBL-780X950-T	DVBL-780X950-T	TVBL-780X950-T
<b>H = 950mm tilt+turn</b>	VBL-780X950-TT	DVBL-780X950-TT	TVBL-780X950-TT
<b>WHITE FINISH</b>			

To order White Finish please insert the reference "WF" to the code ie. VBL-WF-780X950-TT

**Technical Information**

**Vertical Element Cross Section**

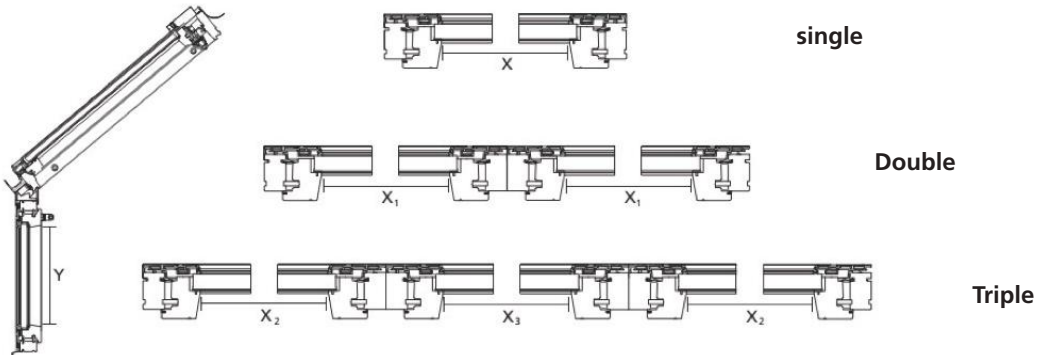
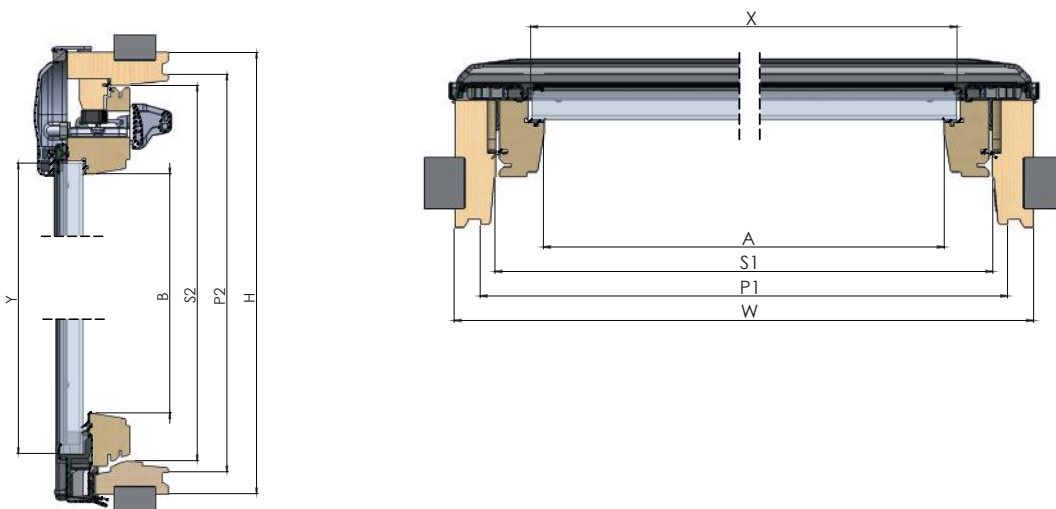


Table to show the visible Glazing, vertical window of a vertical bi-lite

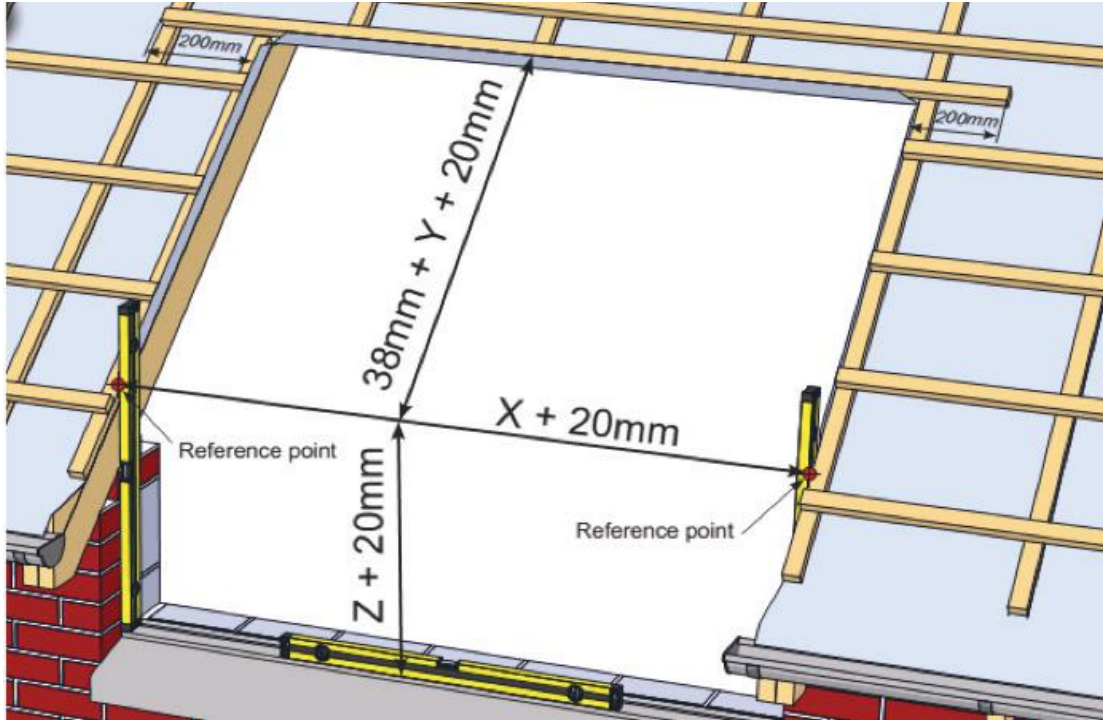
vertical window size	Single		Double		Triple		
	x 200mm	y	y	x <sup>1</sup>	y	x <sup>2</sup>	x <sup>3</sup>
600	565 200mm	385	355 575mm	585	385	595	615
950	565 200mm	735	735 643mm	585	375	595	615

**Roof Window Cross Section**



## Technical Information

### Structural Opening Sizes



#### GB

Unit 3 Gateway Road, Burton Gateway,  
Burton upon Trent, DE13 8FL

T: +44 (0) 1283 200 158  
E: info@keyliteuk.com

#### NI & ROI

Derryloran Industrial Est. Sandholes Road,  
Cookstown, Co. Tyrone, BT80 9LU

T: +44 (0) 28 8675 8921  
E: info@keylite.co.uk