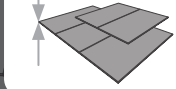




C-SRF 100

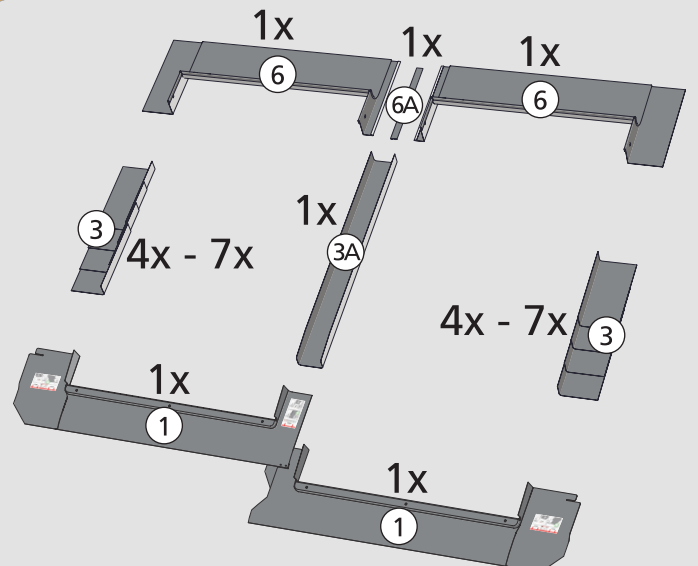
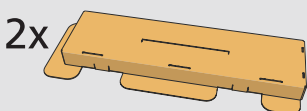
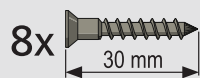
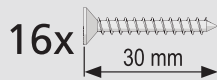
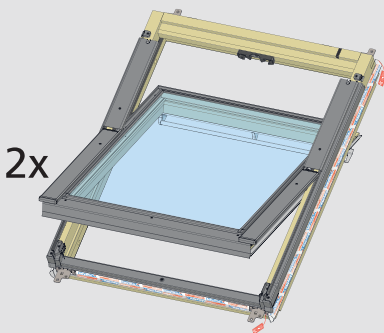
C-SRF 50


3-10 mm

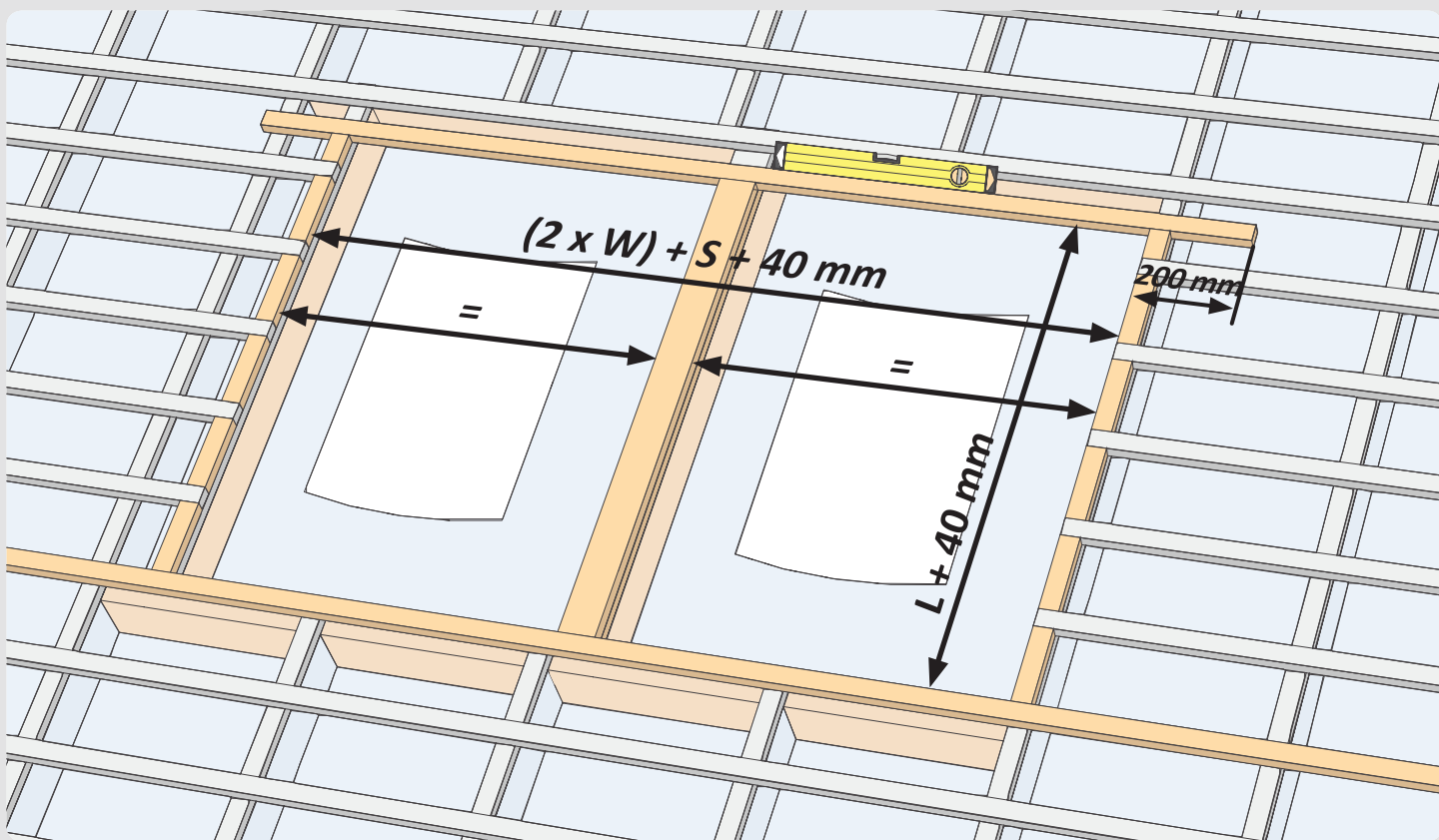
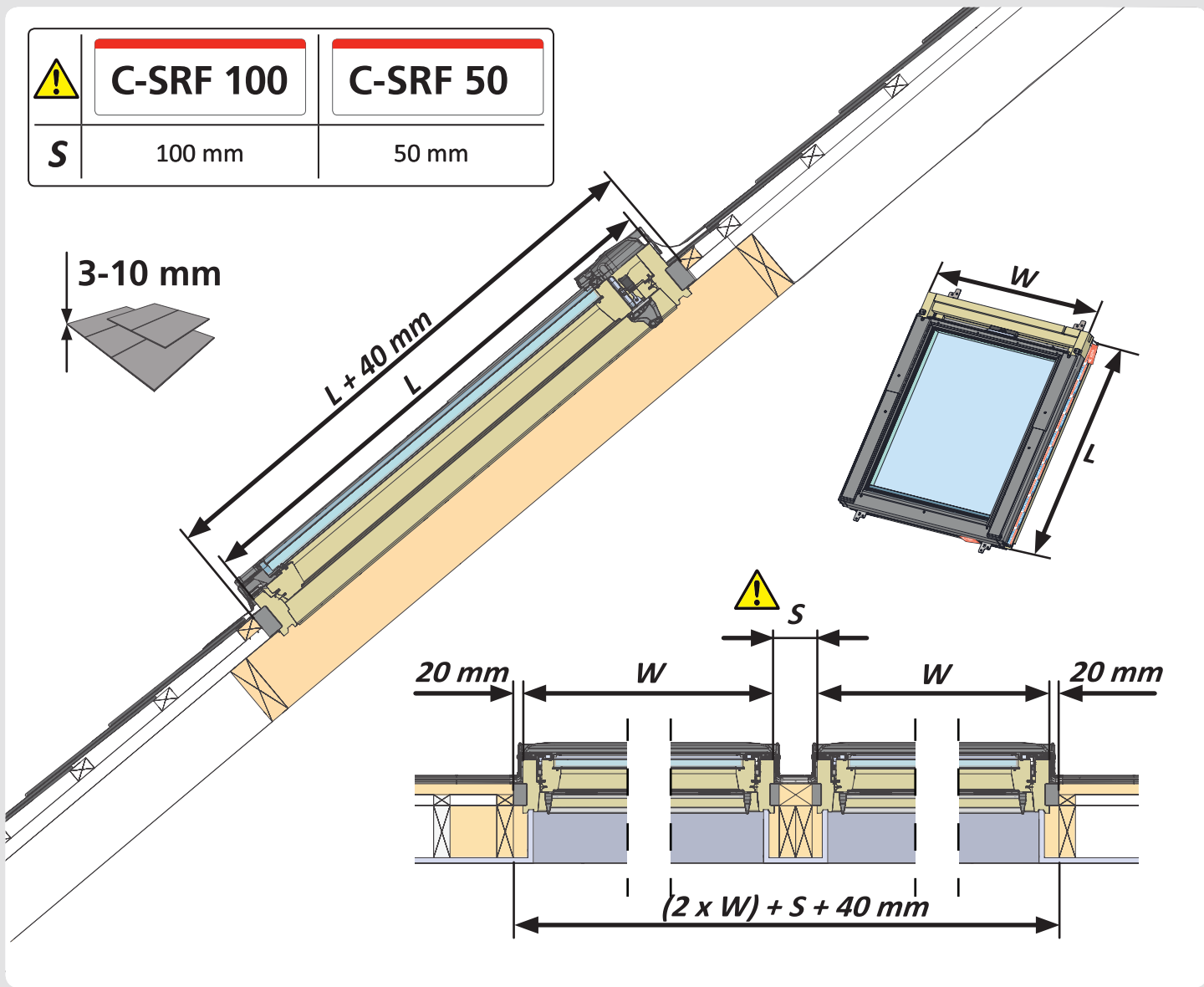


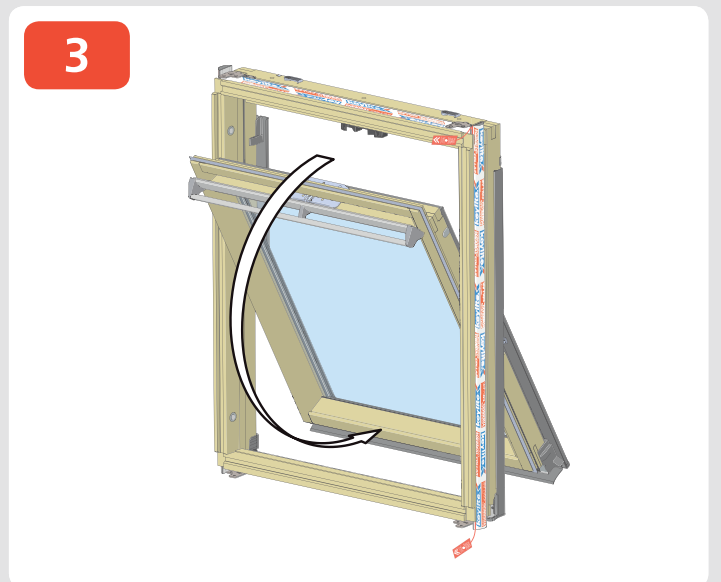
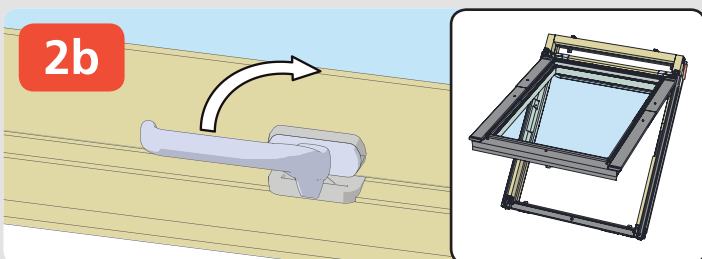
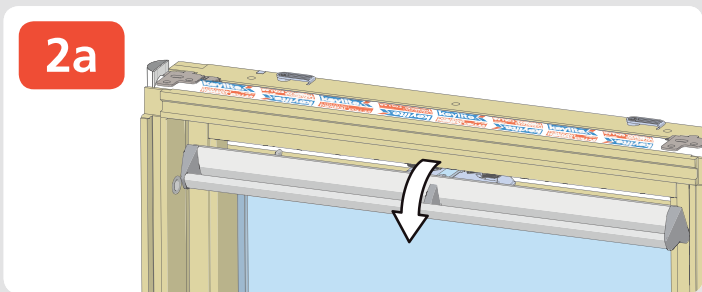
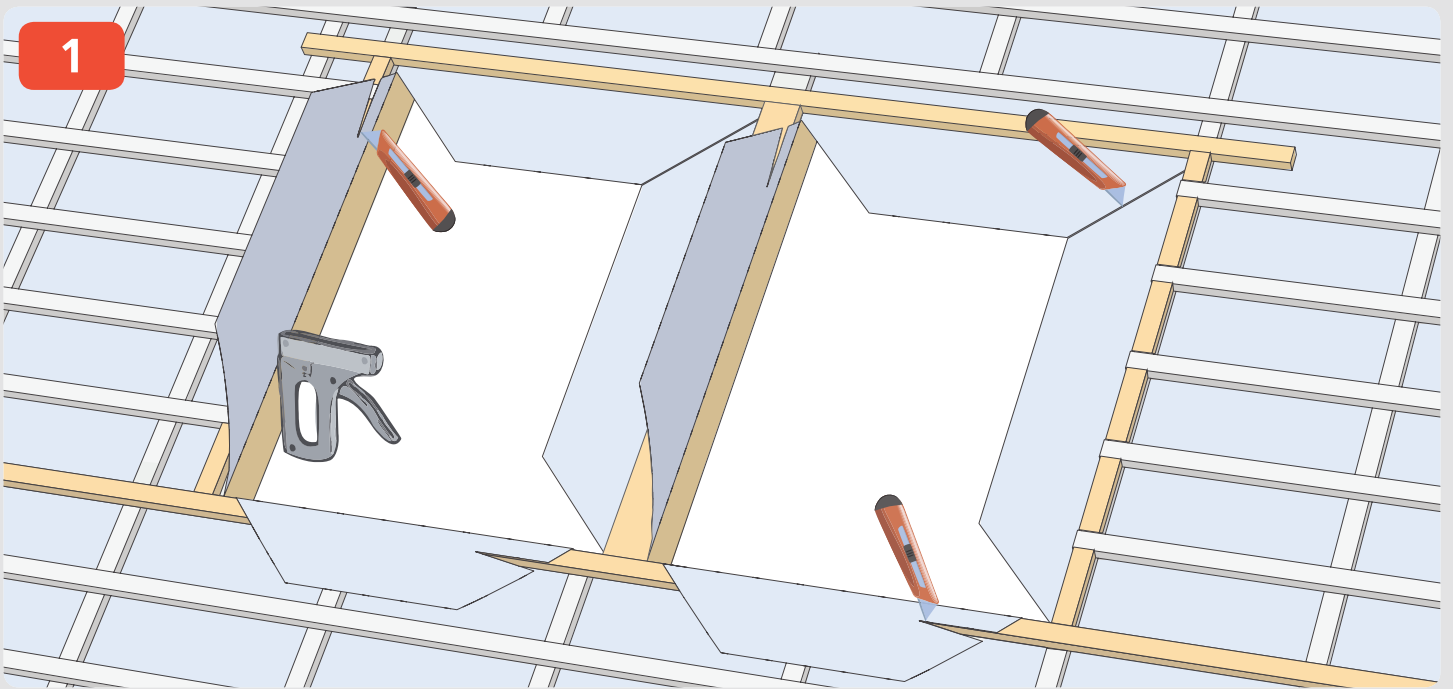
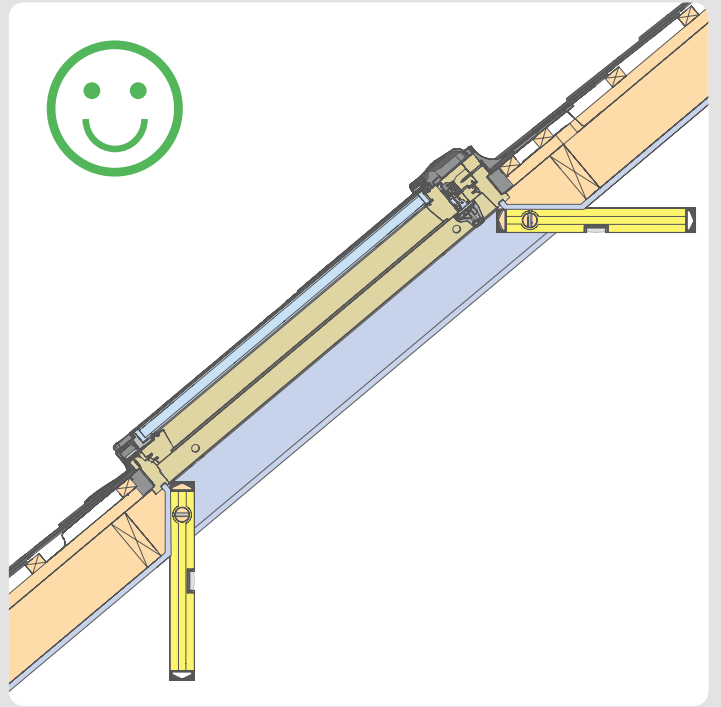
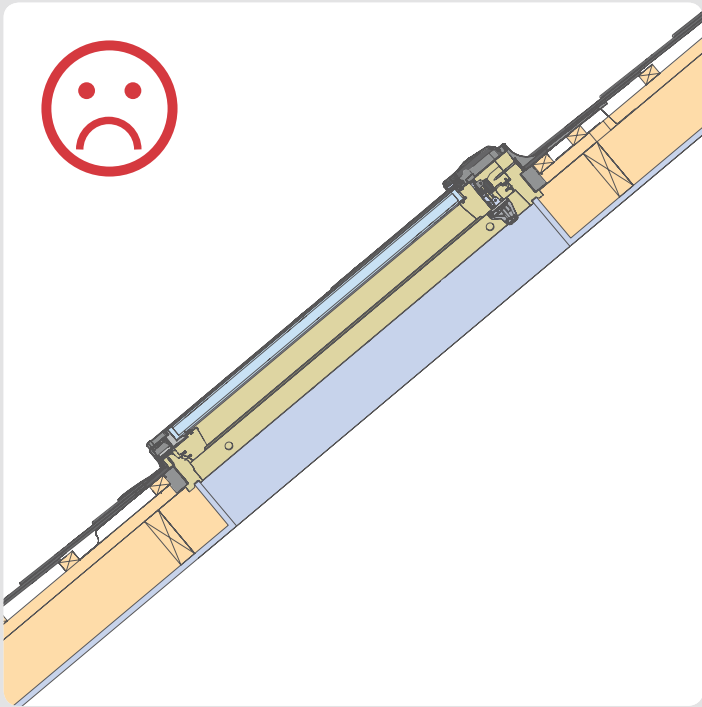
15° - 90°

Futuretherm Technology™

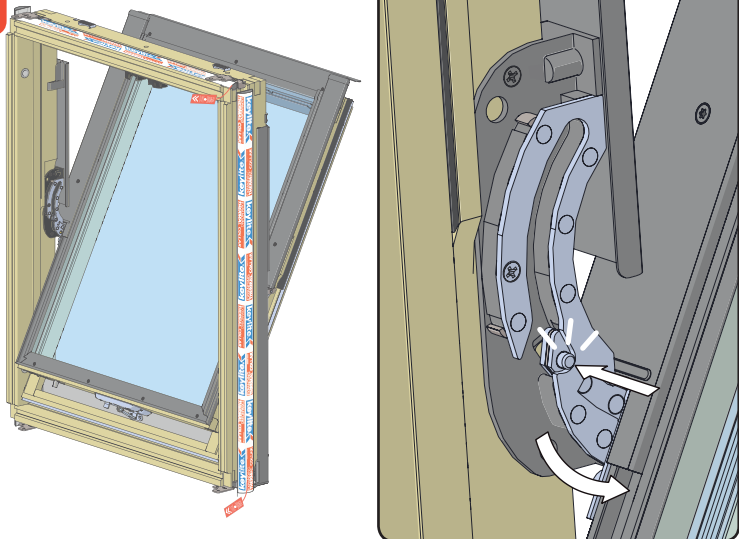


	C-SRF 100	C-SRF 50
	S 100 mm	50 mm

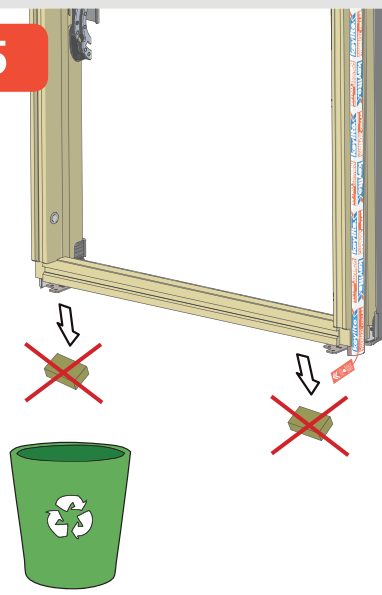




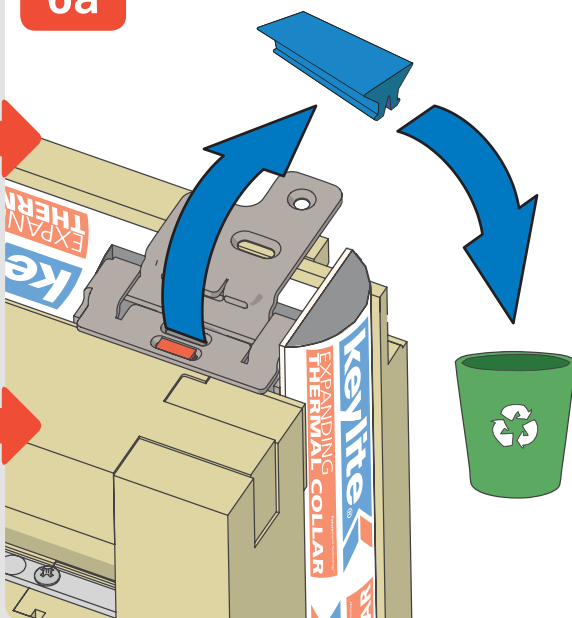
4



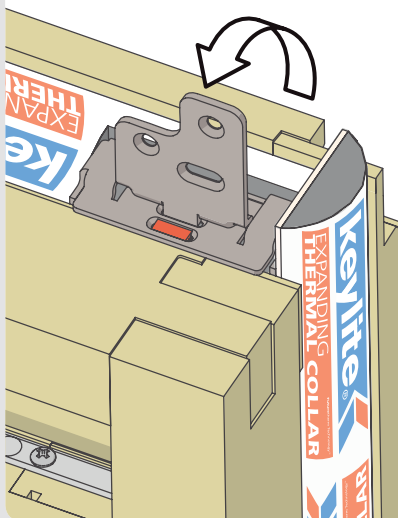
5



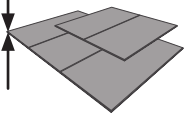
6a



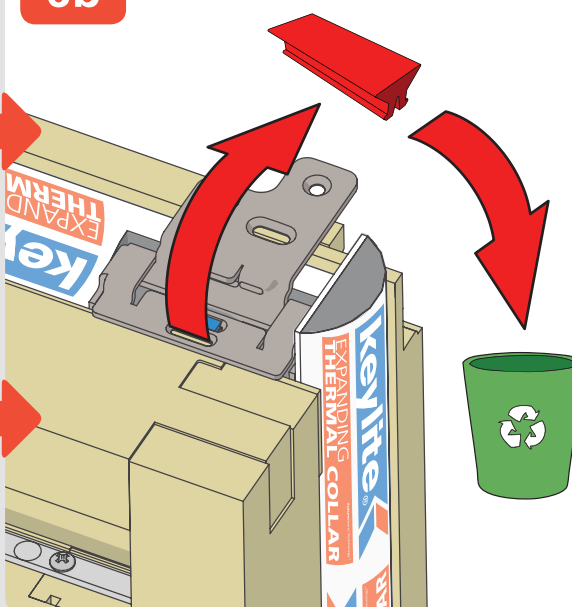
7a



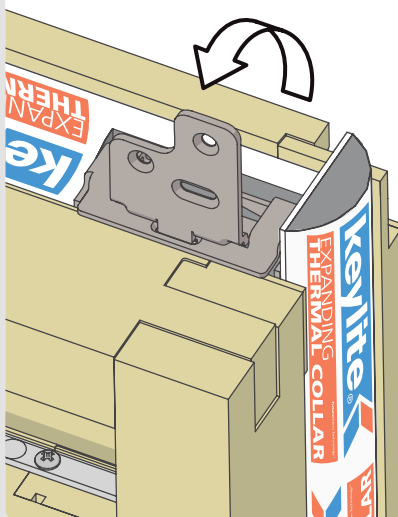
7,8,9,10 mm



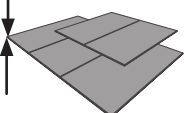
6b



7b

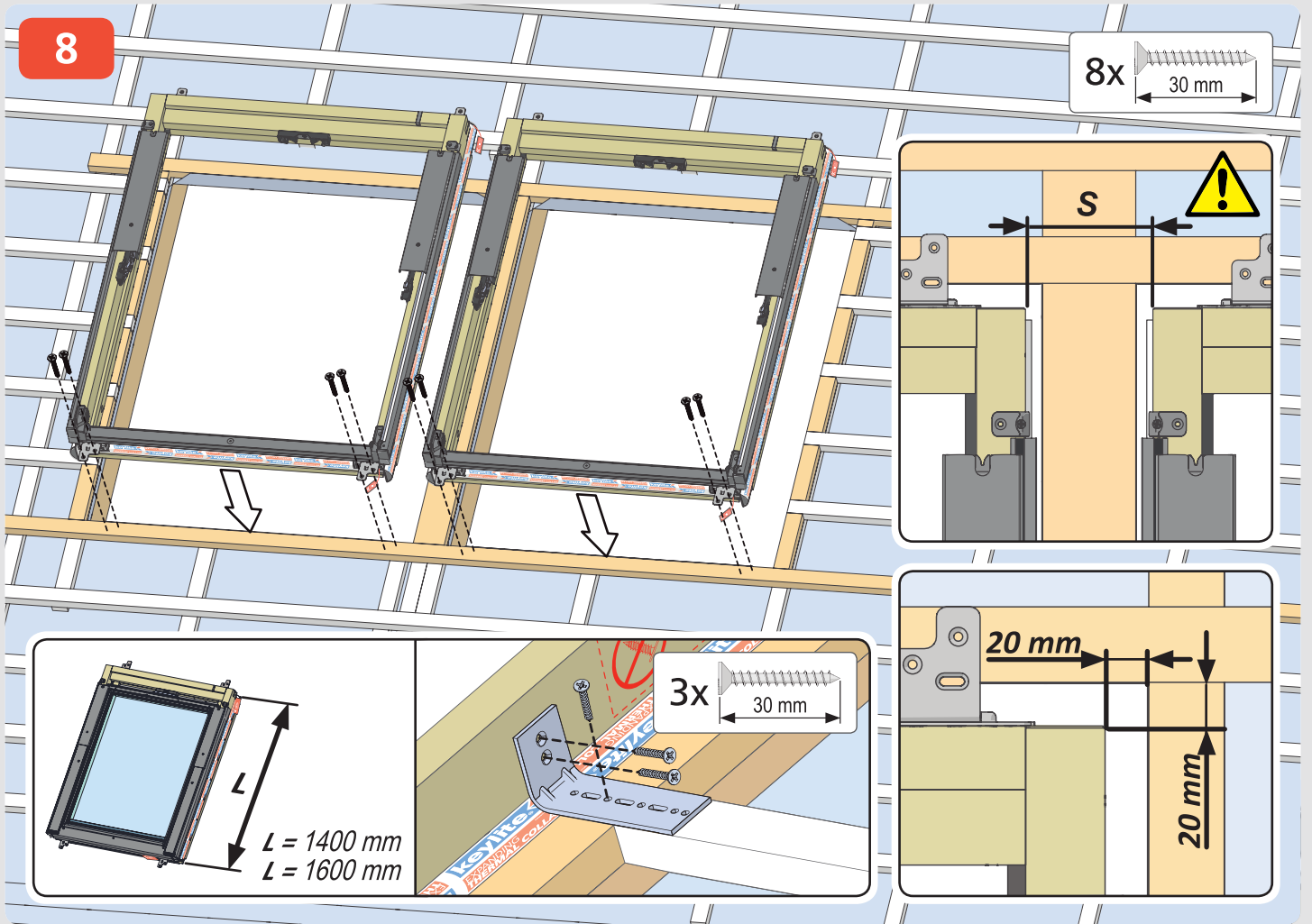


3,4,5,6 mm

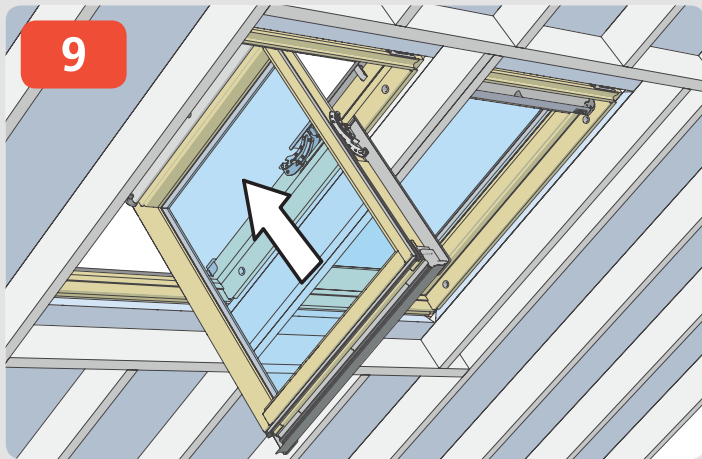


8

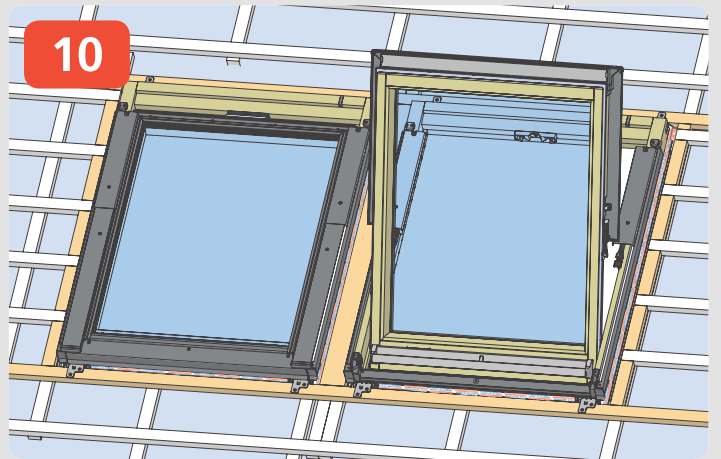
8x 30 mm



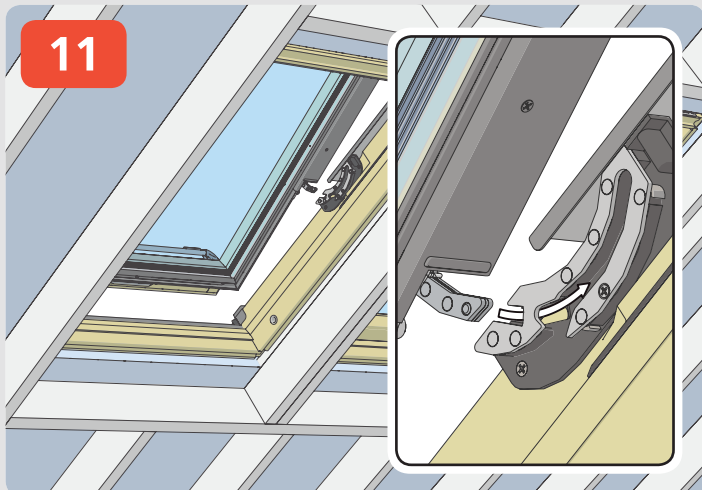
9



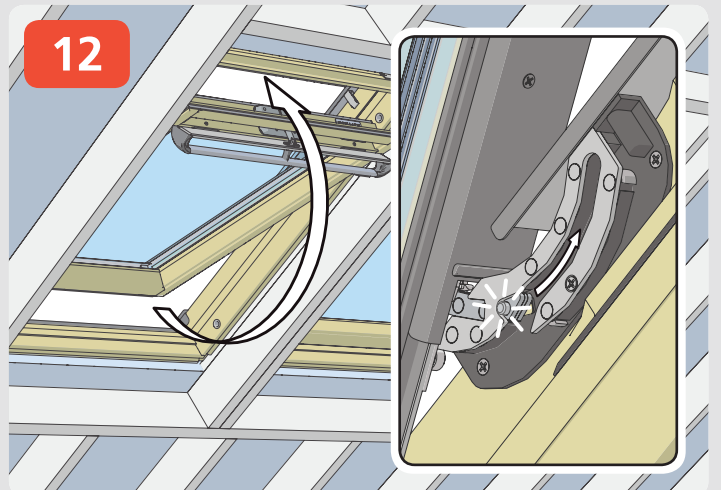
10

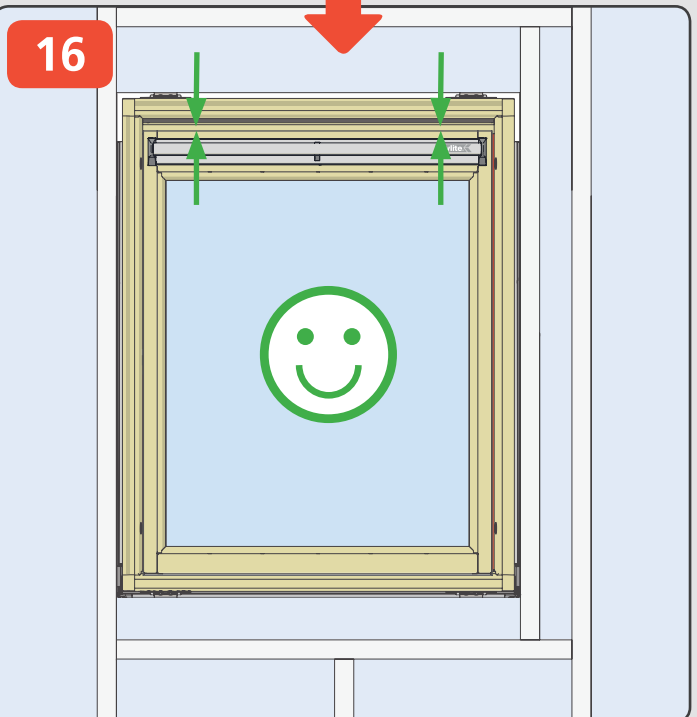
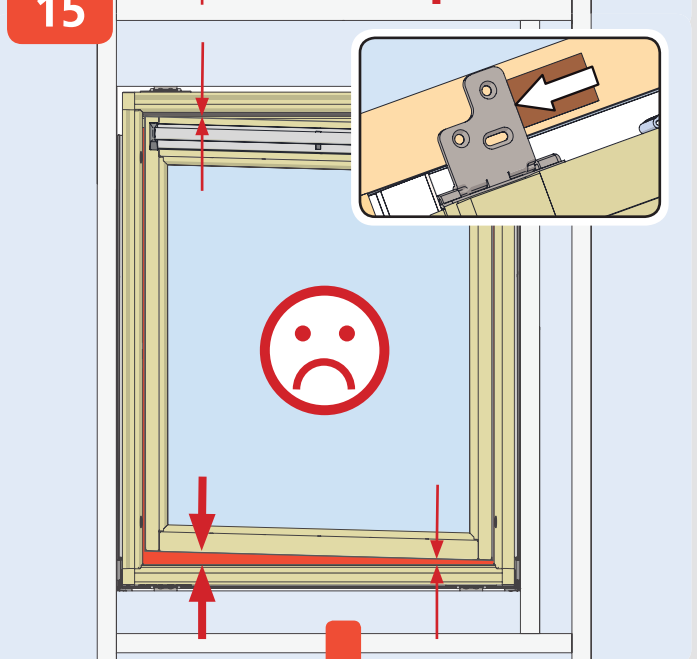
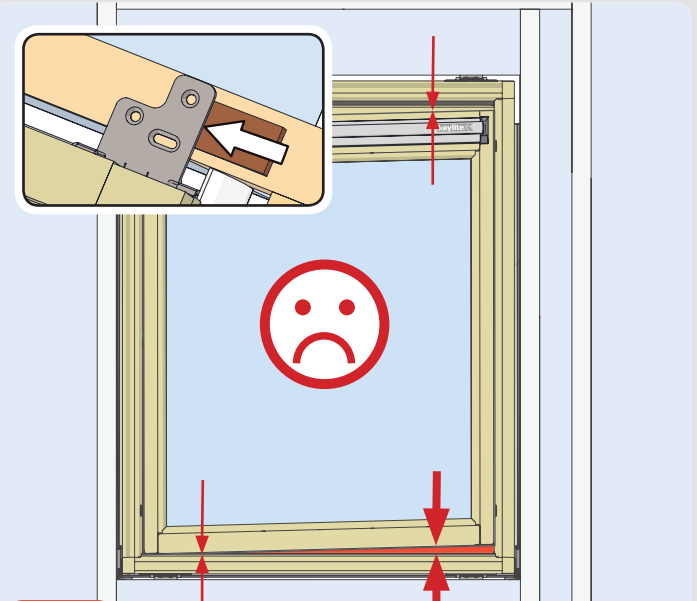
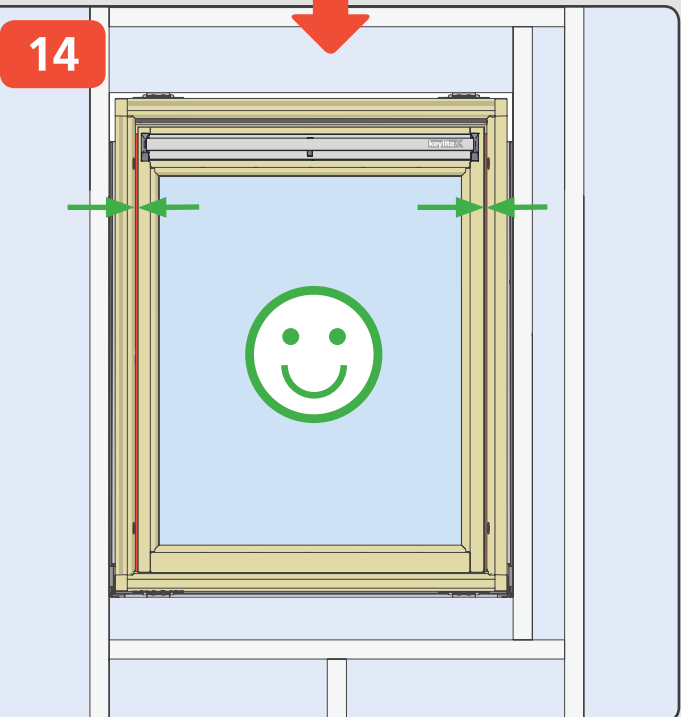
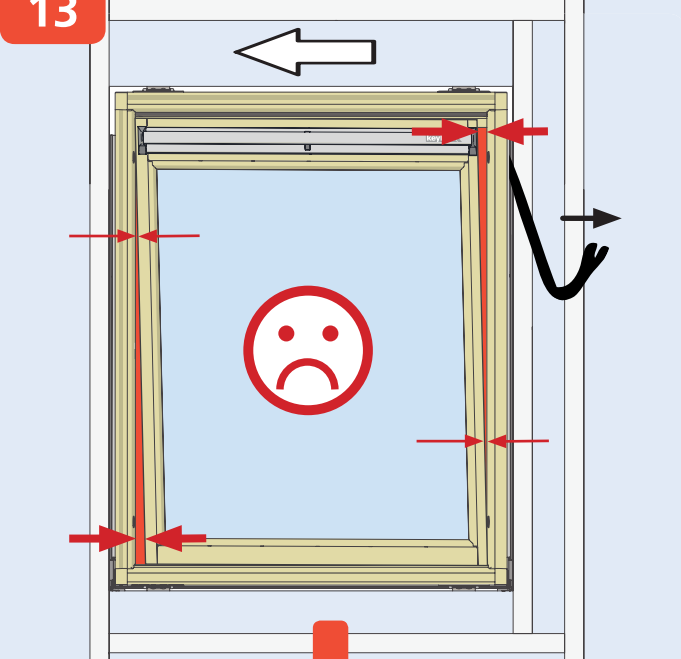
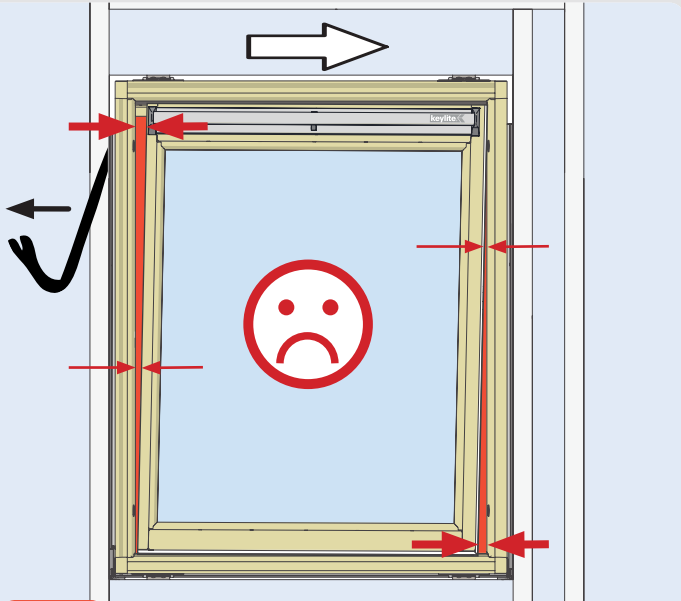


11

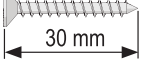


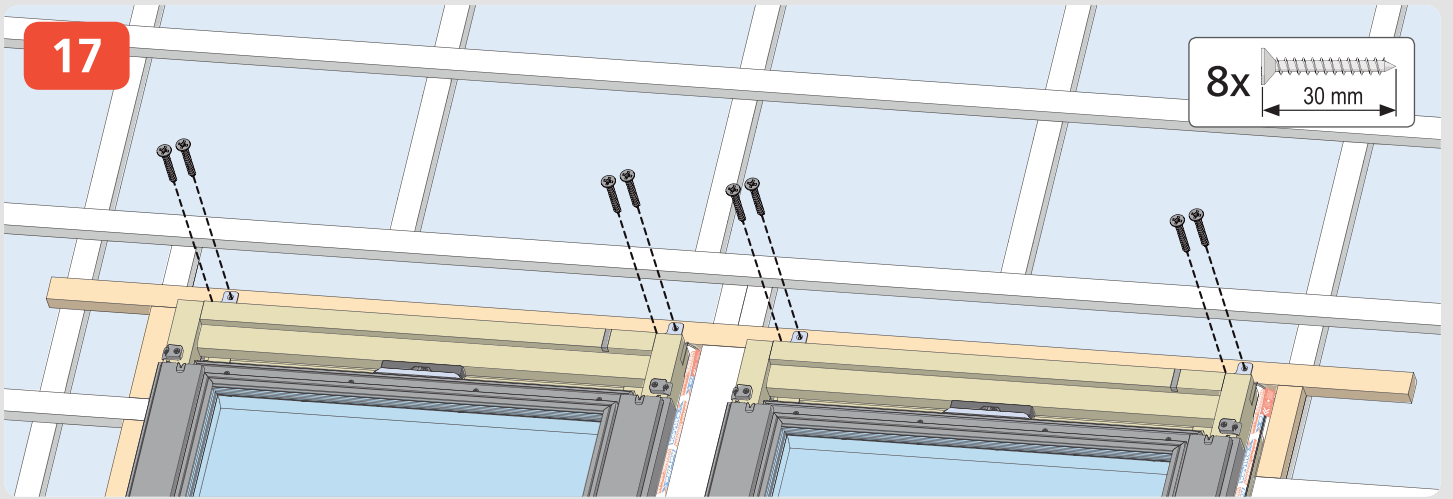
12



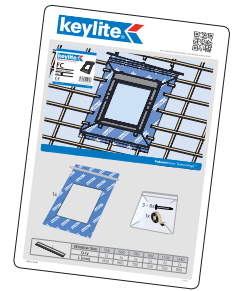
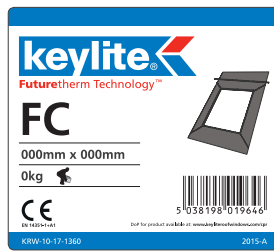
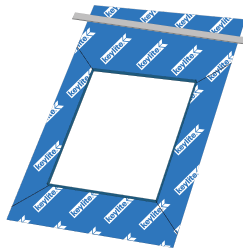


17

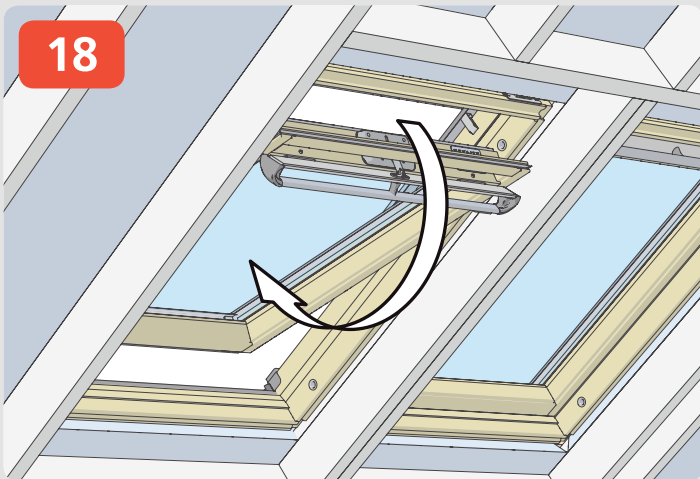
8x  30 mm



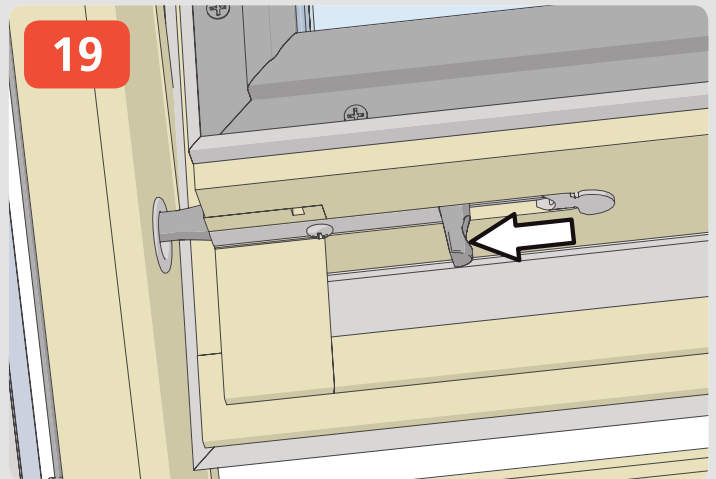
2x



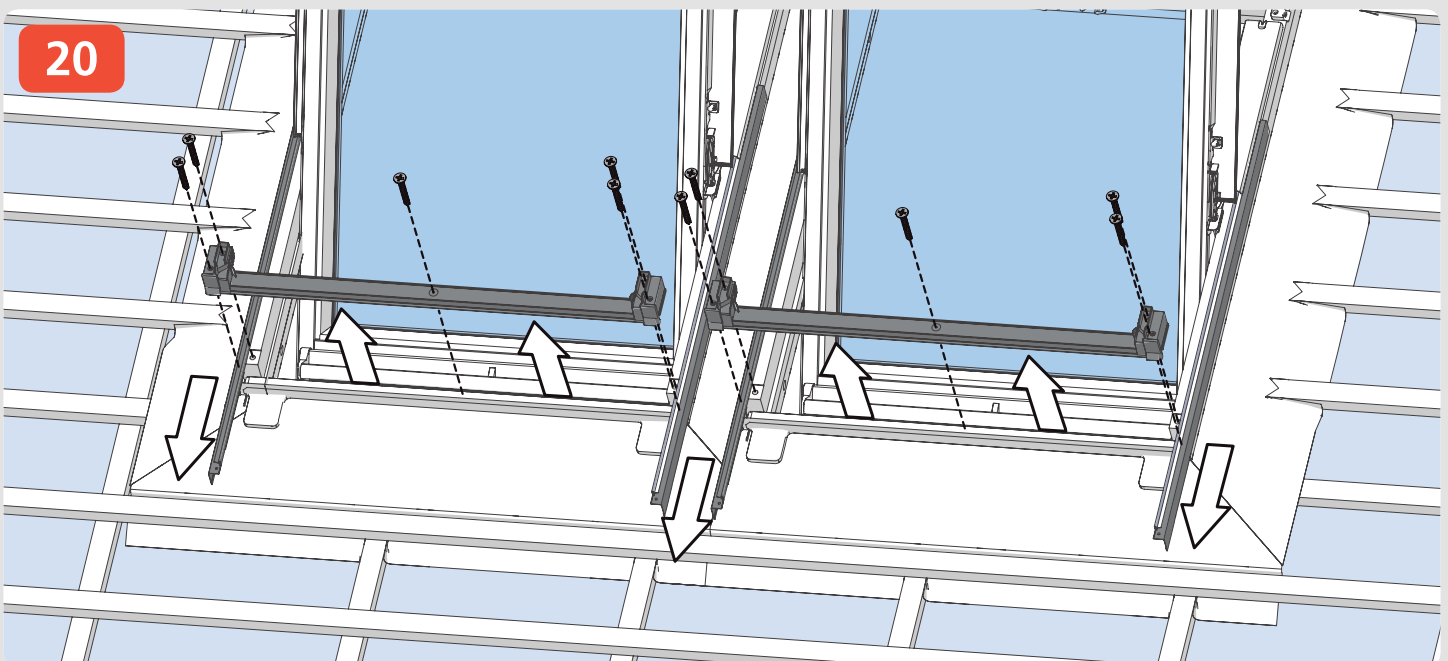
18

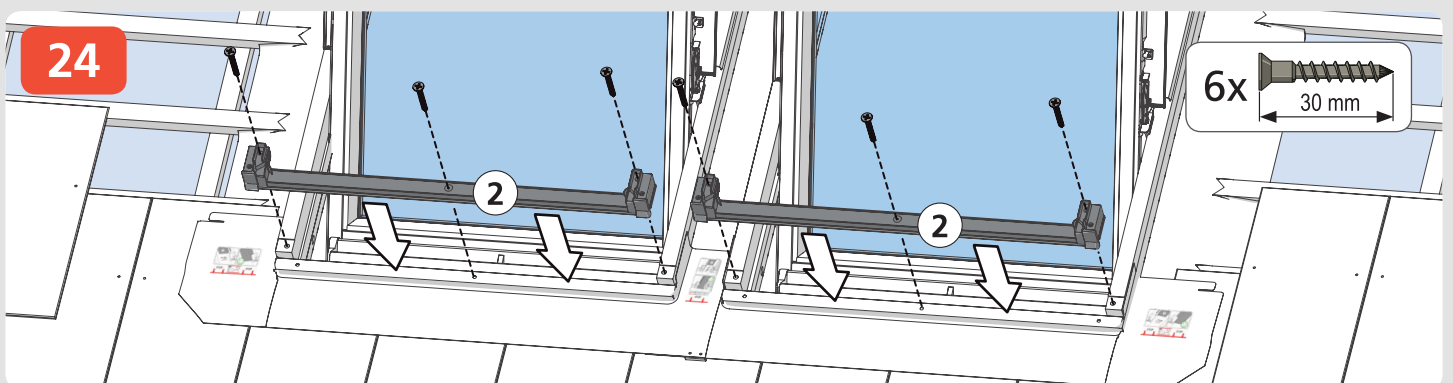
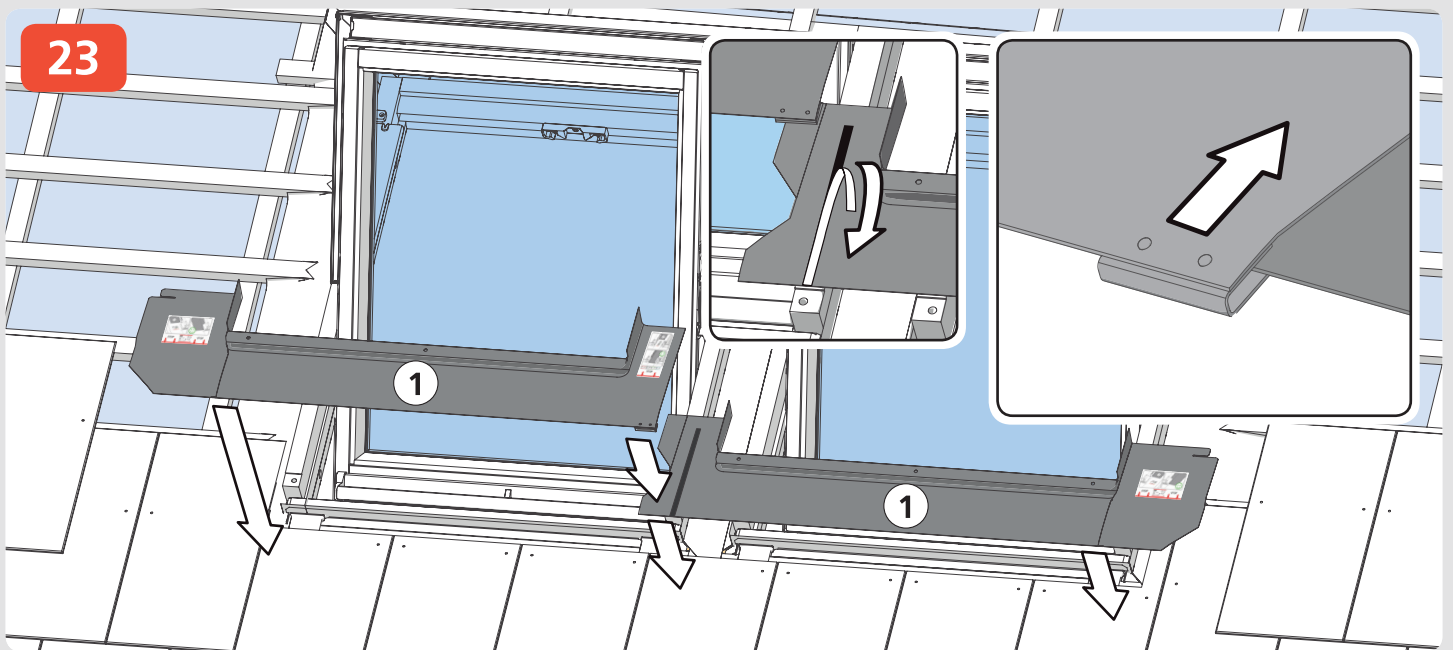
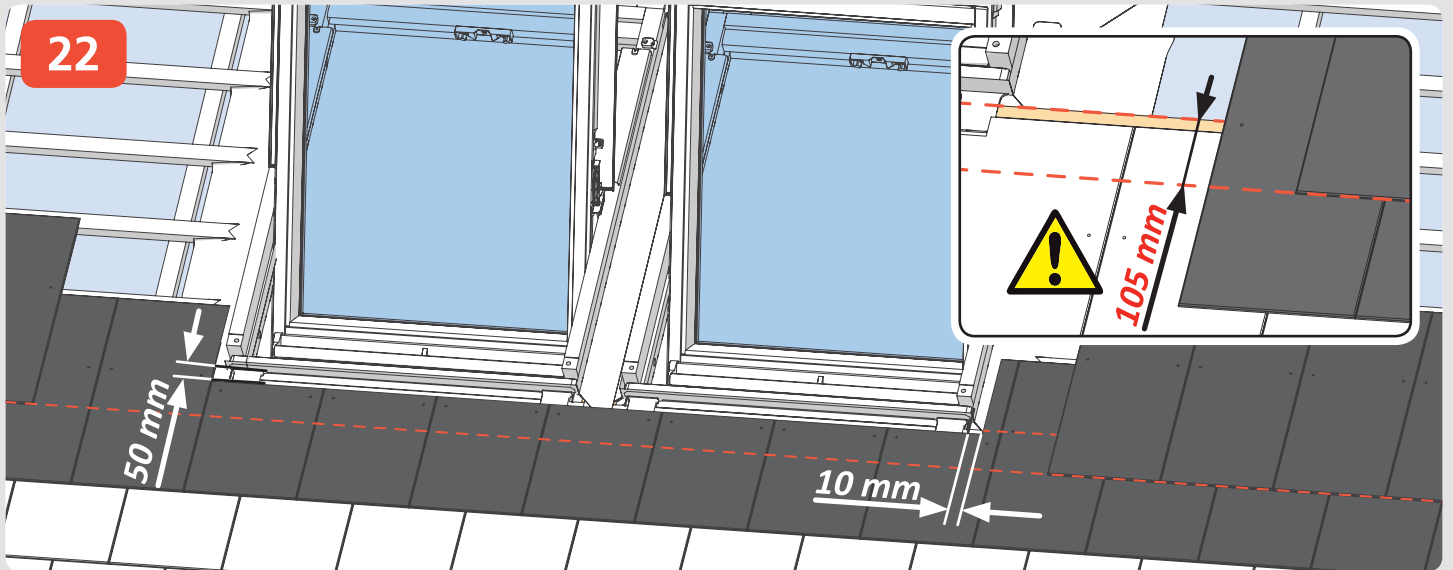
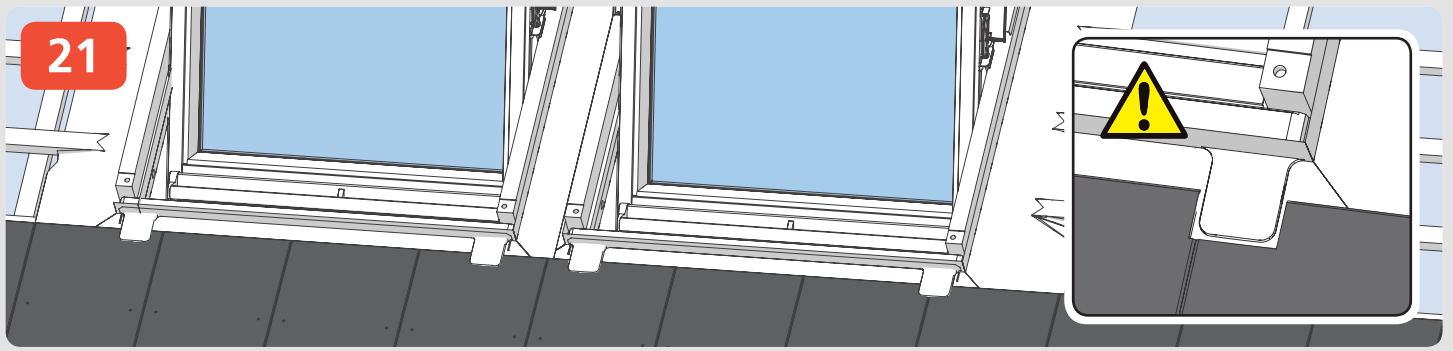


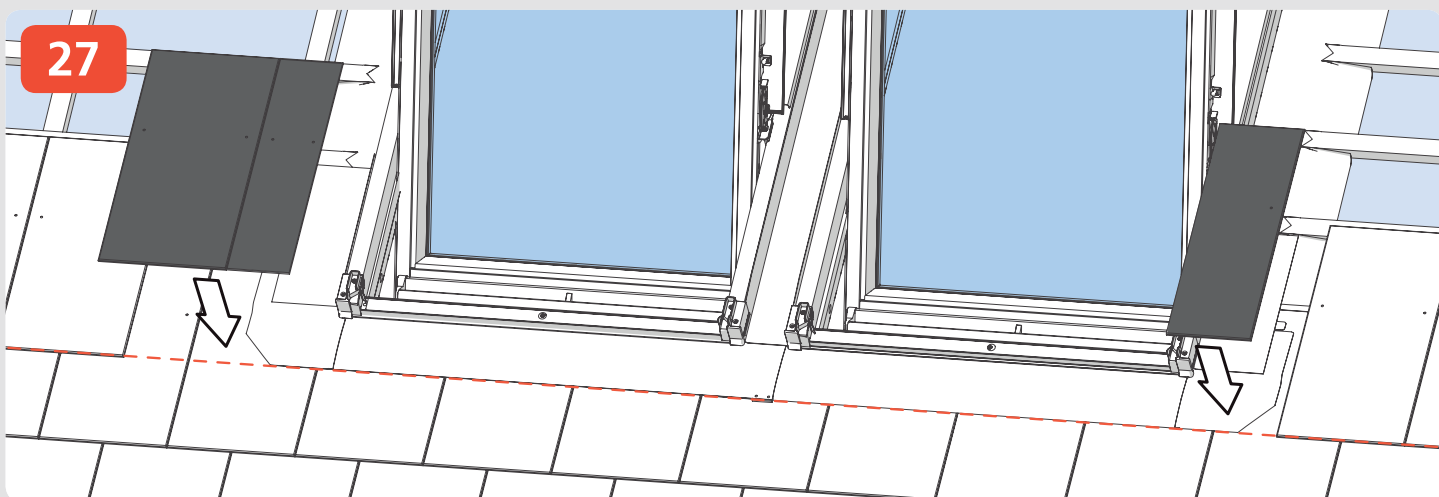
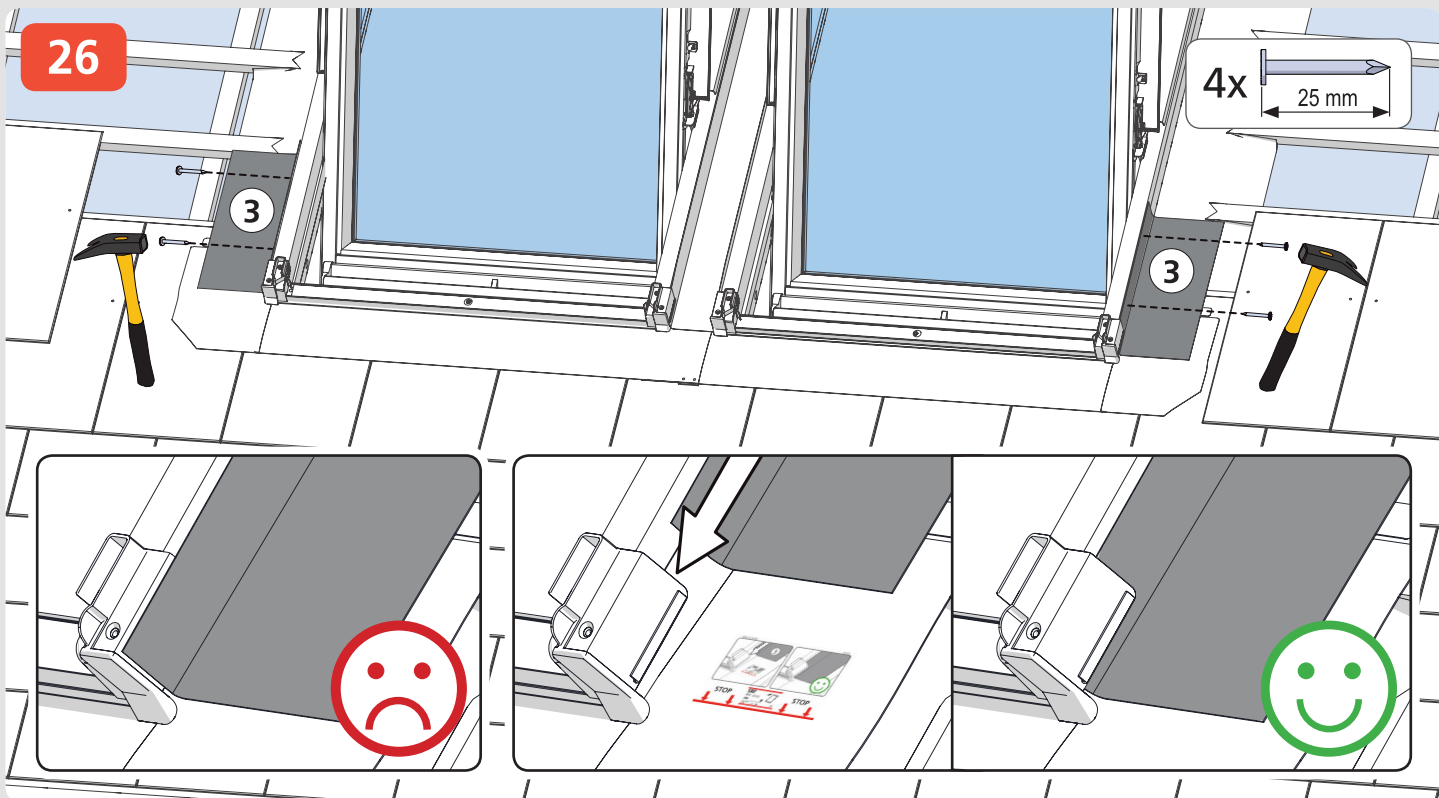
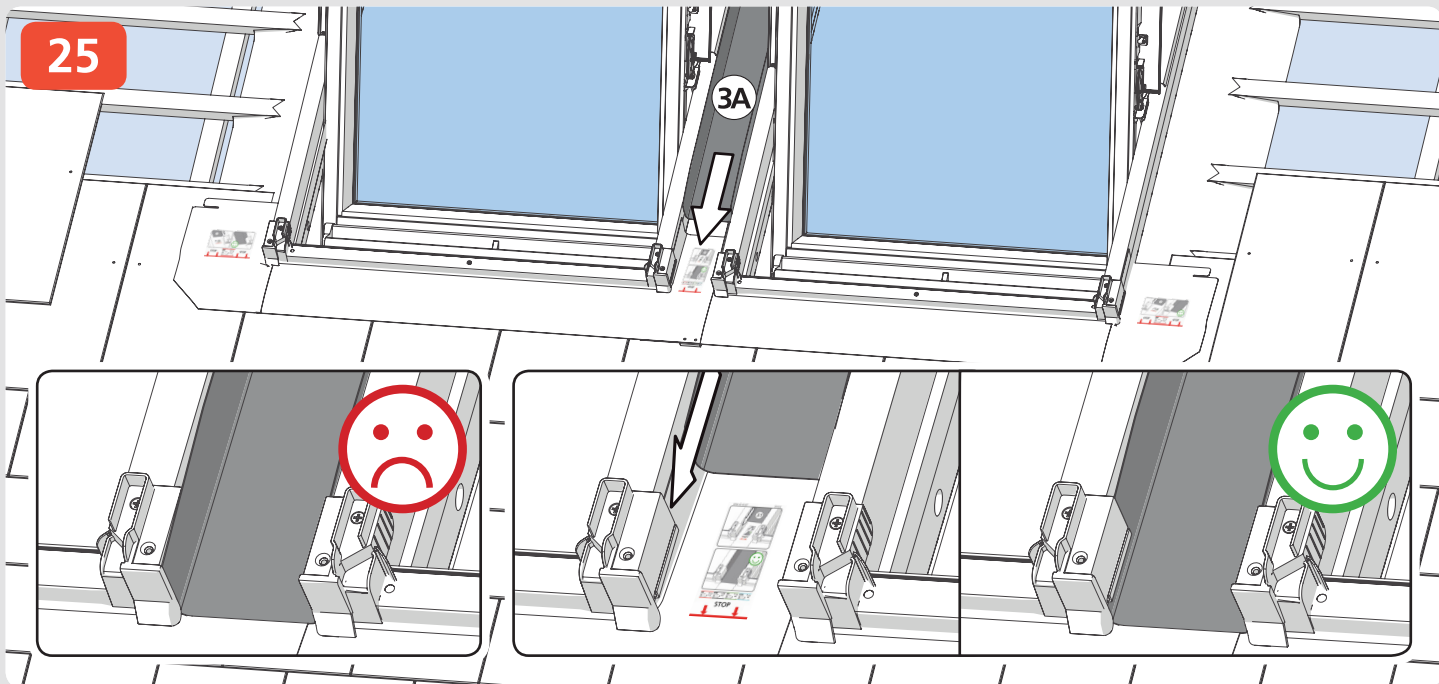
19



20

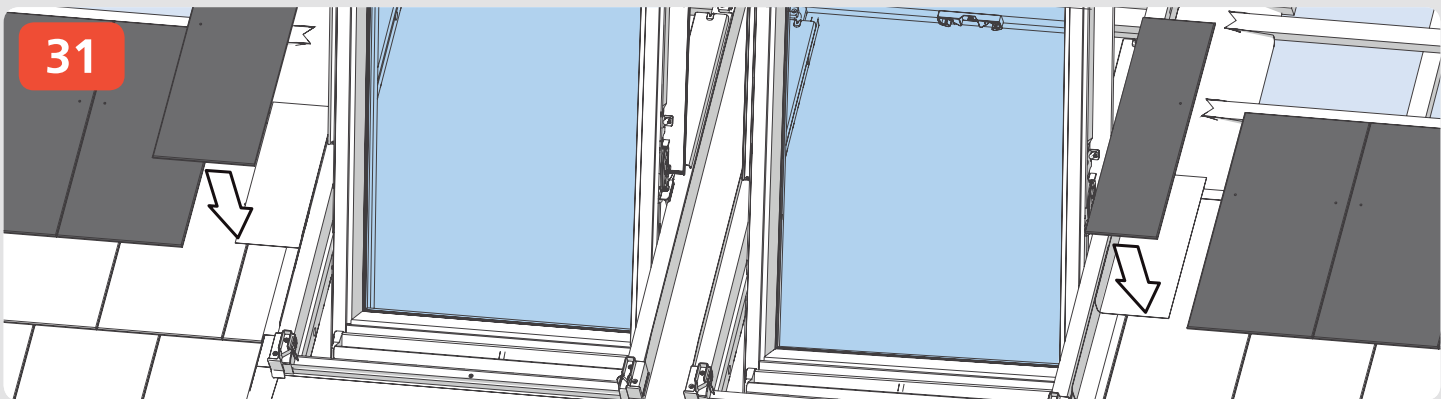
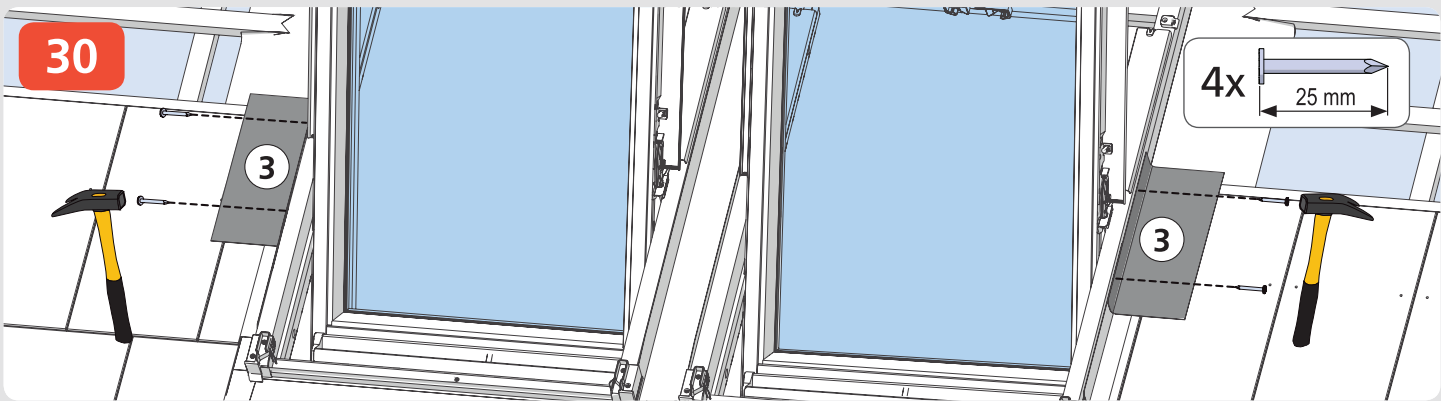
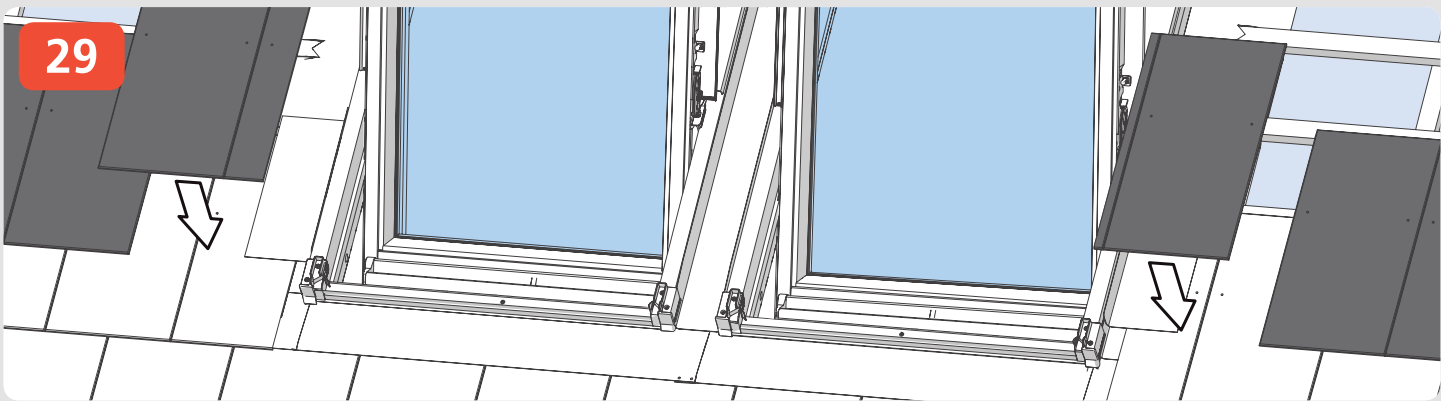
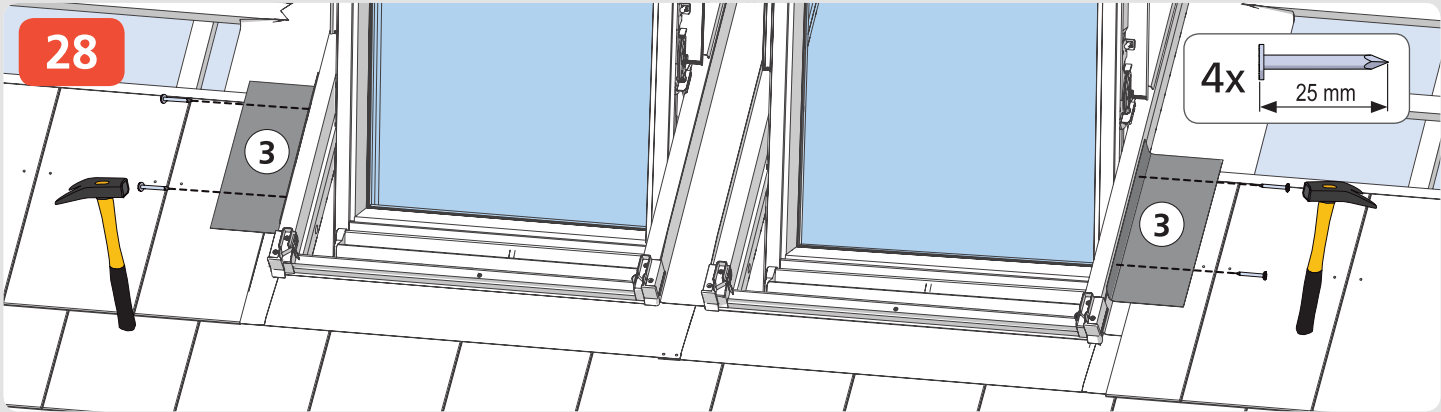
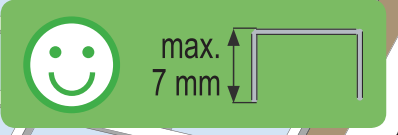
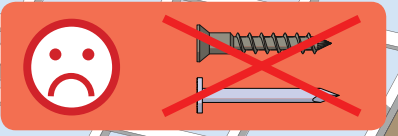
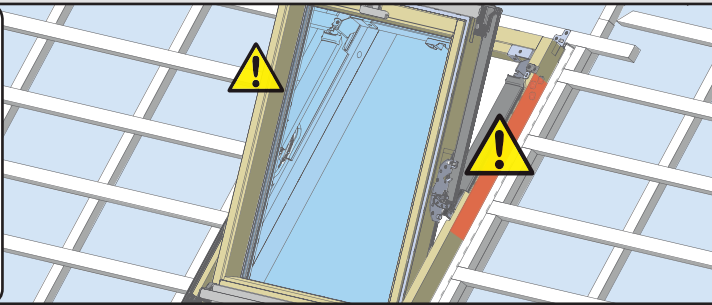


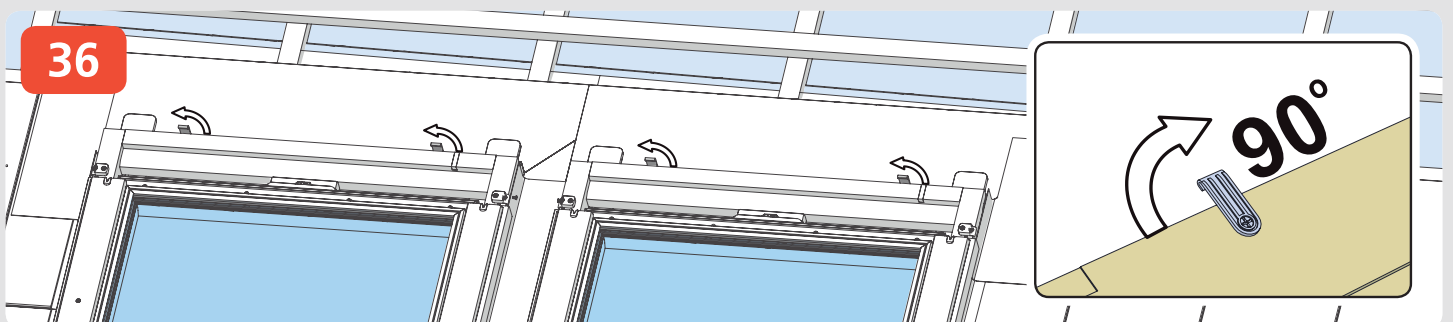
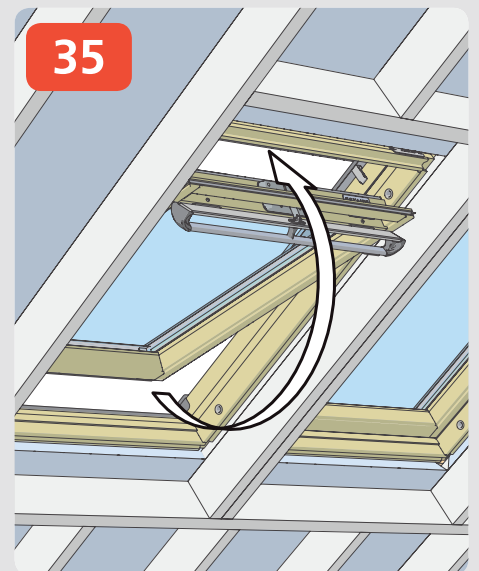
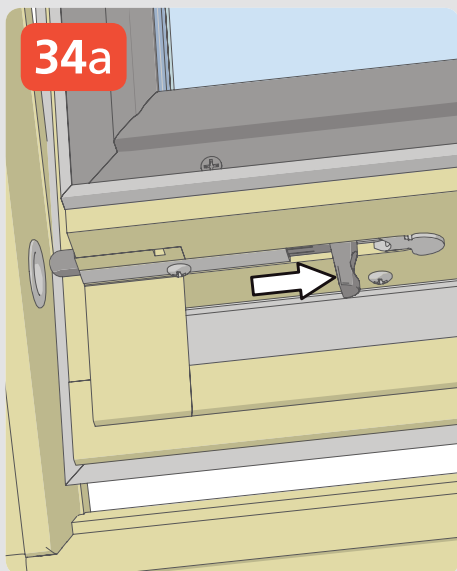
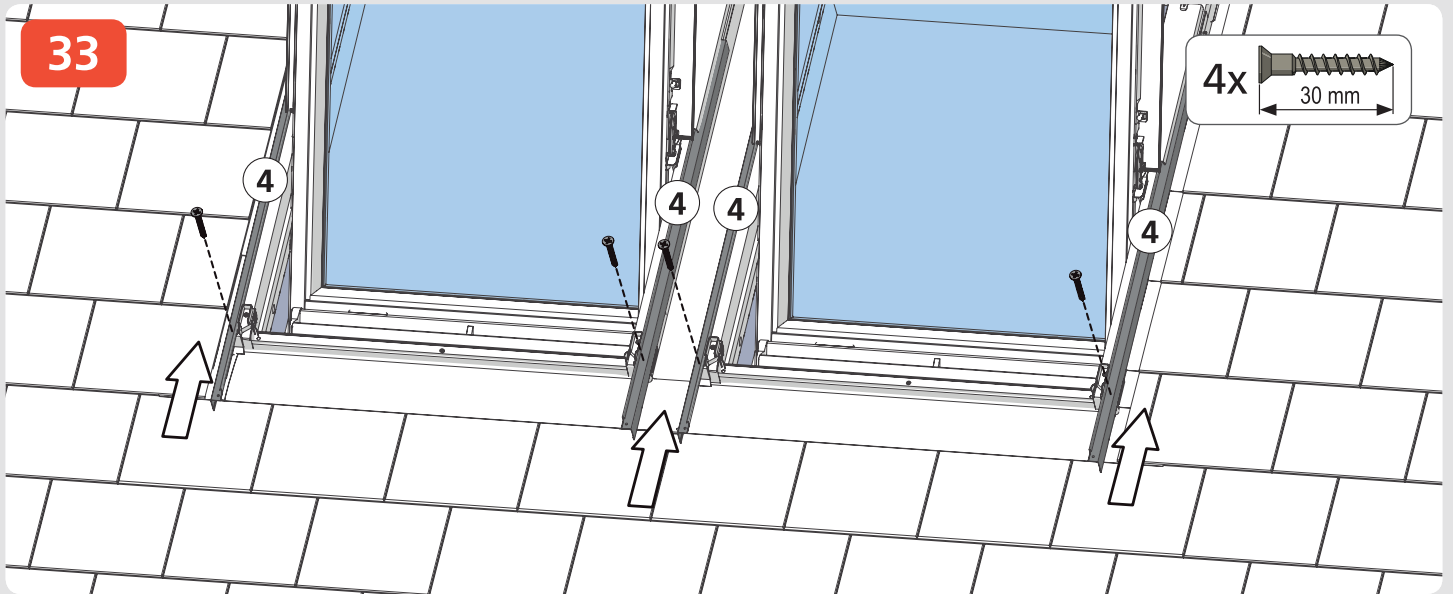
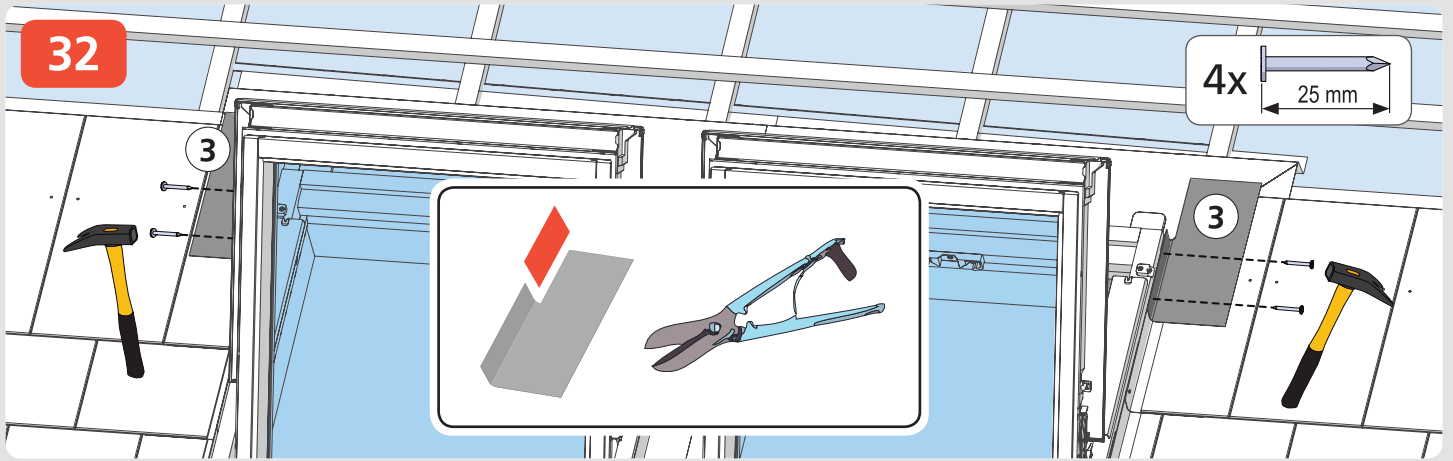




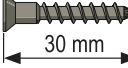


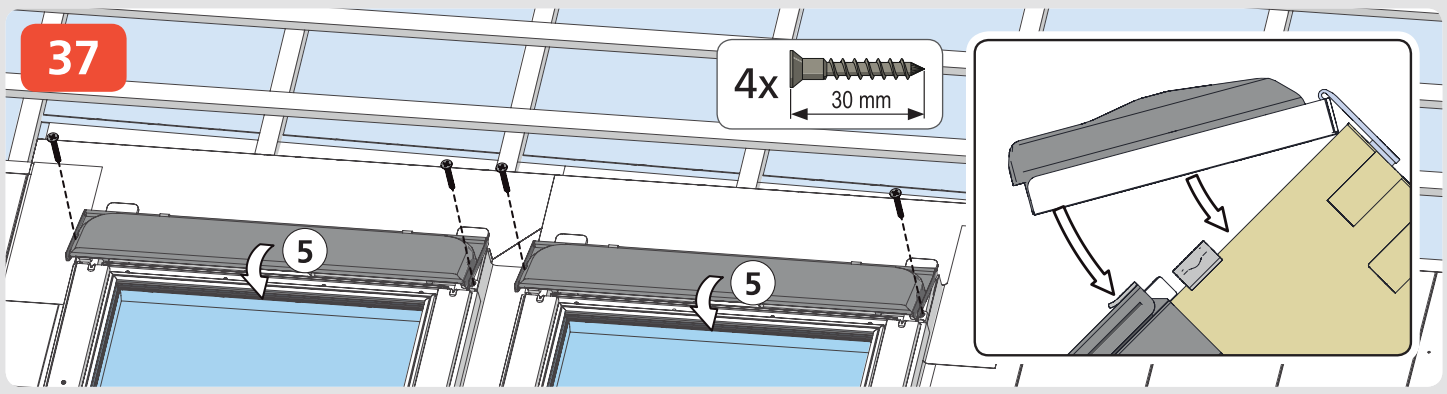
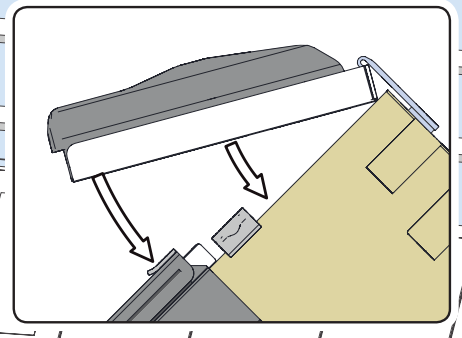
TH/FE






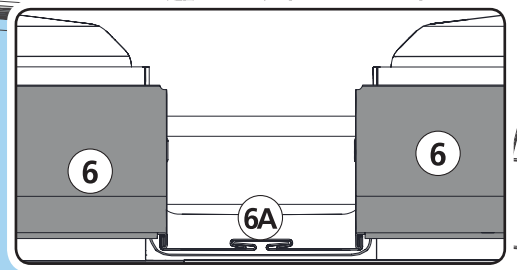
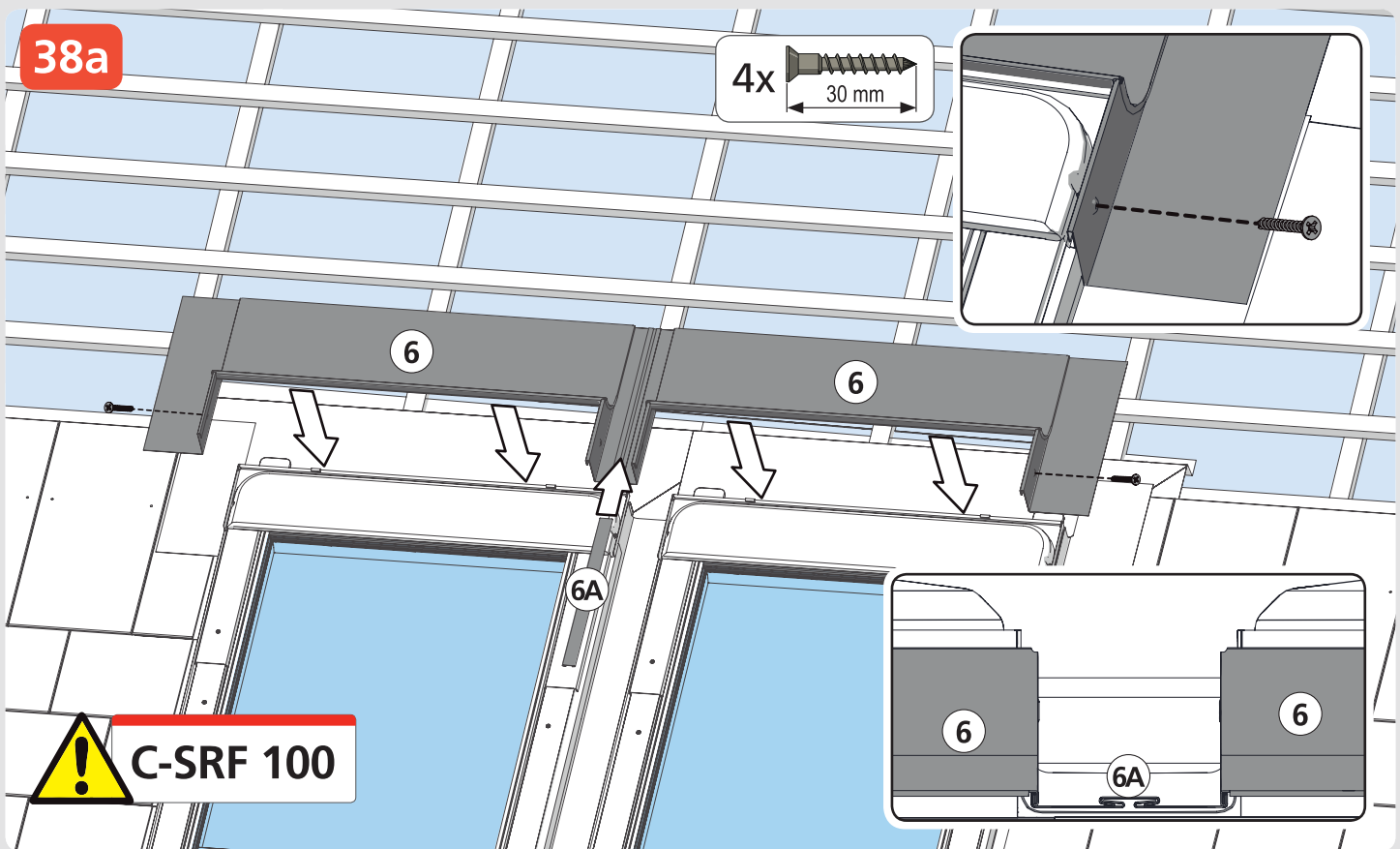
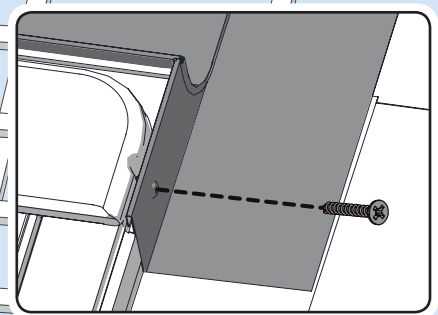
37

4x  30 mm




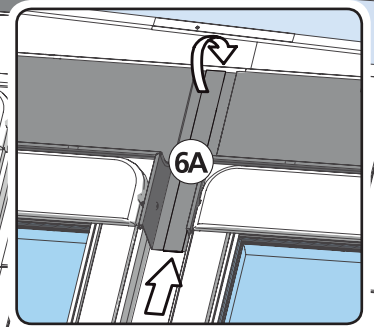
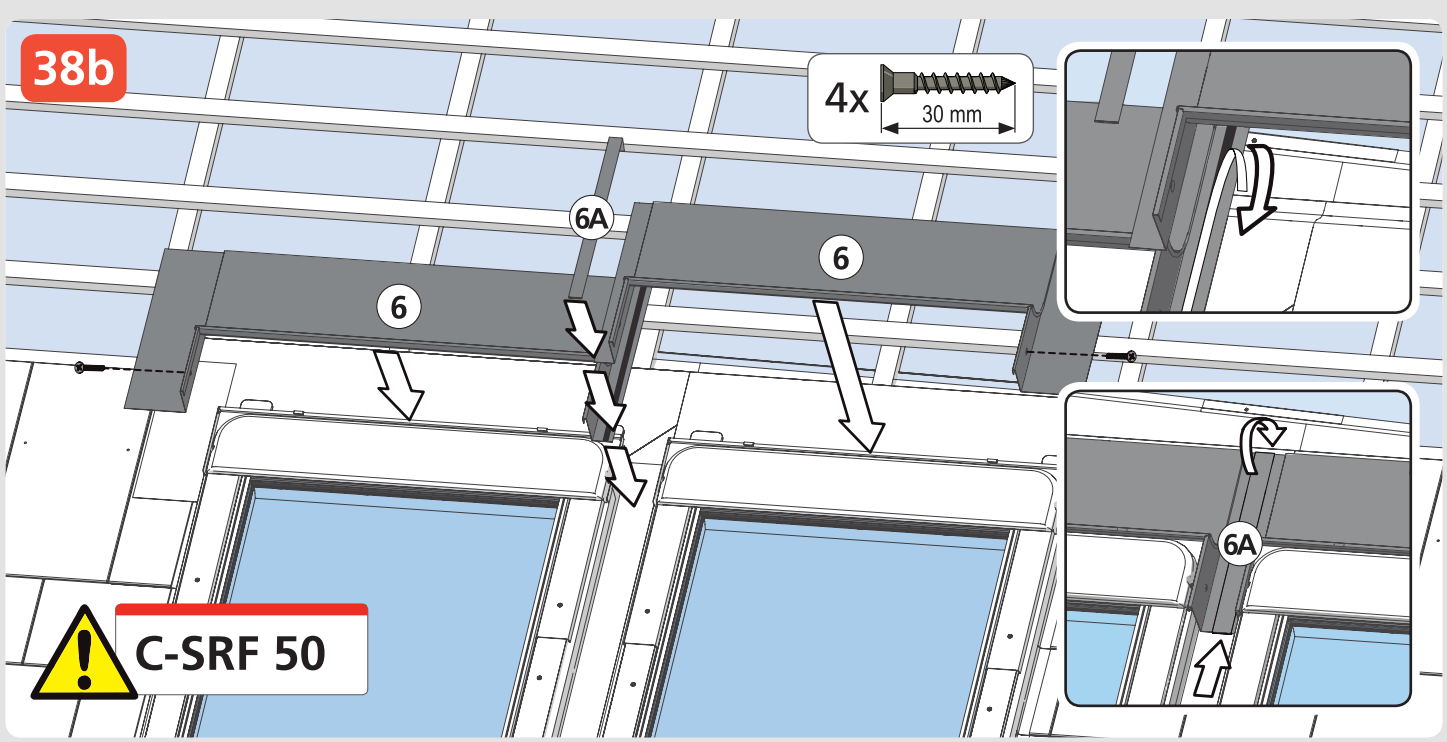
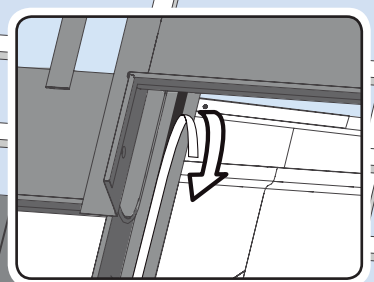
38a

4x  30 mm

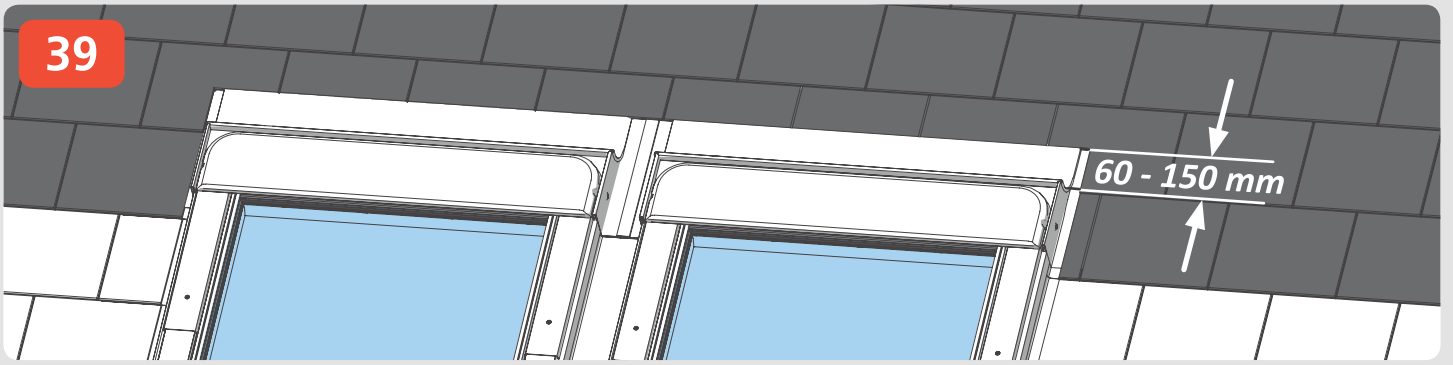


38b

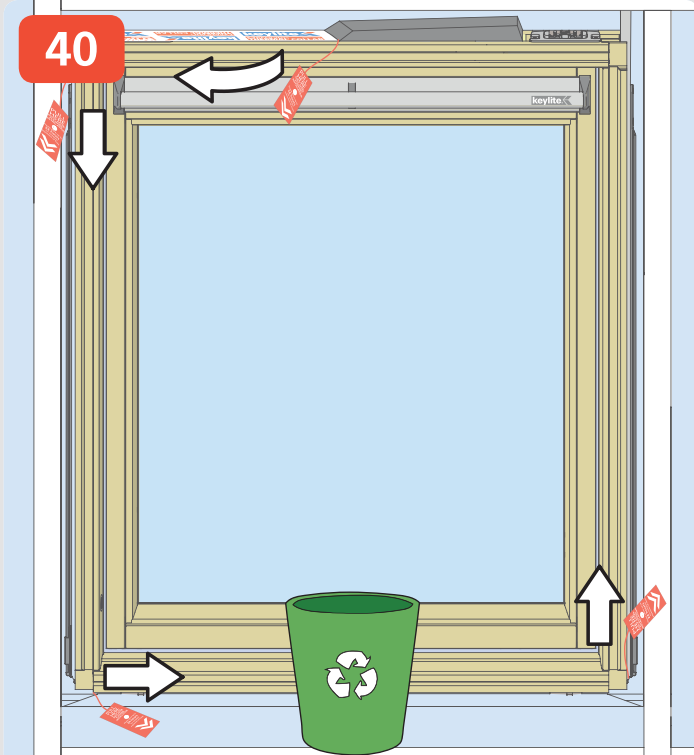
4x  30 mm



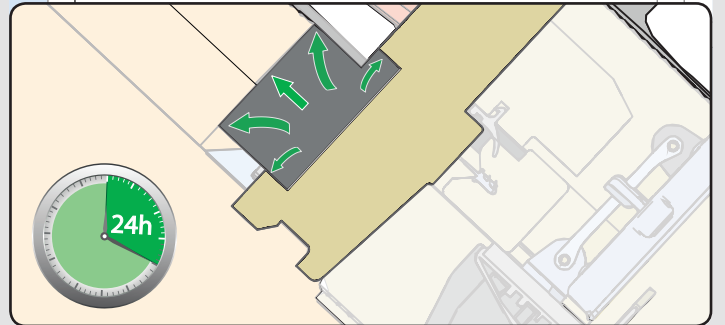
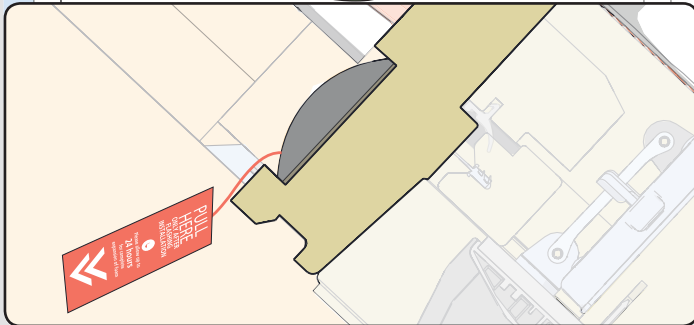
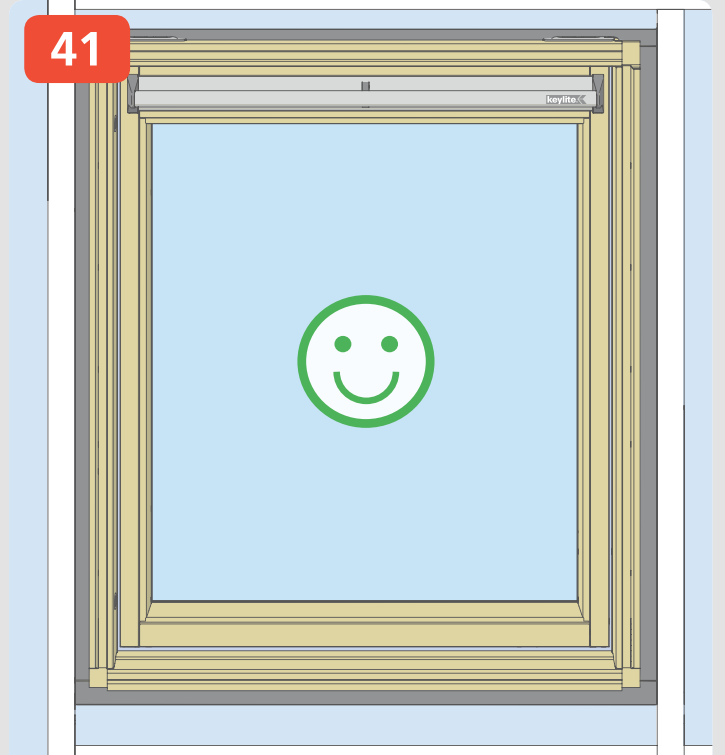
39



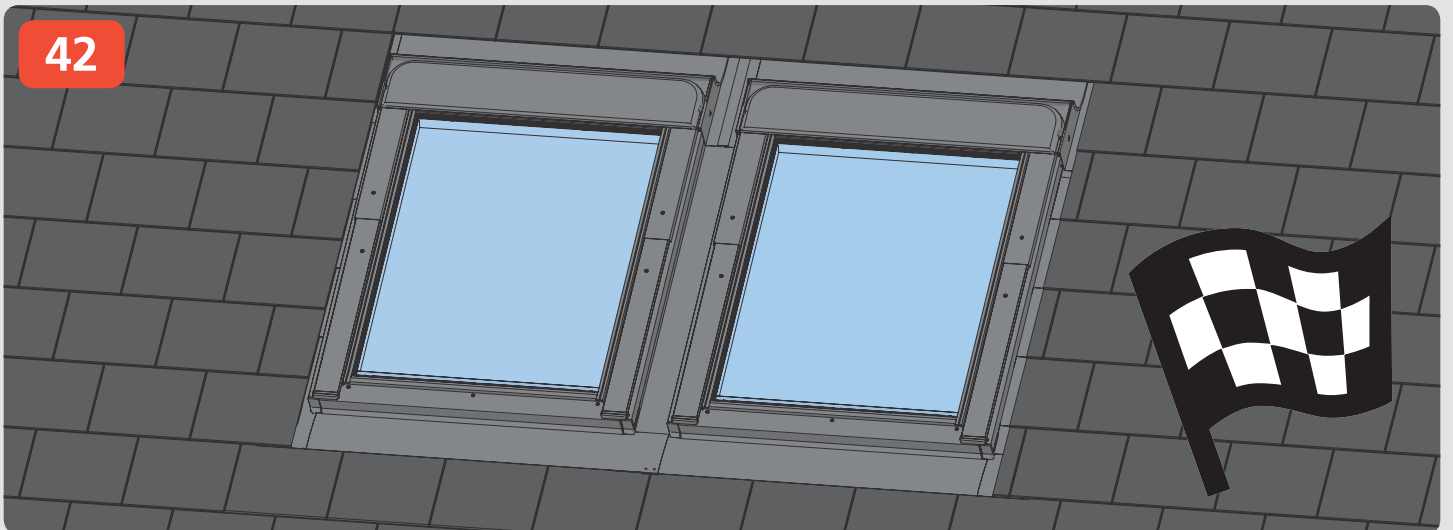
40



41



42





www.keyliteroofwindows.com