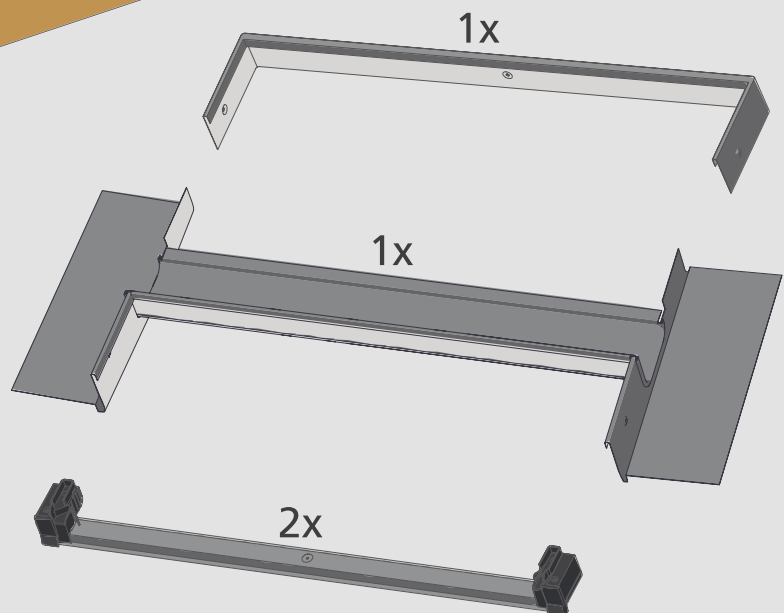
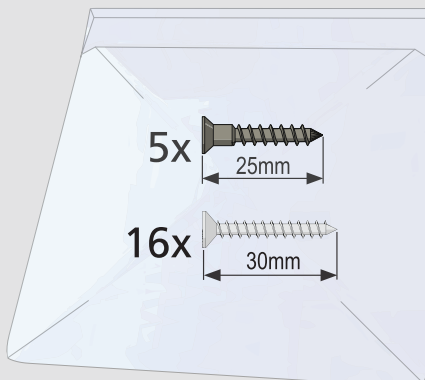
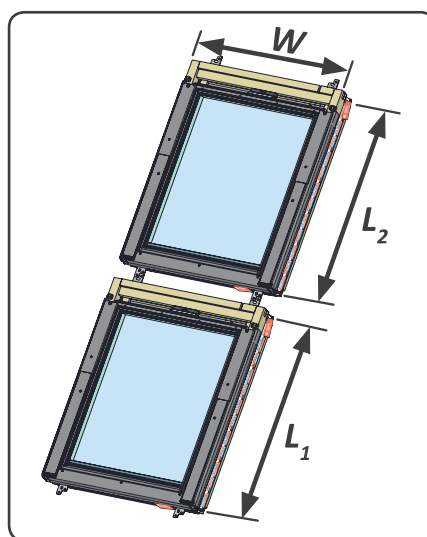
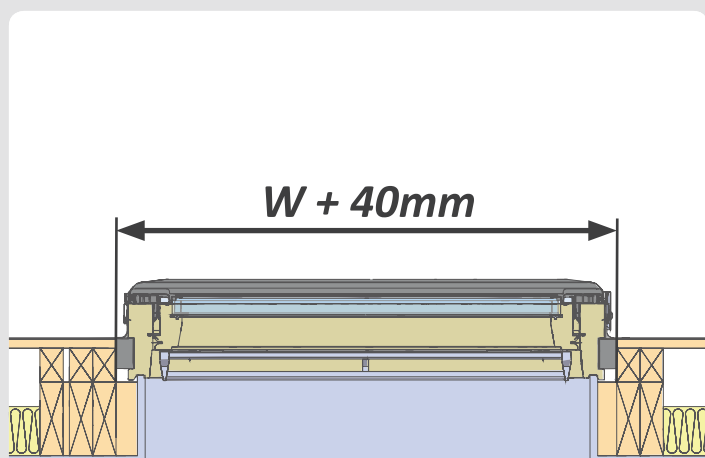
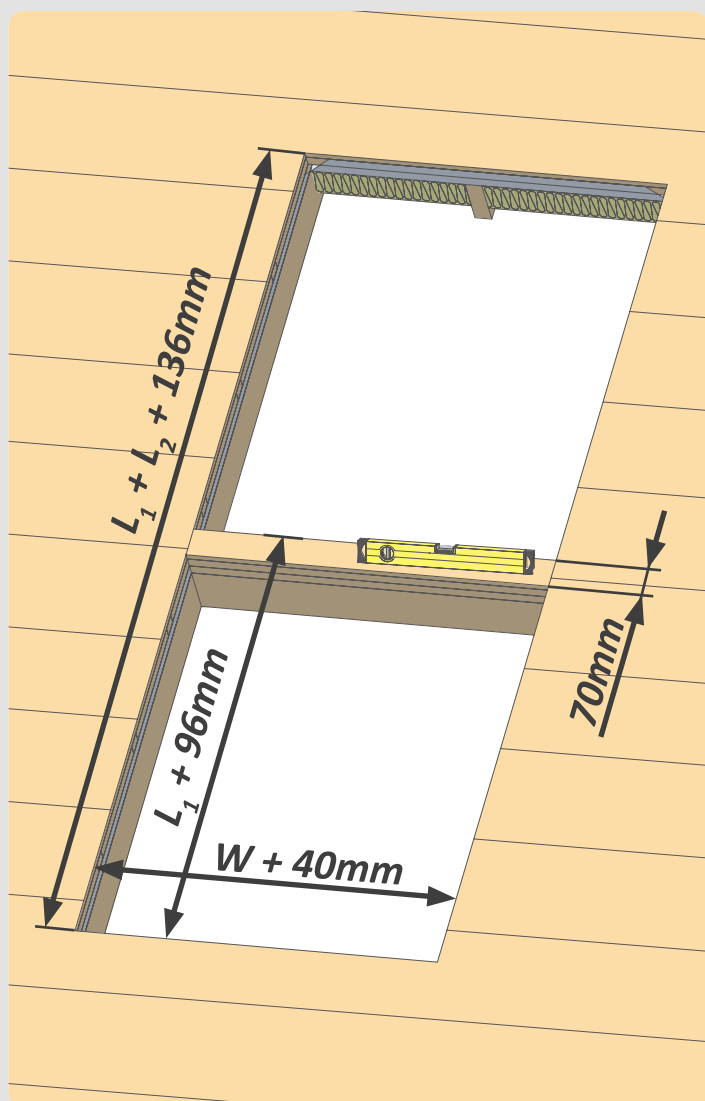
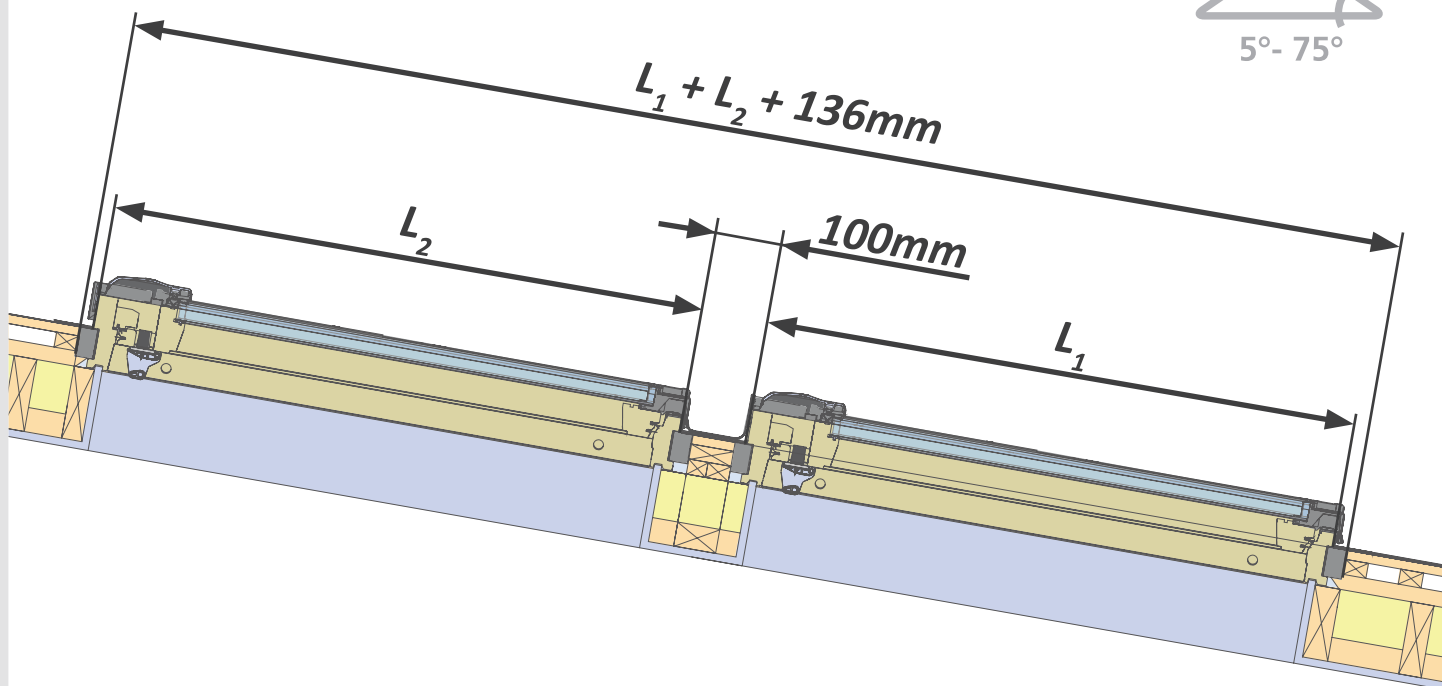


**Futuretherm Technology™**

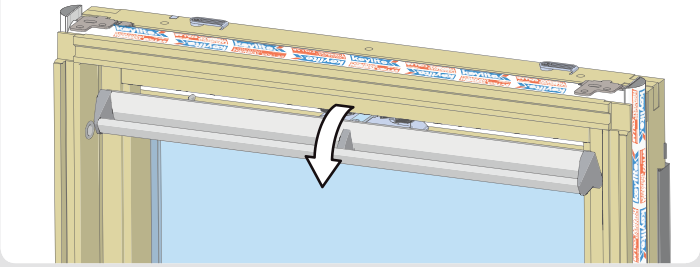




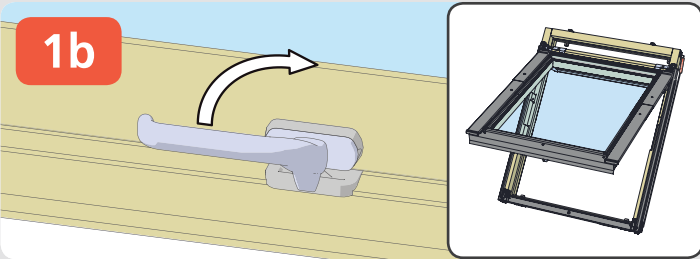
5°-75°



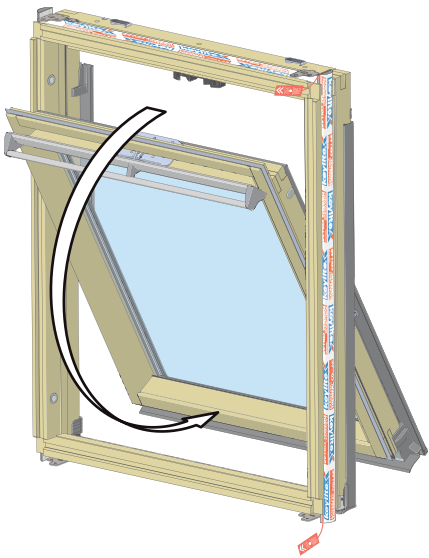
1a



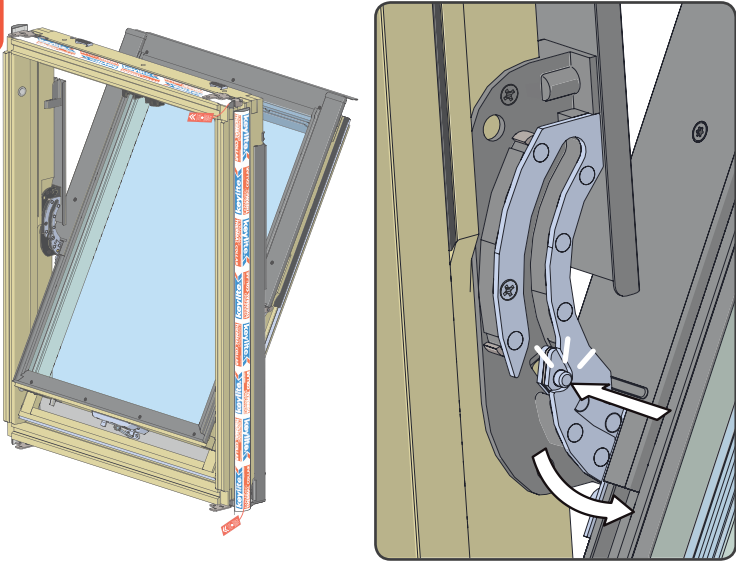
1b



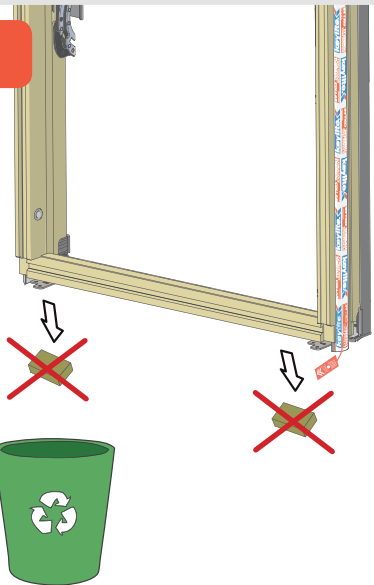
2



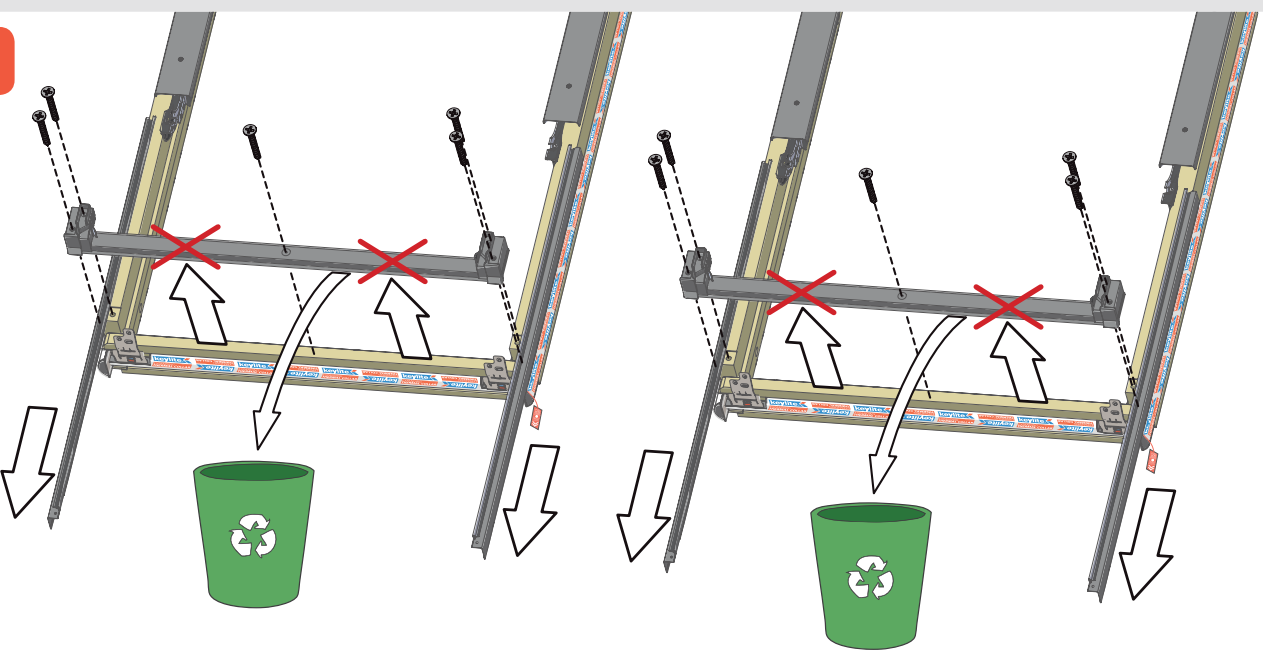
3



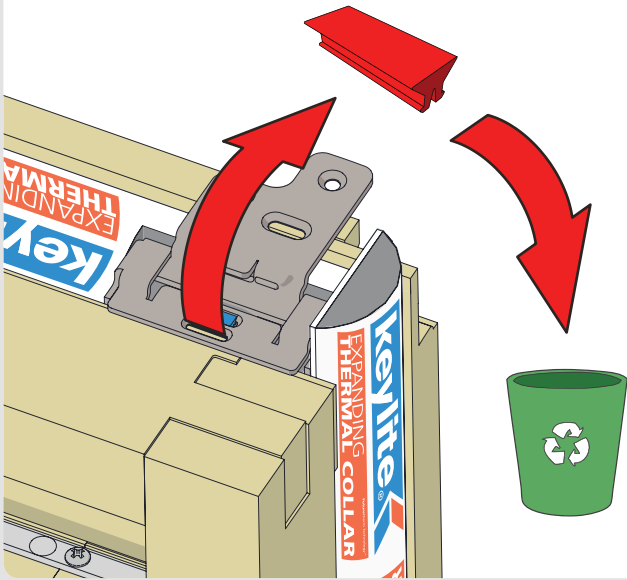
4



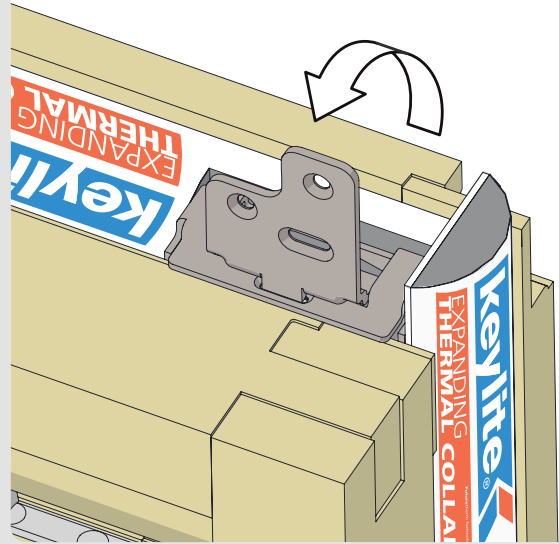
5



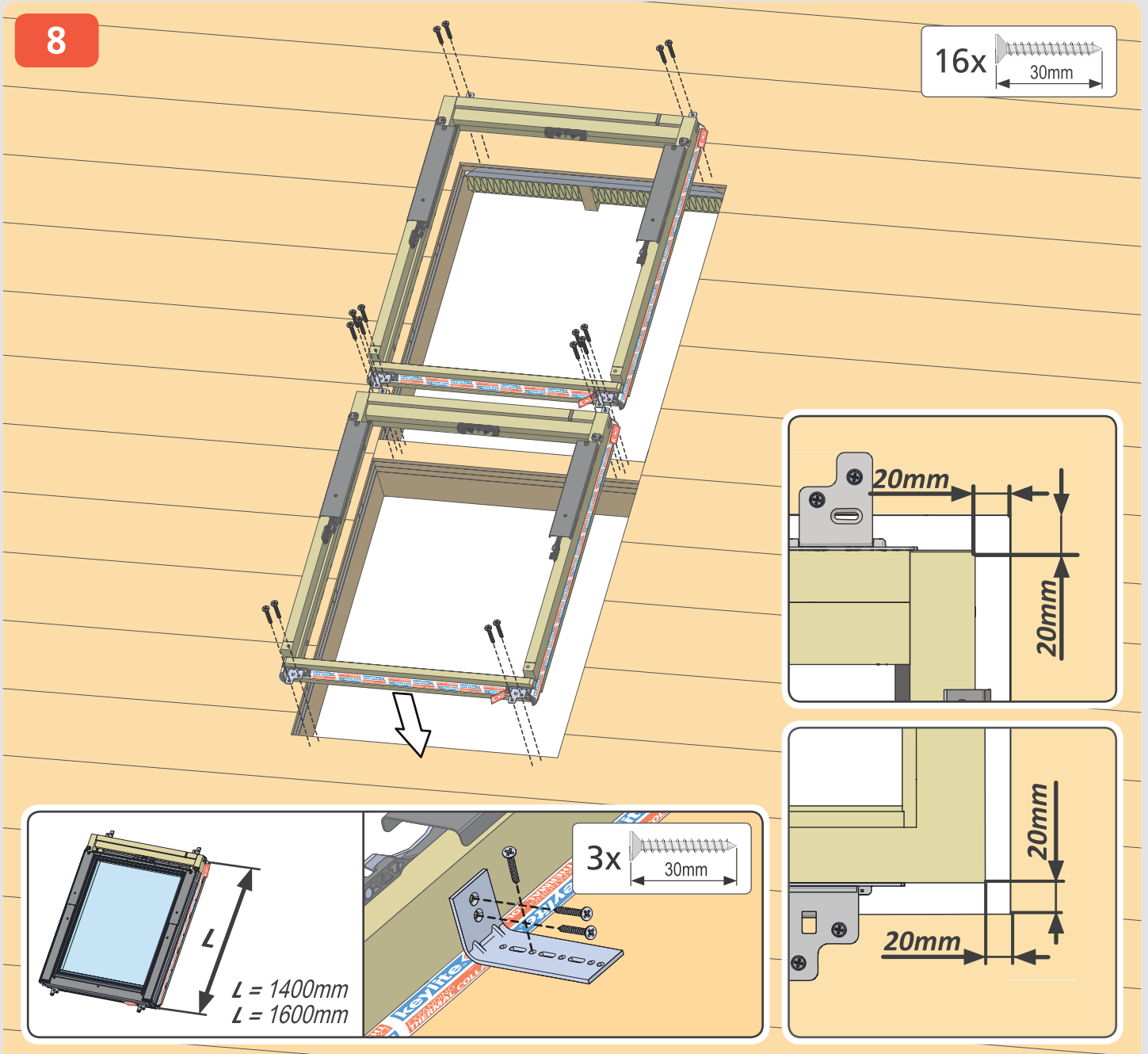
6



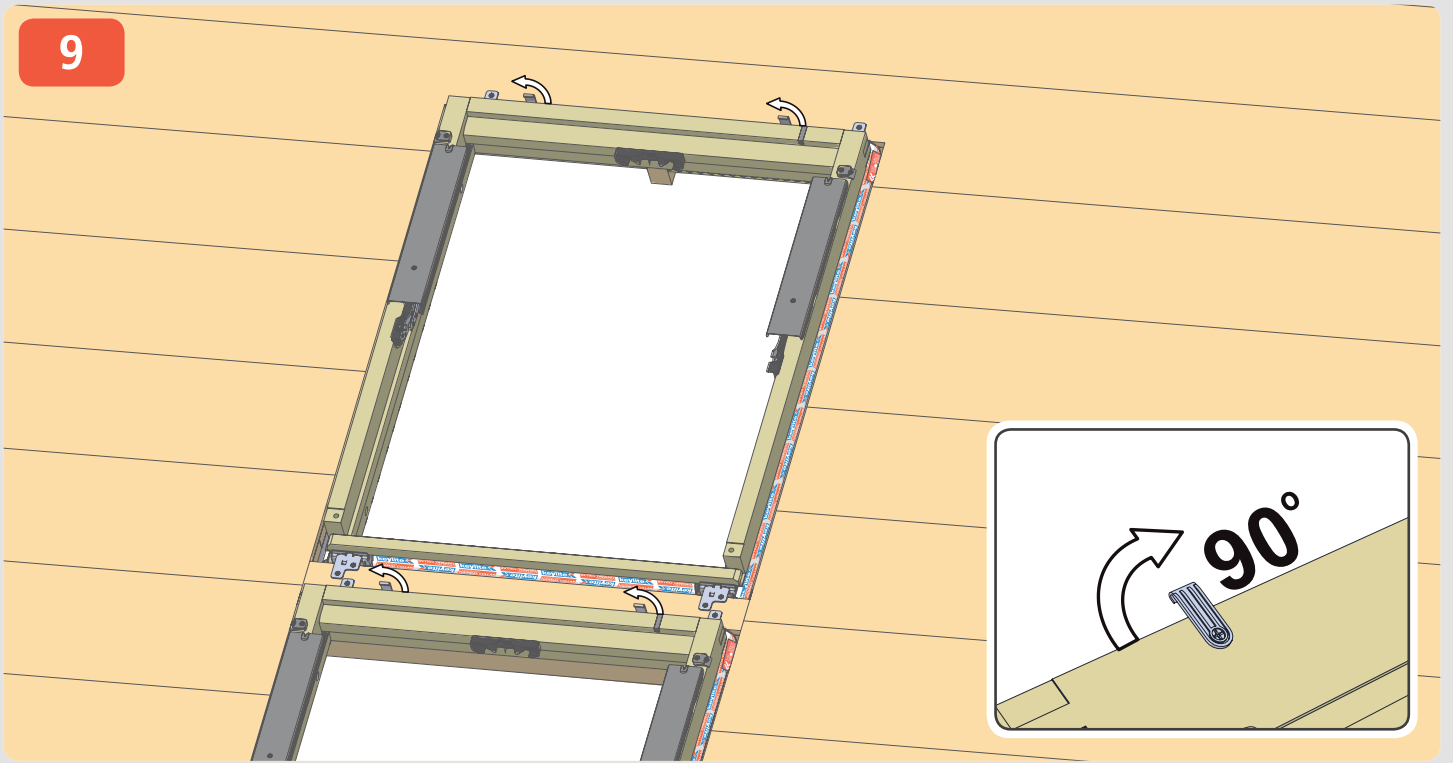
7



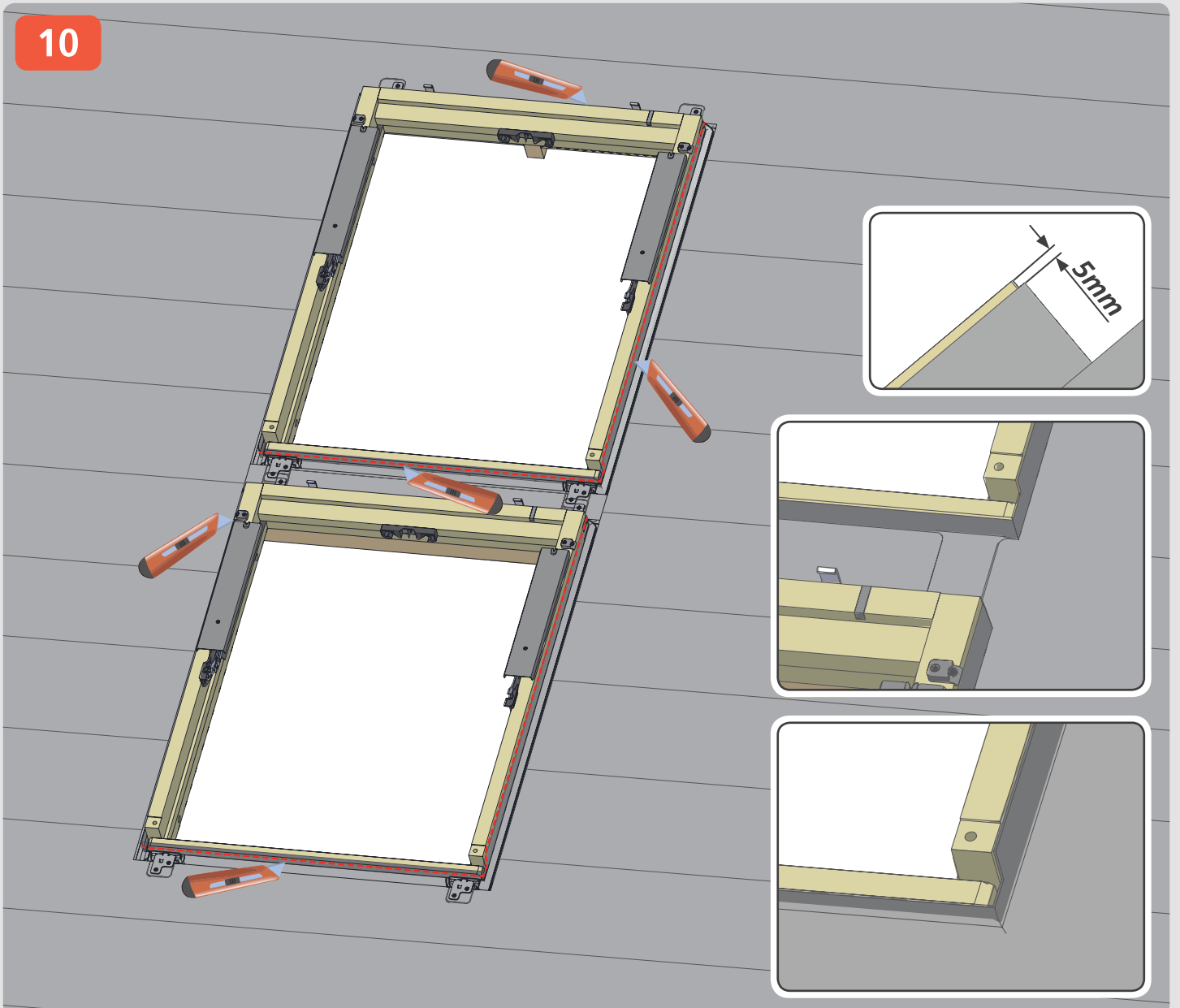
8



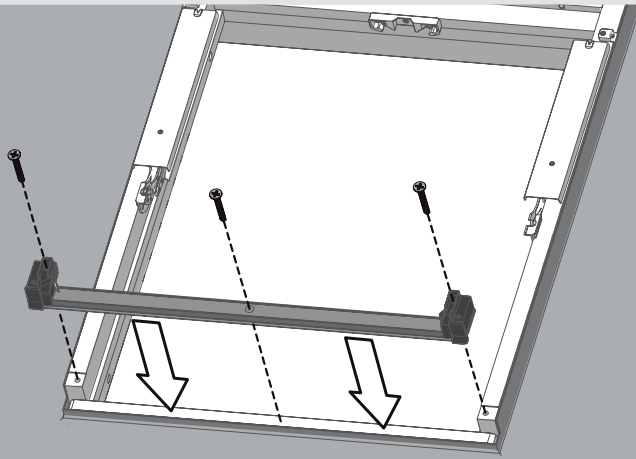
9




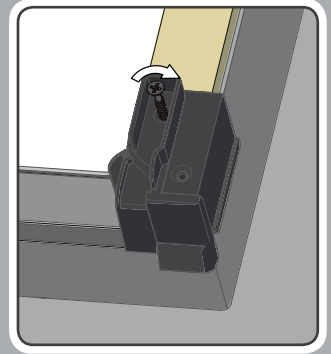
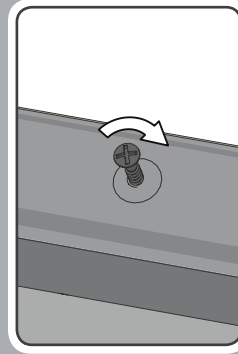
10



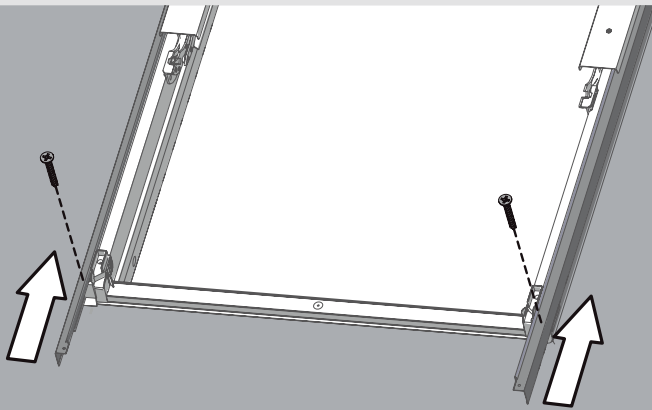
11




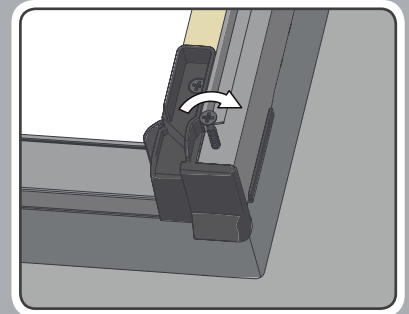
3x  30mm



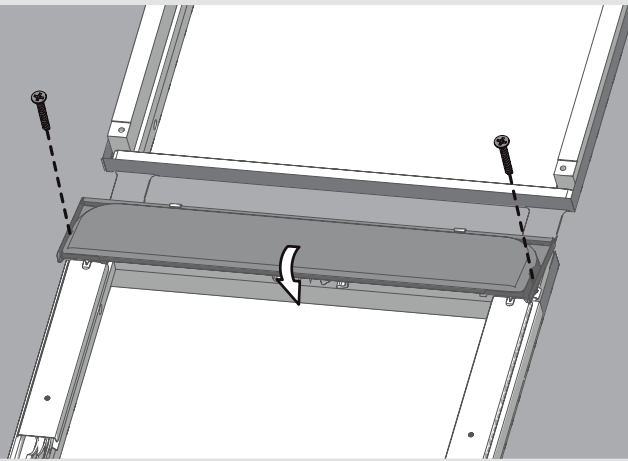
12




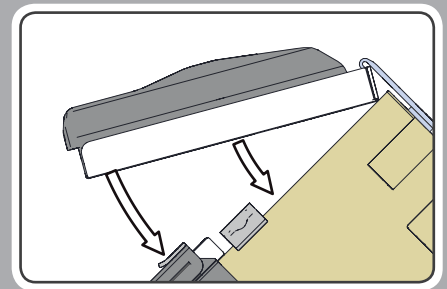
2x  30mm



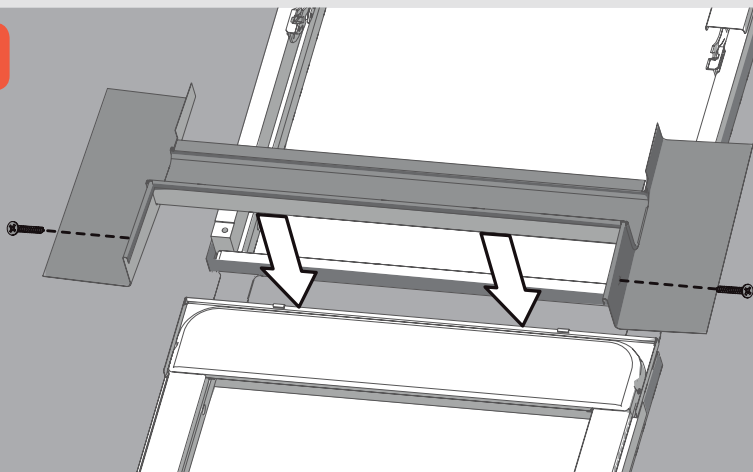
13




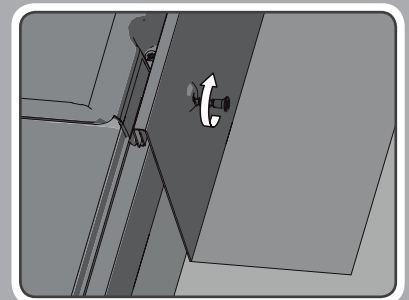
2x  30mm



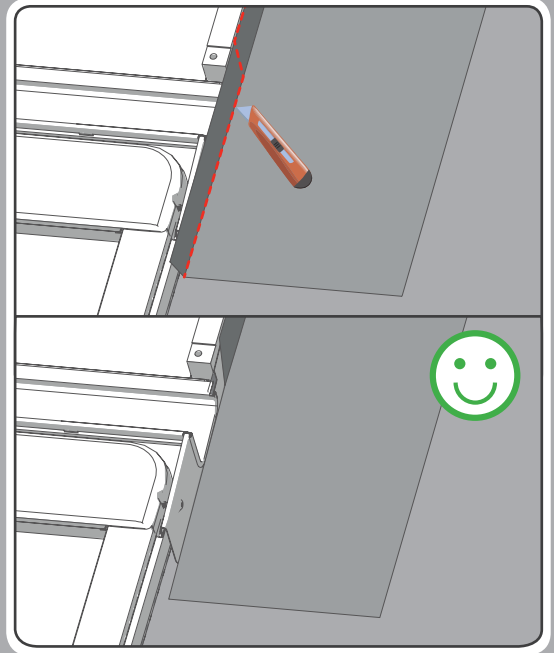
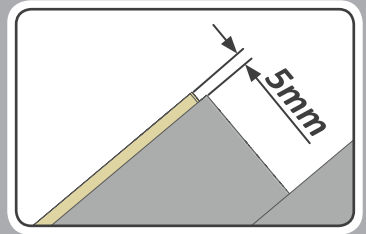
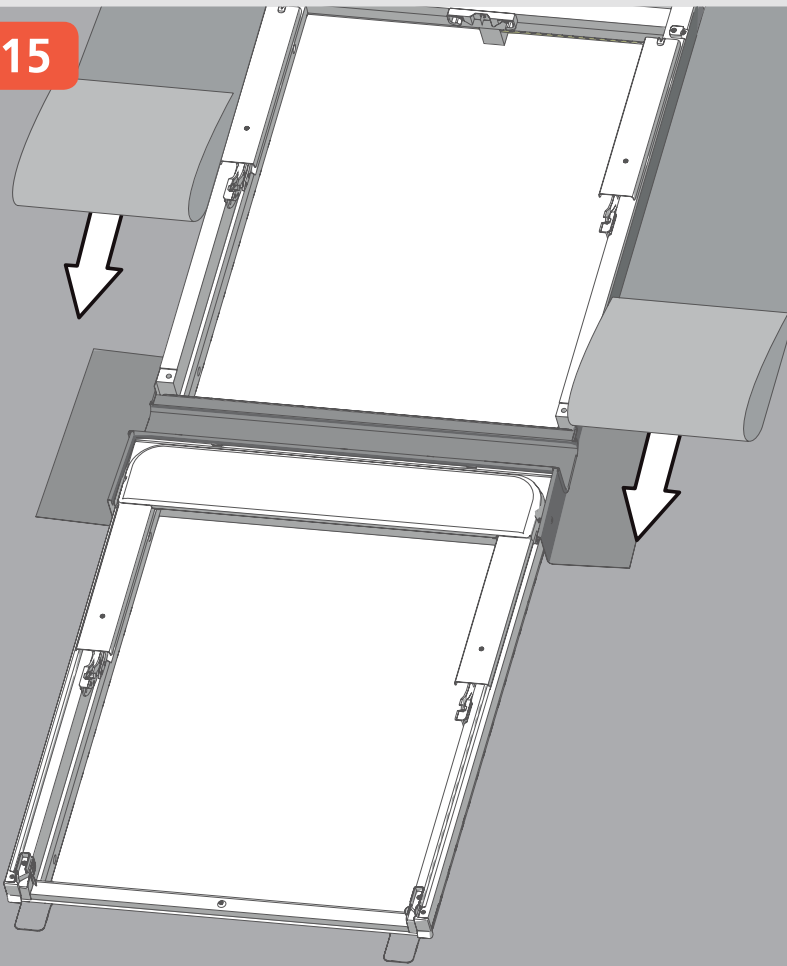
14



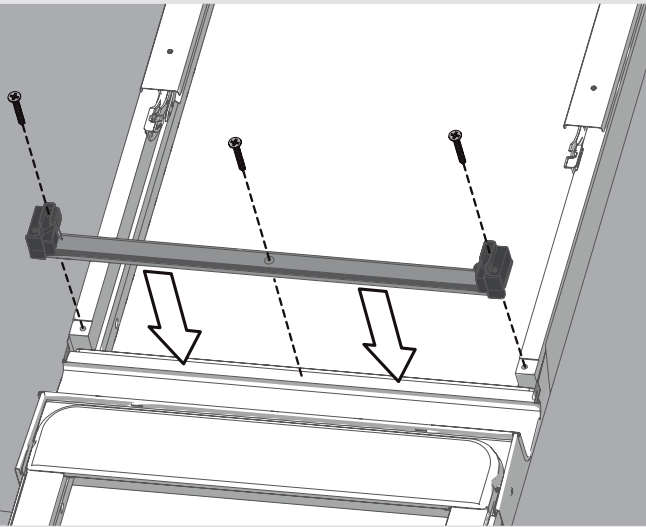
2x  25mm




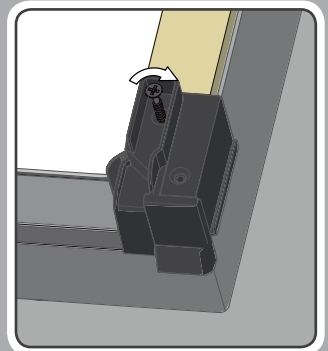
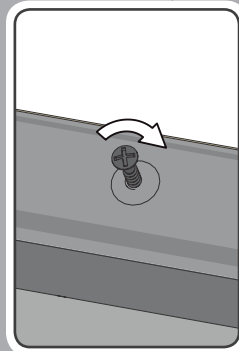
15



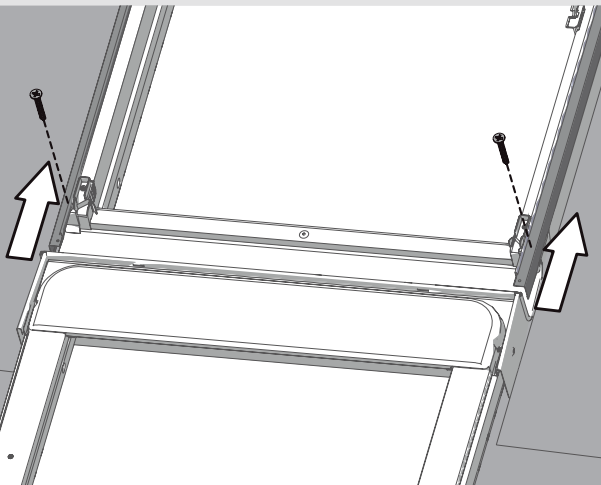
16




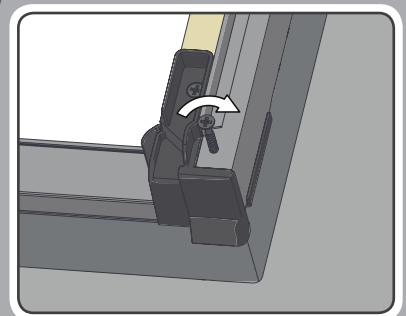
3x  30mm



17




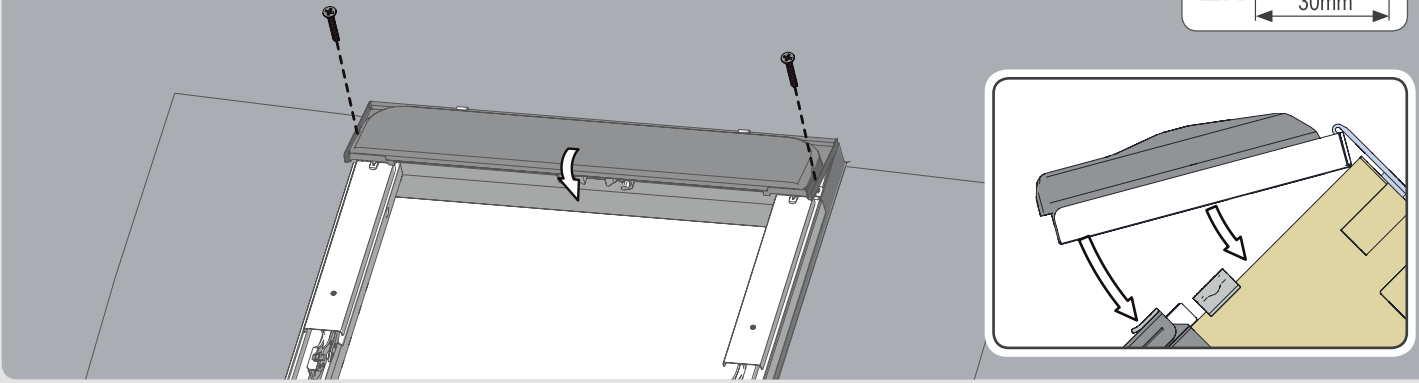
2x  30mm






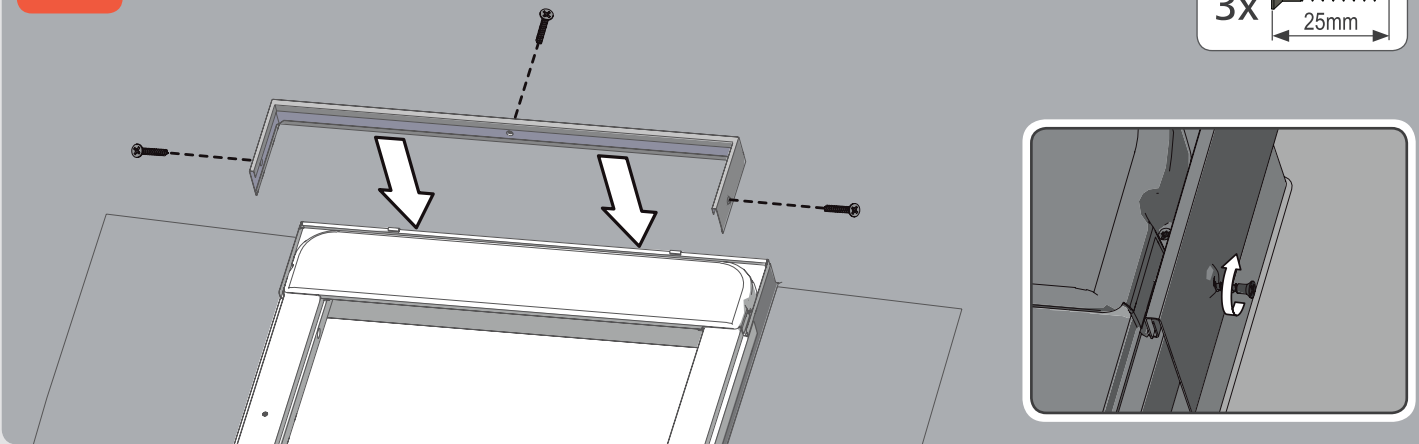
18

2x  30mm

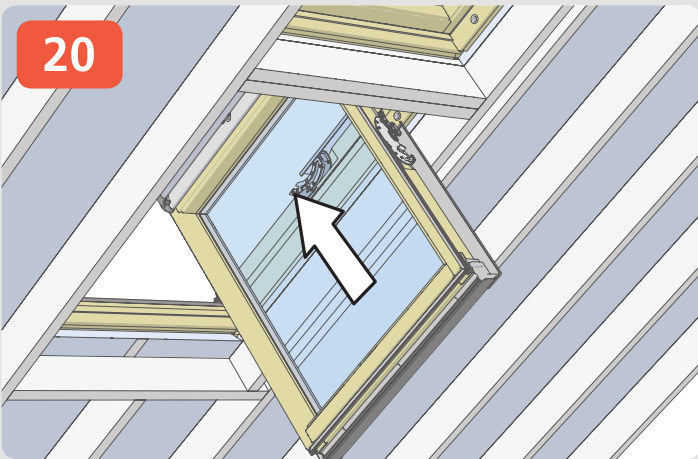


19

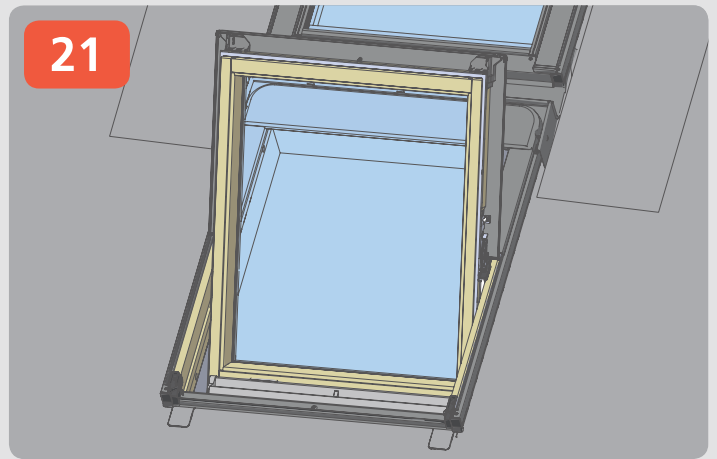
3x  25mm



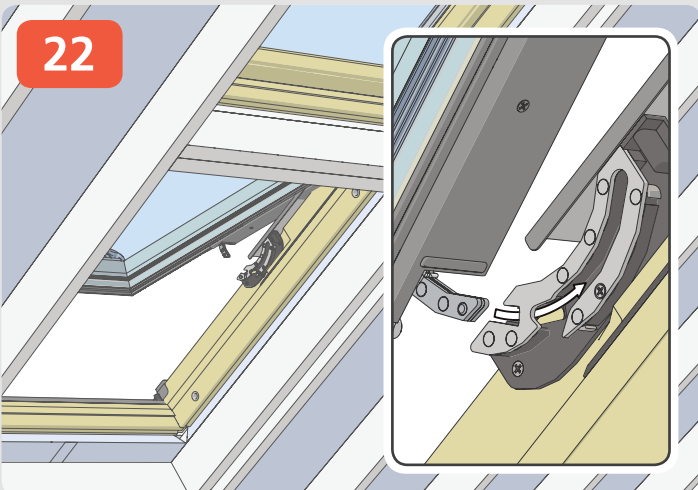
20



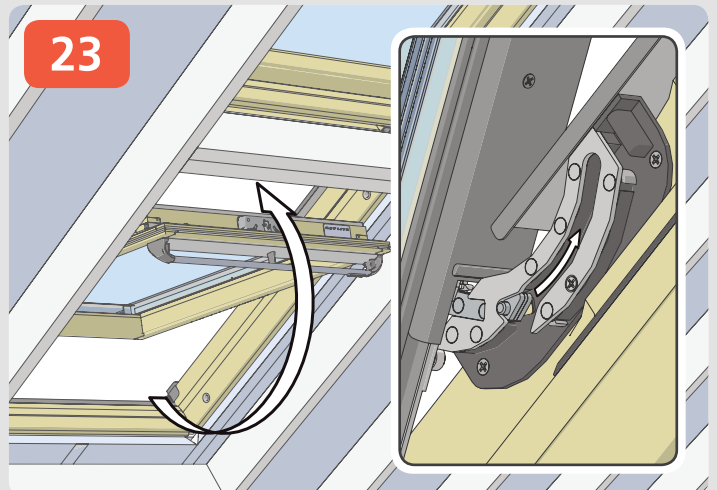
21



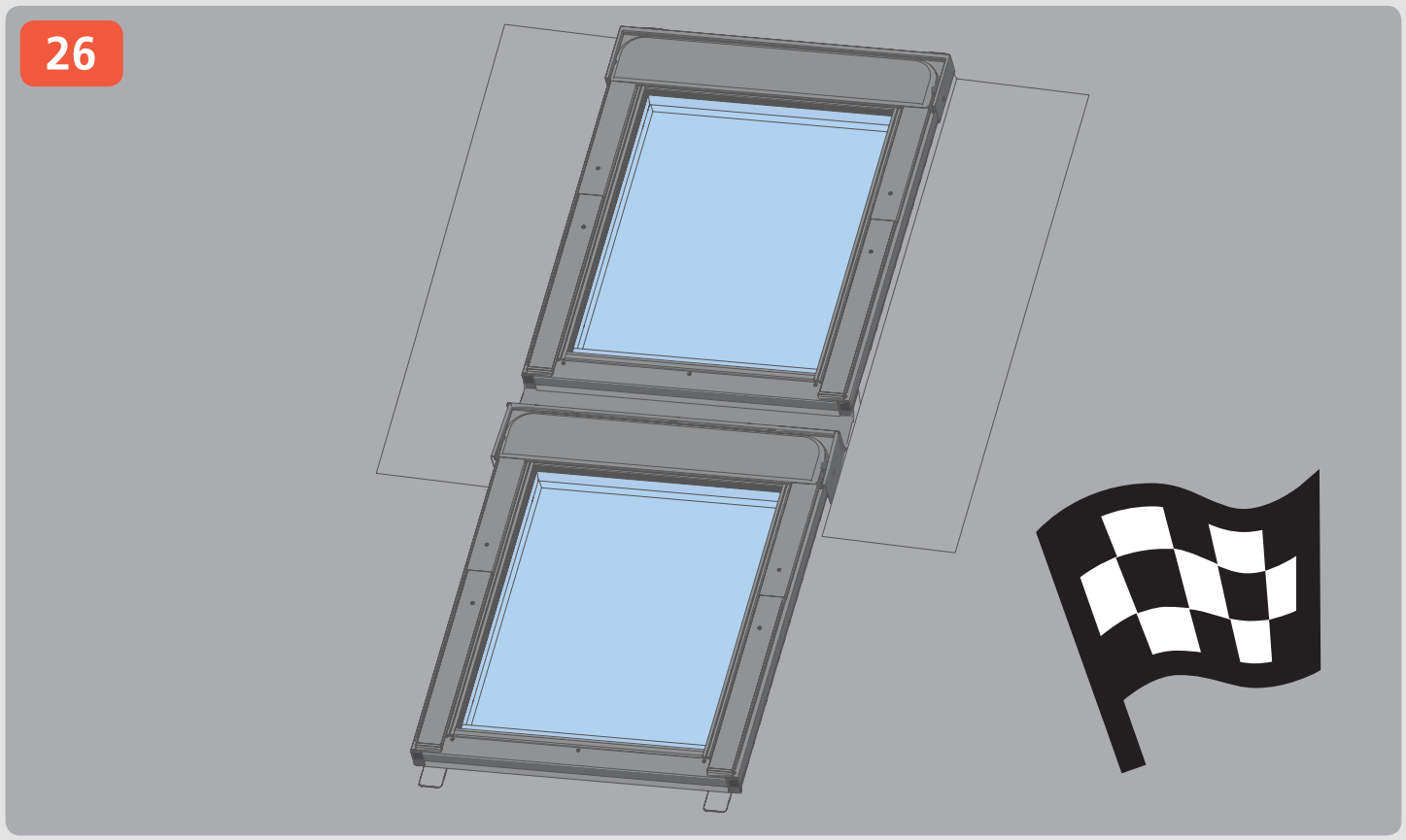
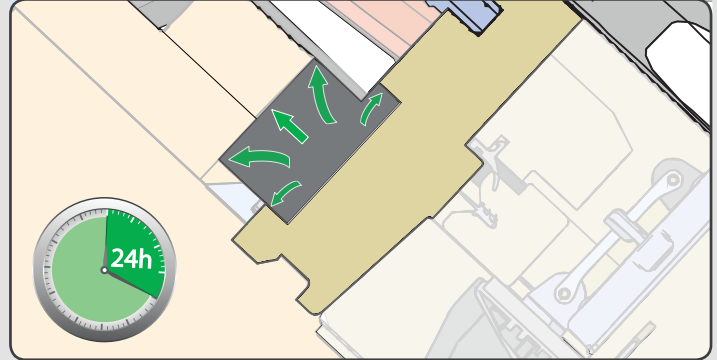
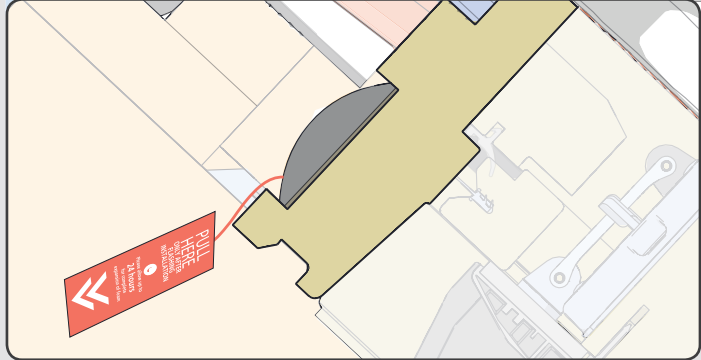
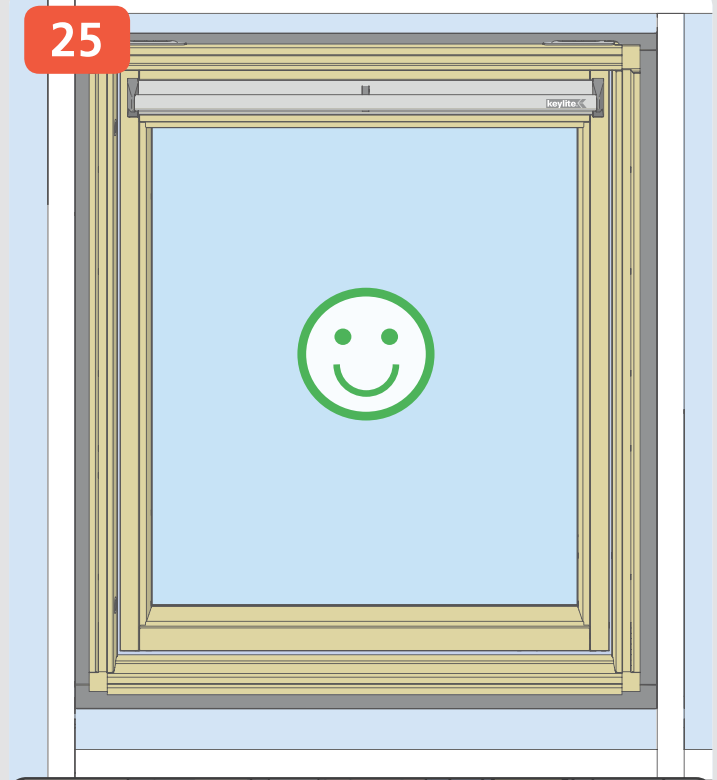
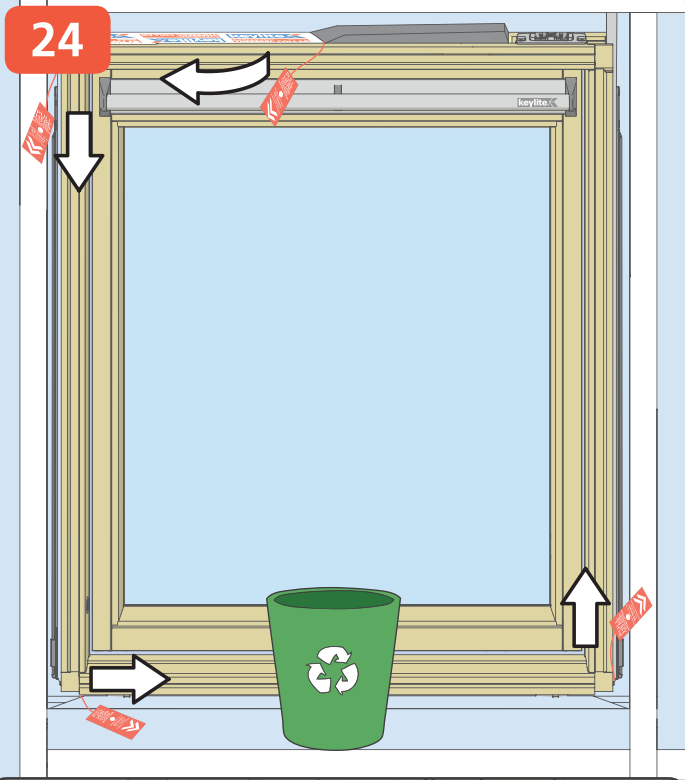
22



23









[www.keyliteroofwindows.com](http://www.keyliteroofwindows.com)