

CRF

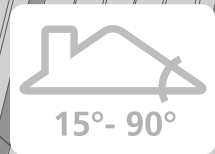
Futuretherm Technology

✓ Integrated Thermal Barrier
✓ Approved Fit as Standard
✓ Unique Fix Installation



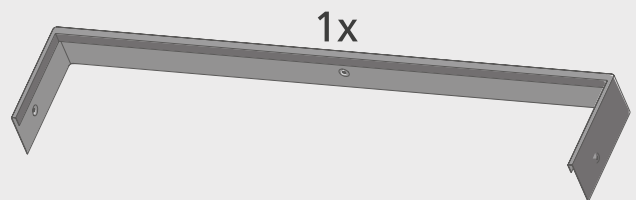
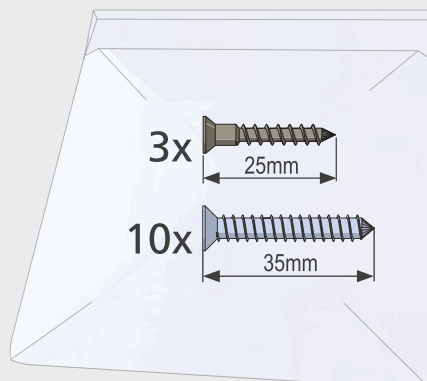
000mm x 000mm

00kg

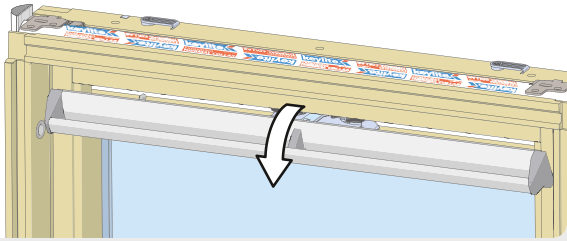


15° - 90°

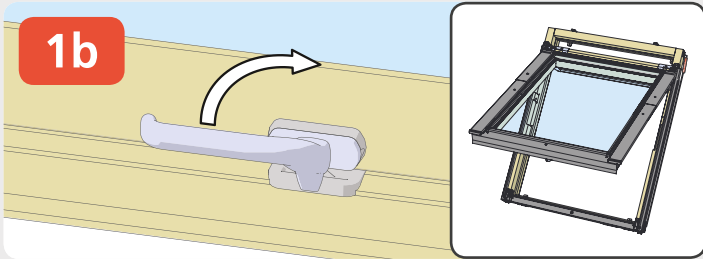
Futuretherm Technology™



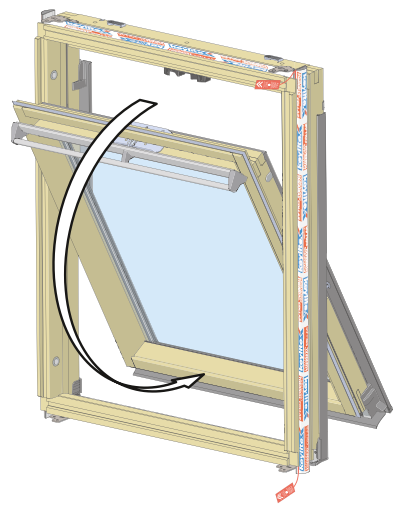
1a



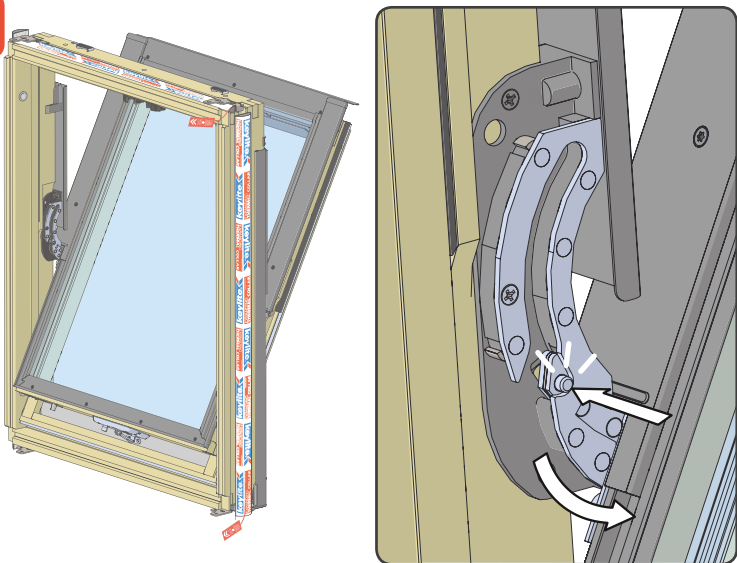
1b



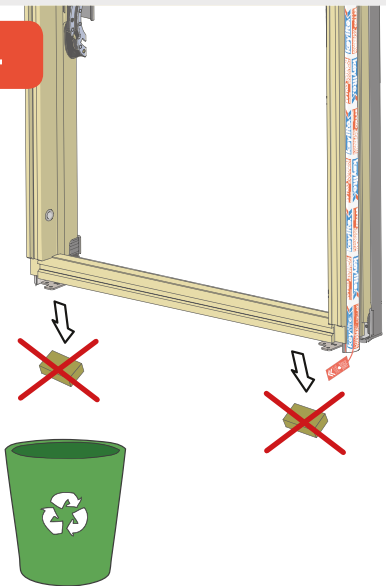
2



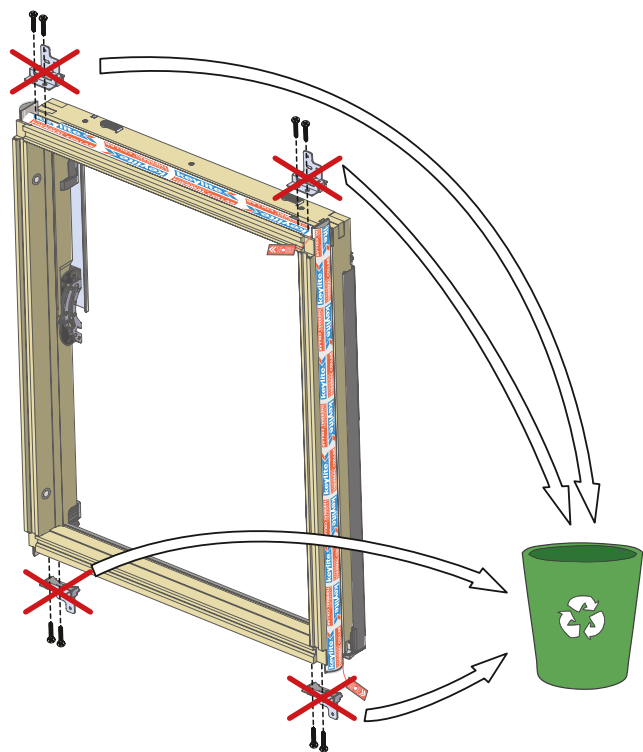
3



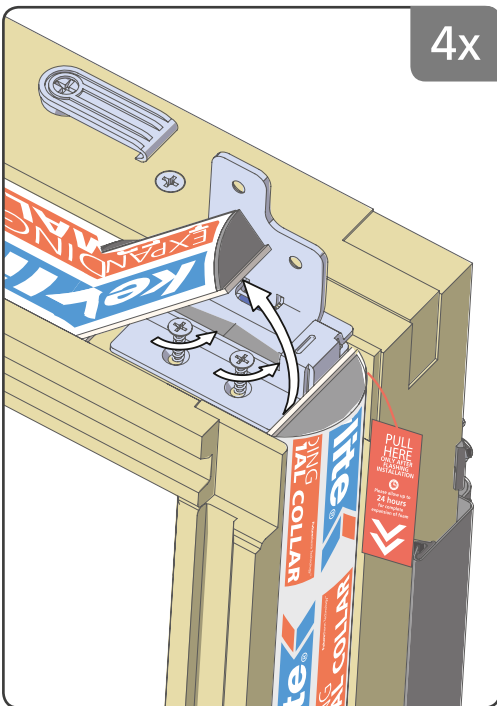
4



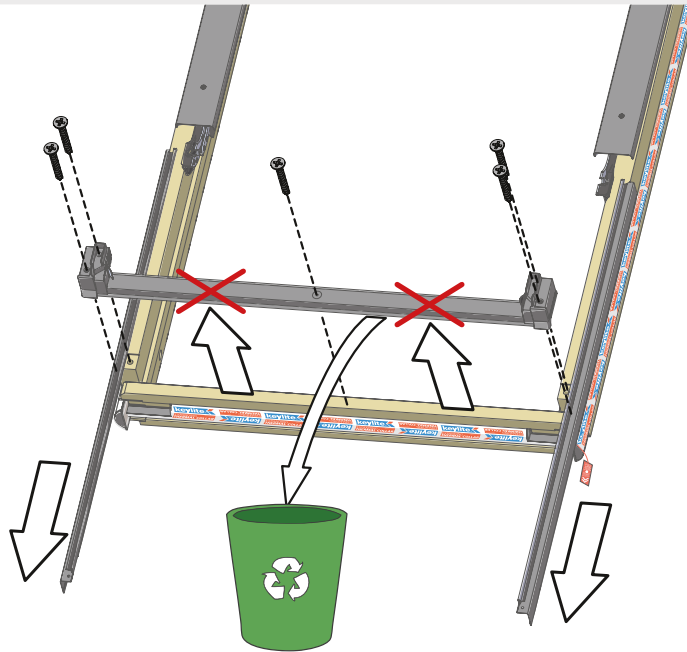
5



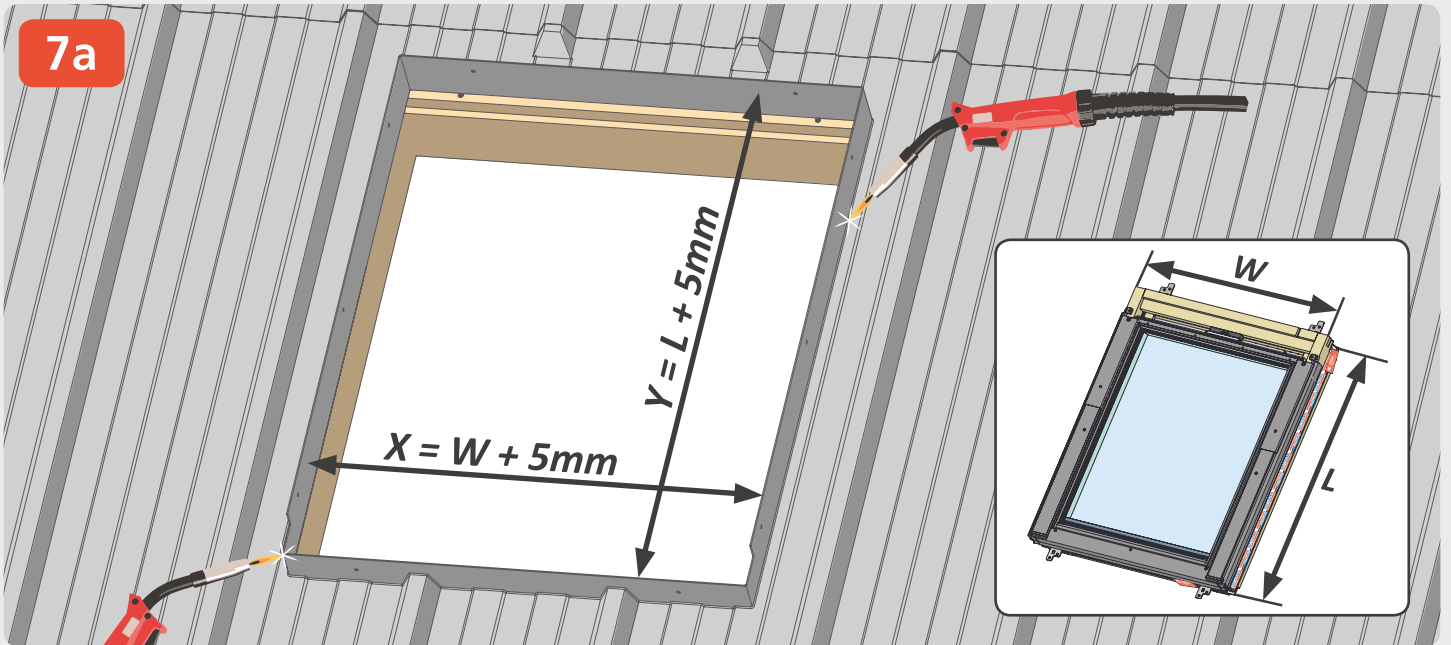
4x



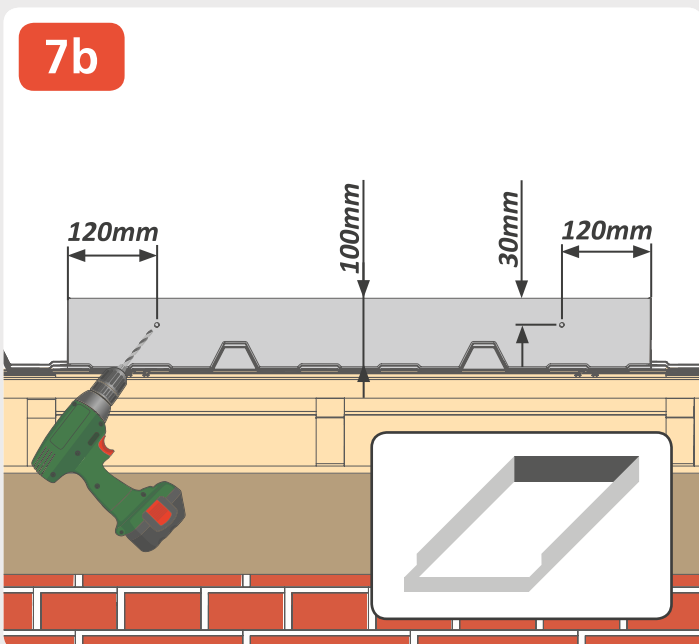
6



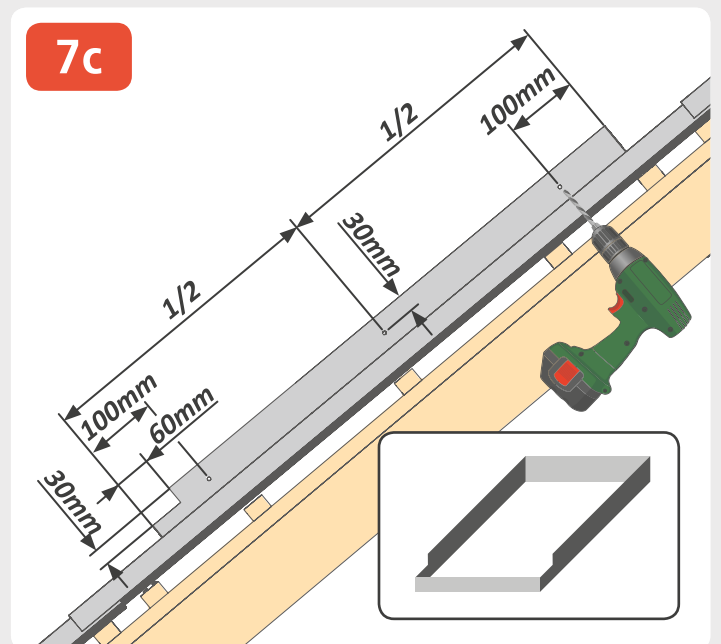
7a



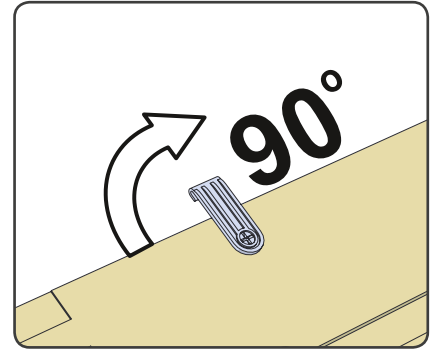
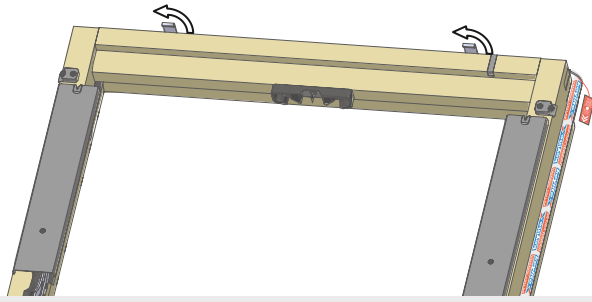
7b



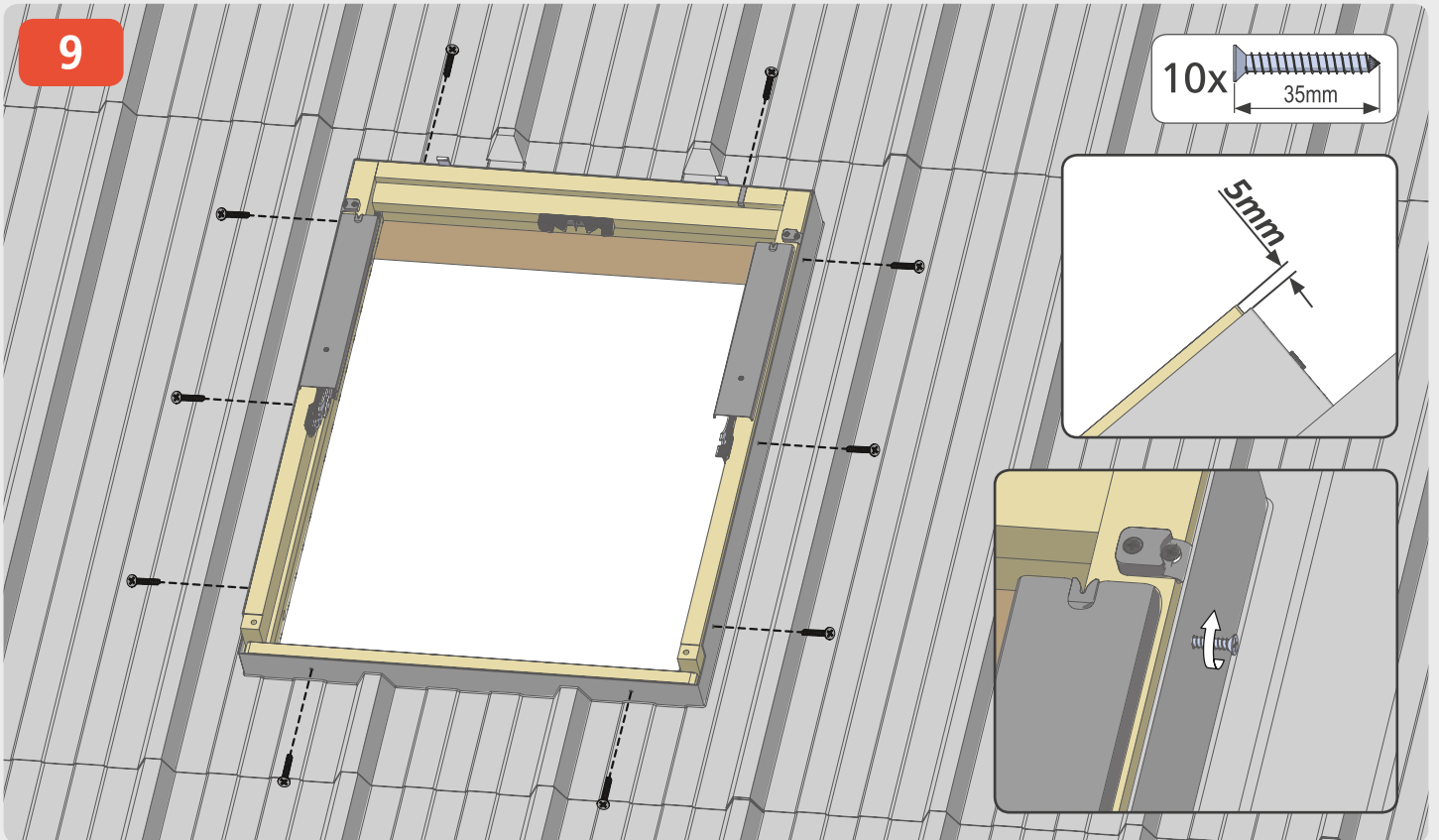
7c



8



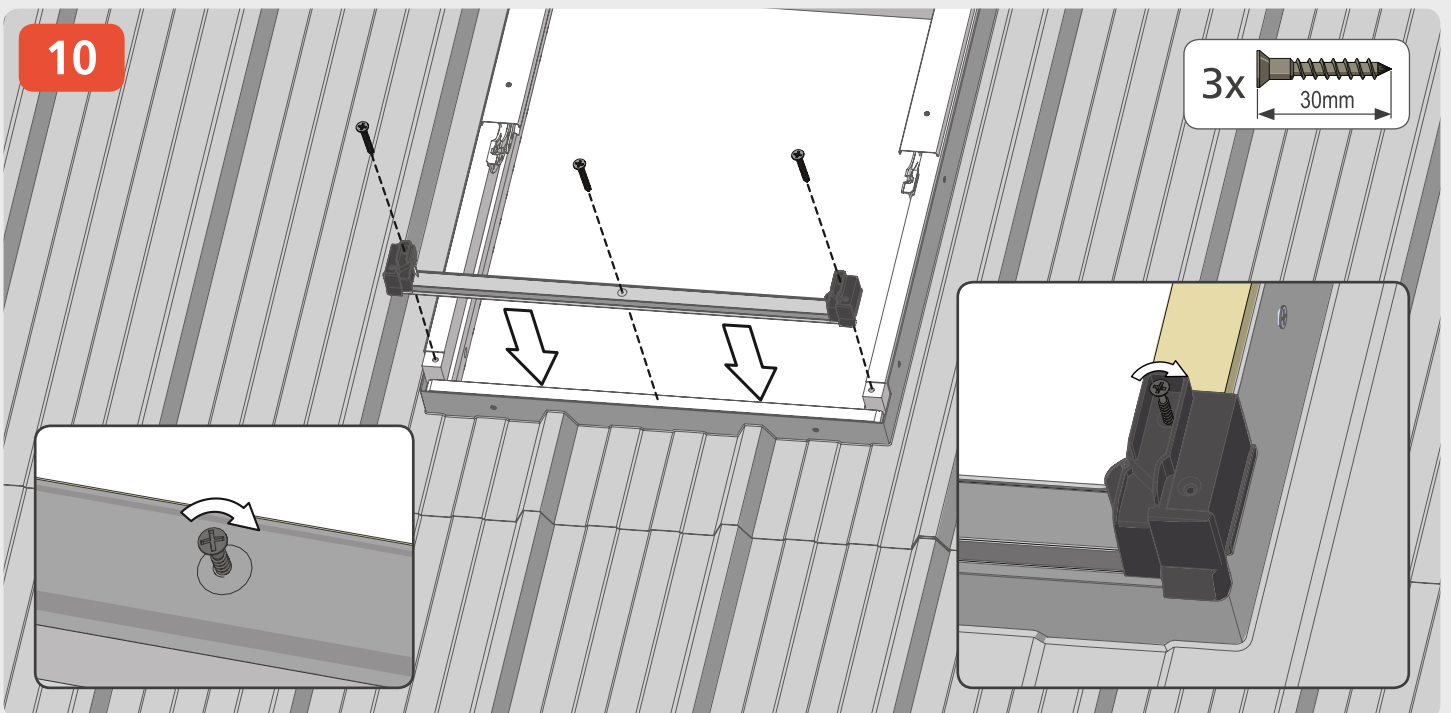
9



10x 35mm

5mm

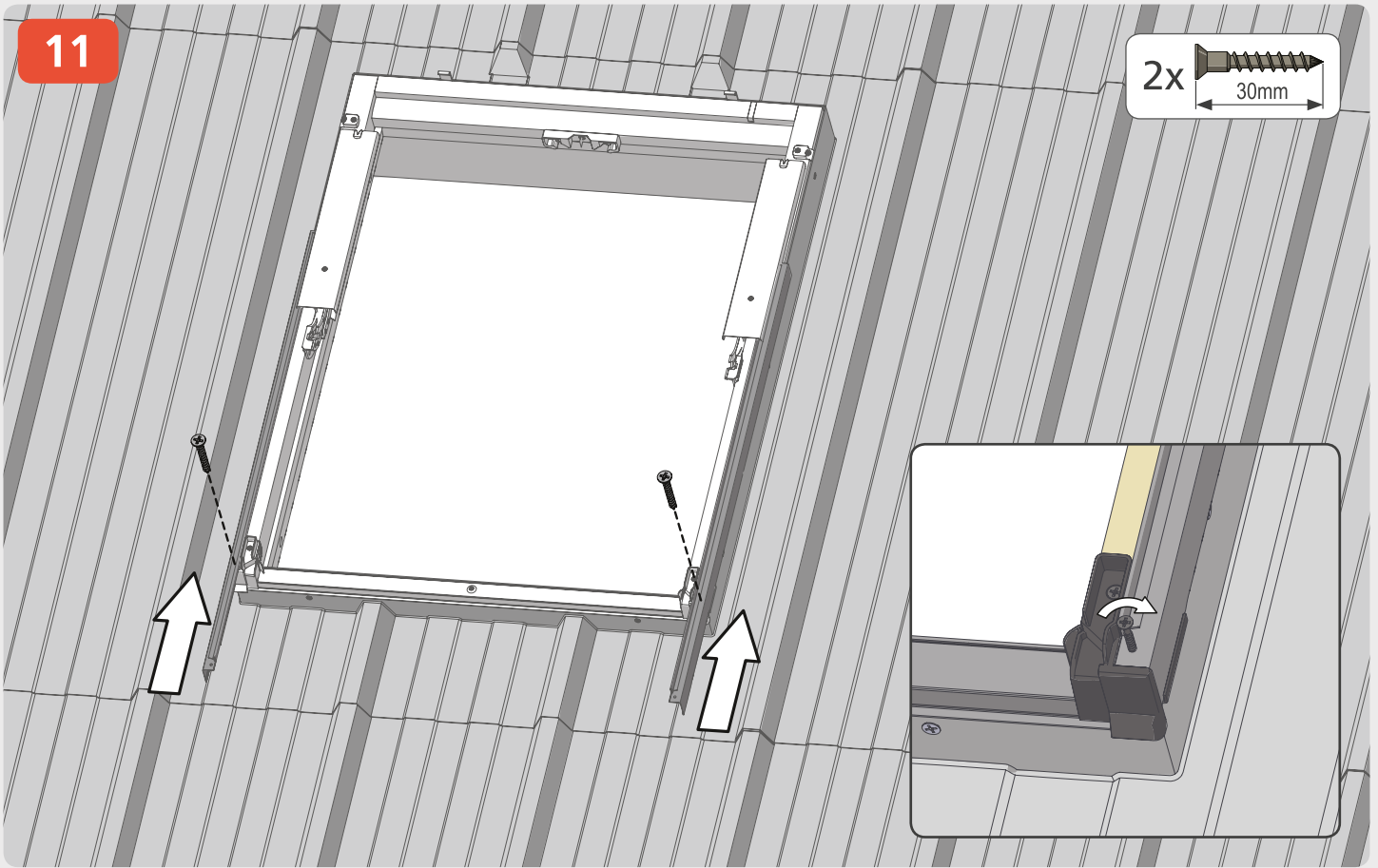
10



3x 30mm

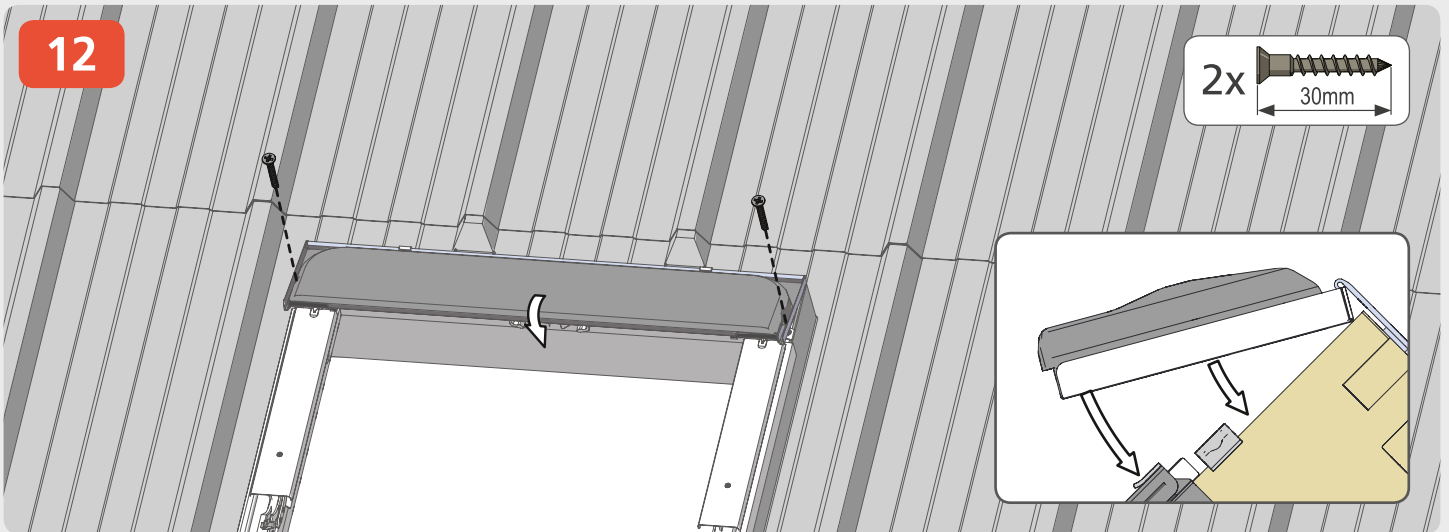
11

2x  30mm



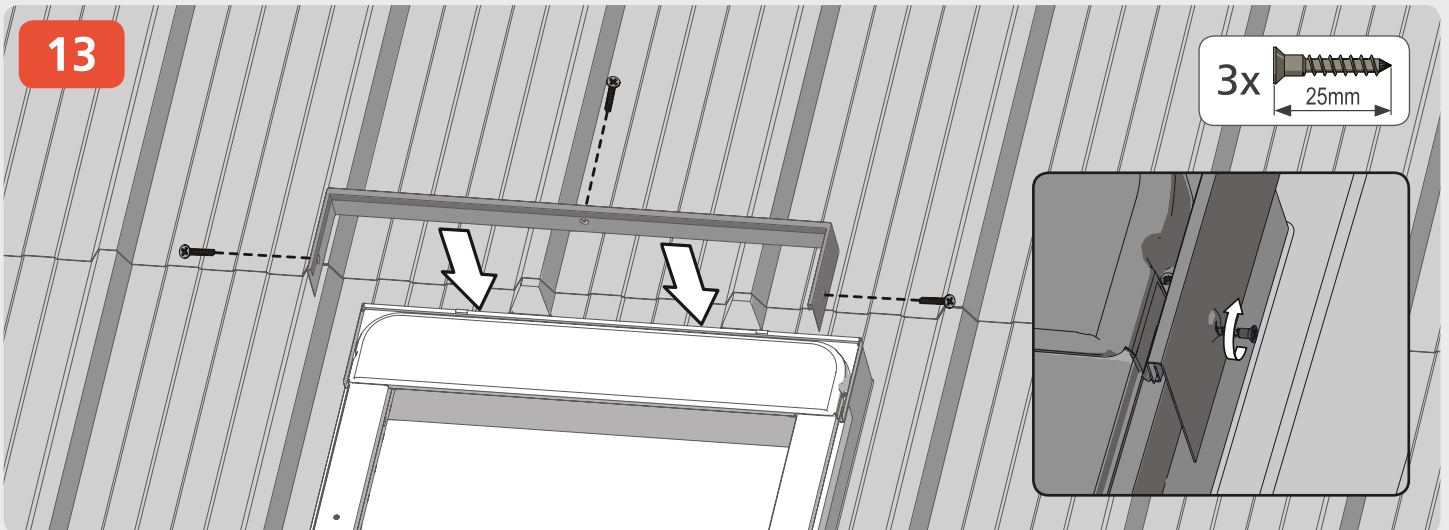
12

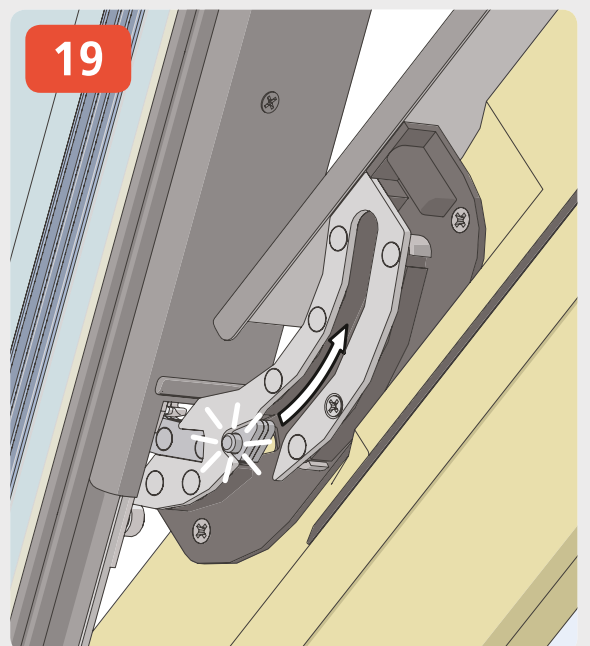
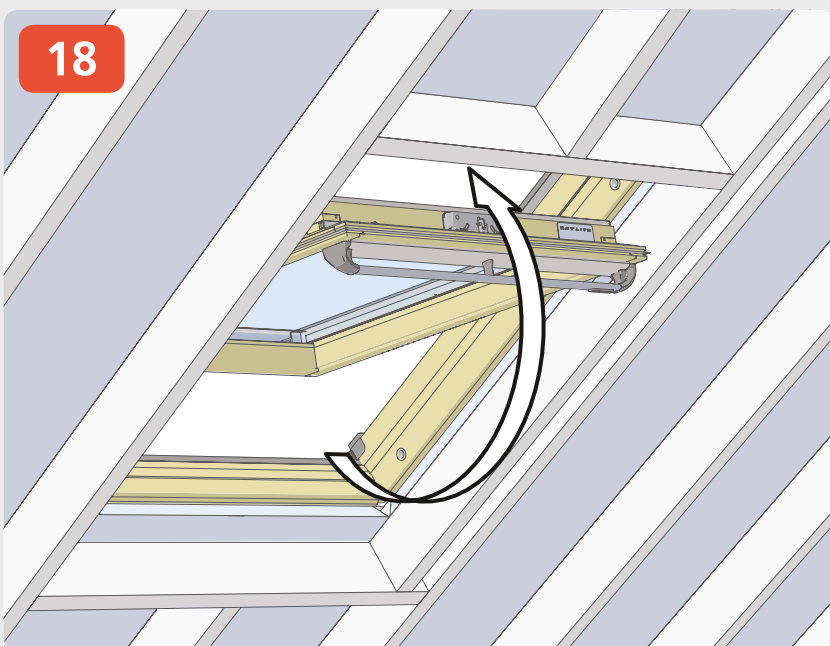
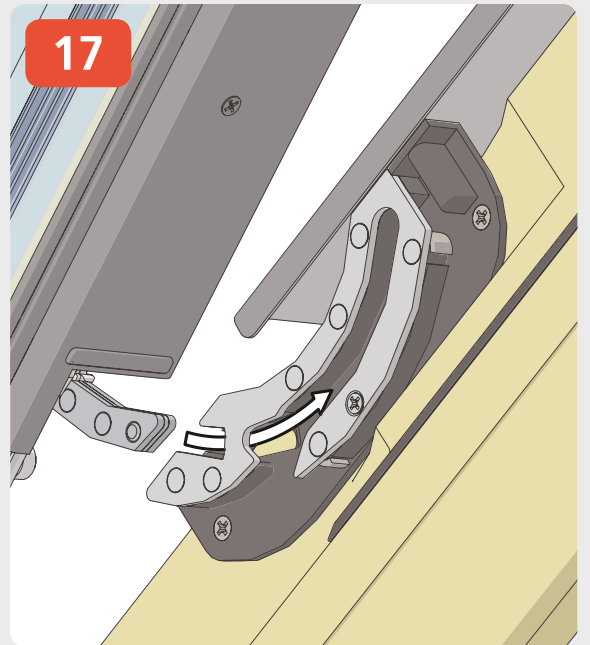
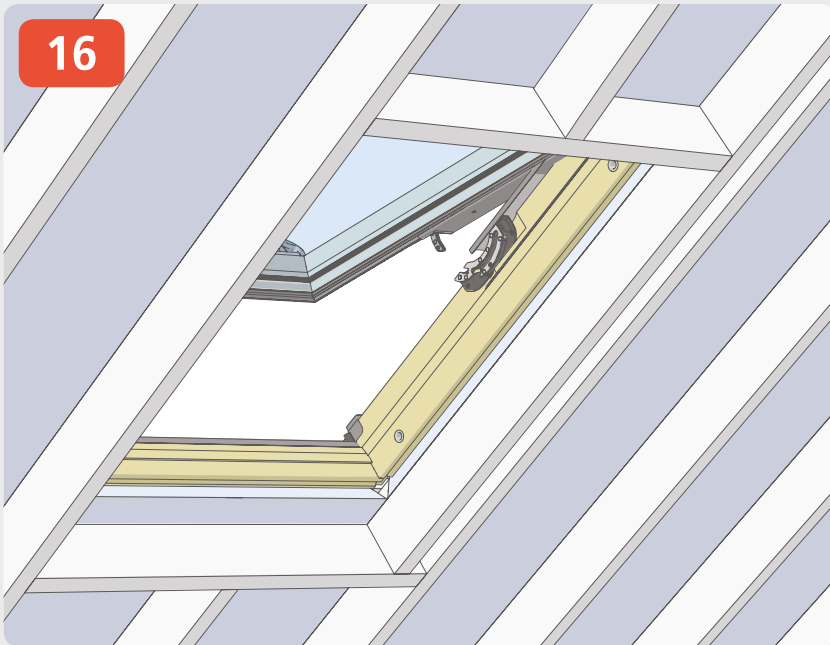
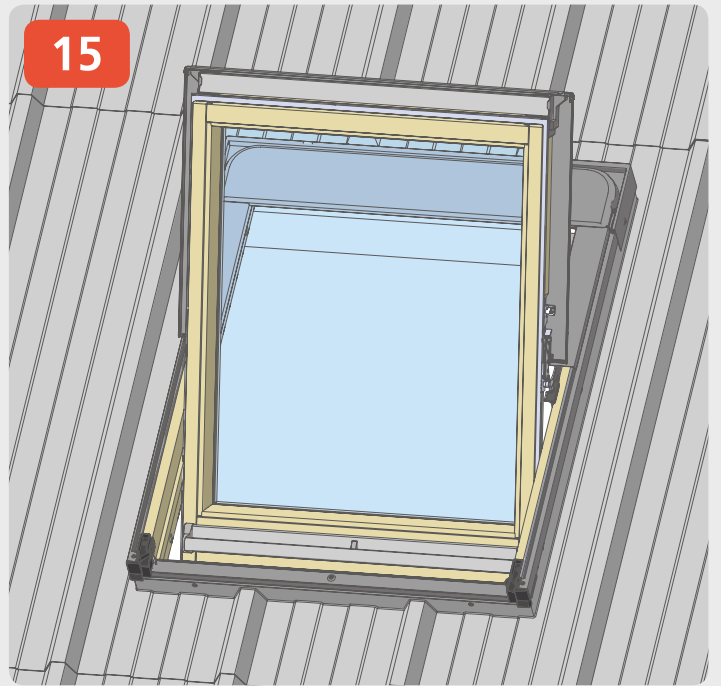
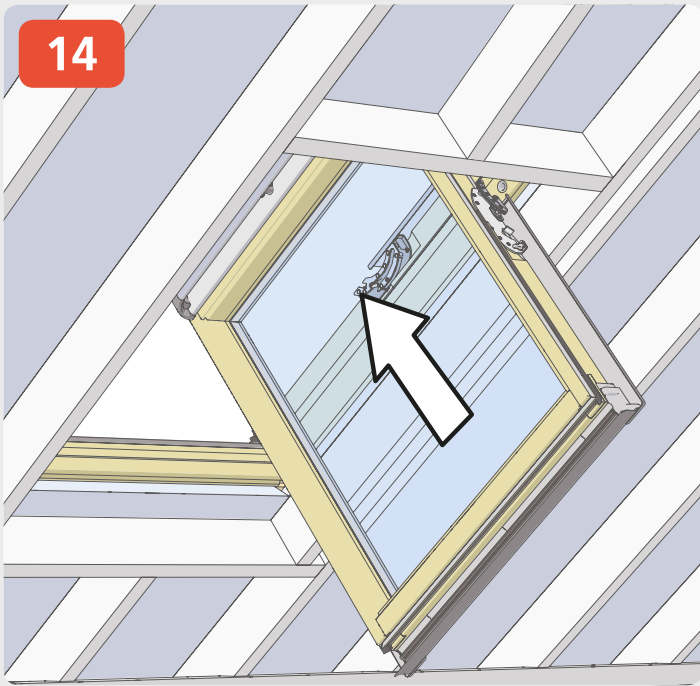
2x  30mm

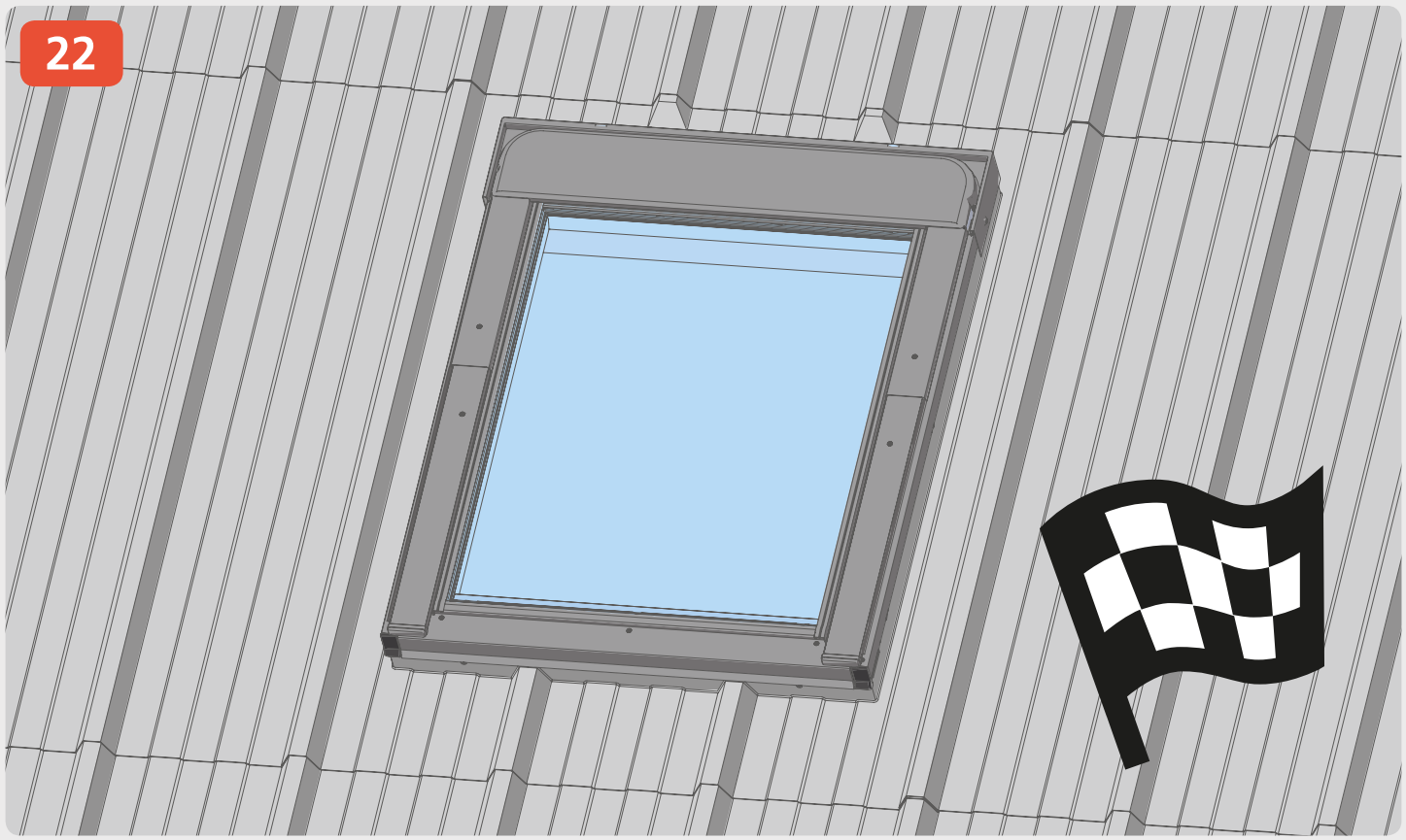
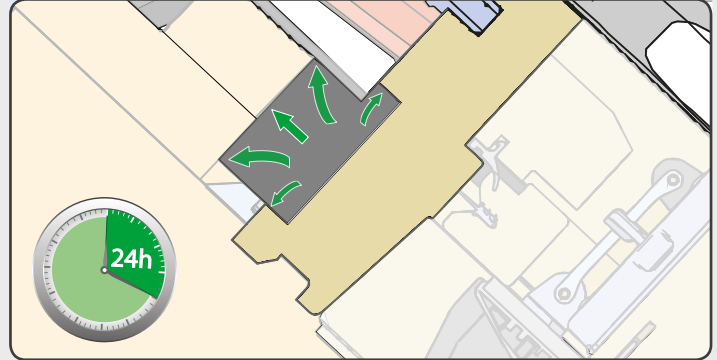
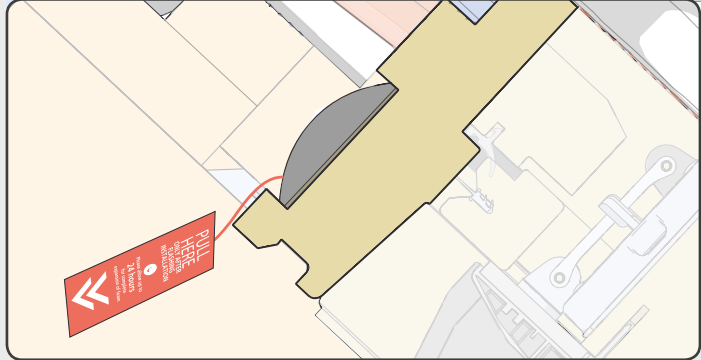
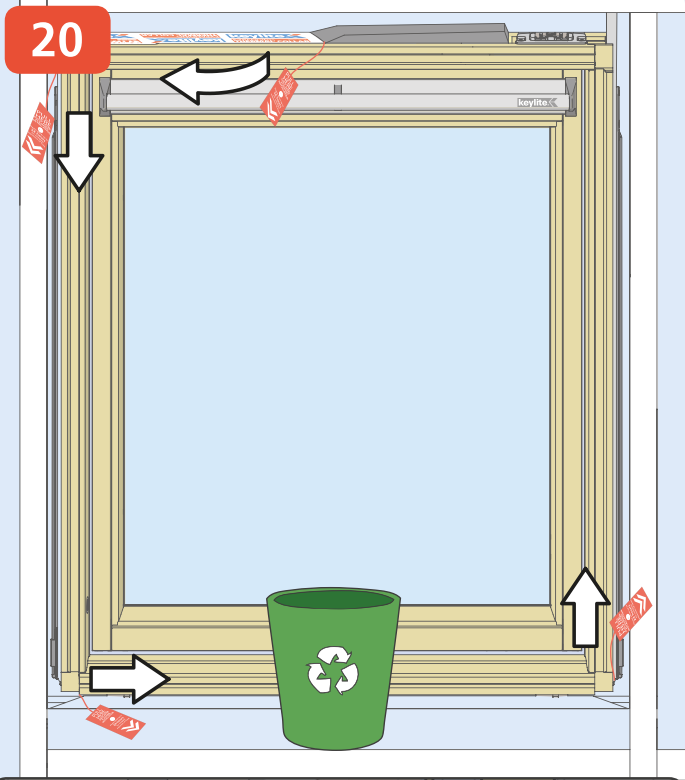


13

3x  25mm







keylite[®]
www.keyliteroofwindows.com