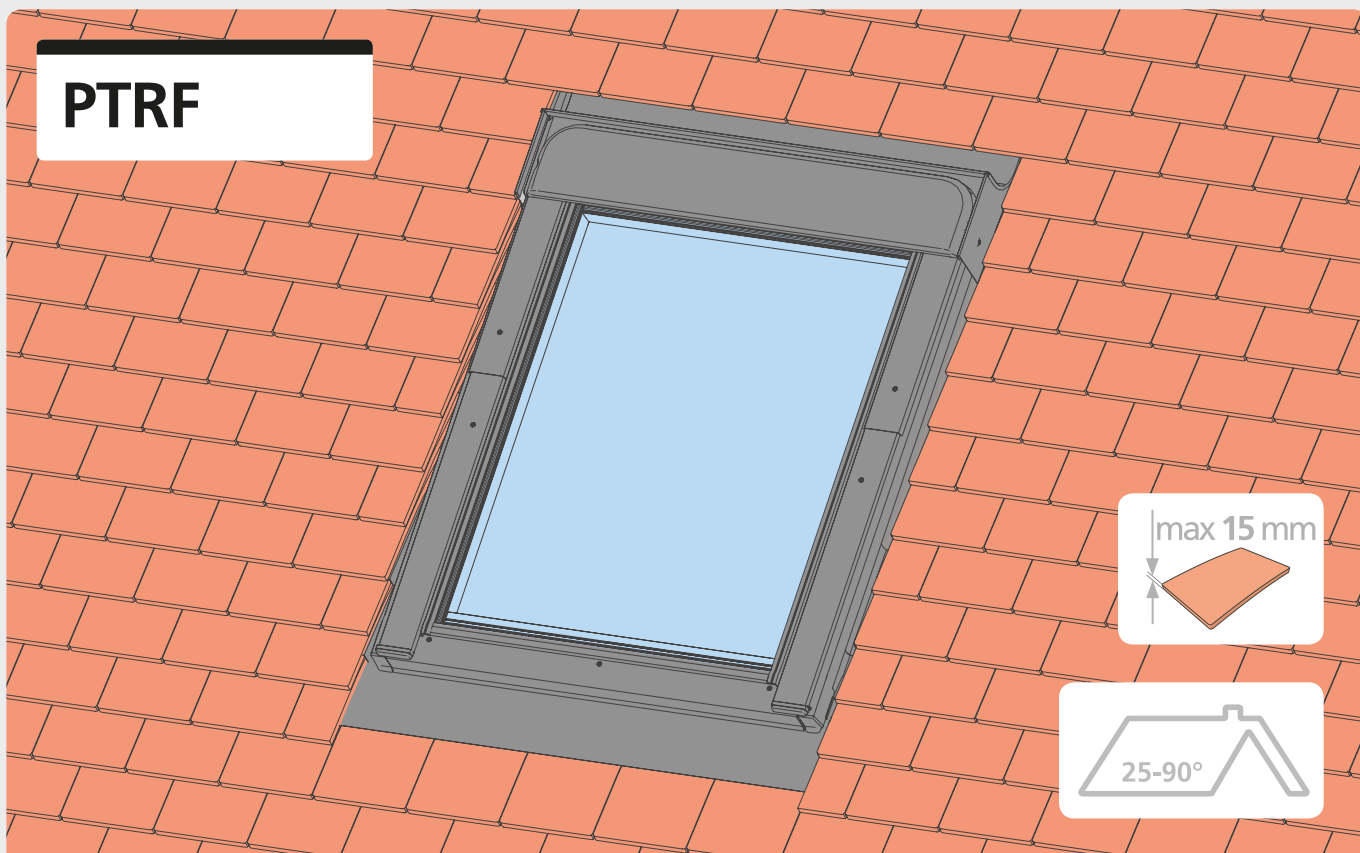
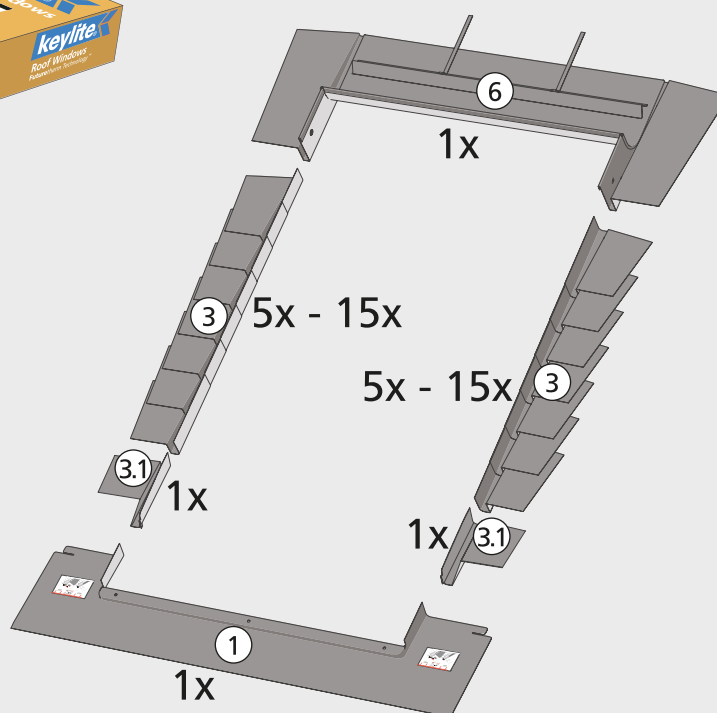
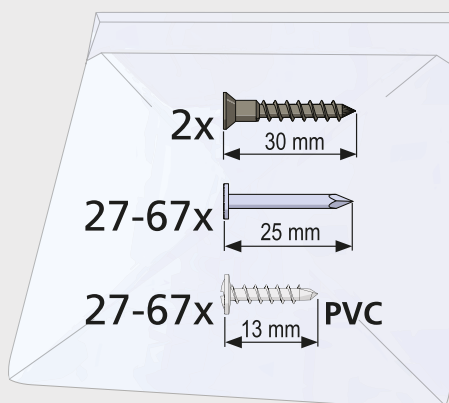




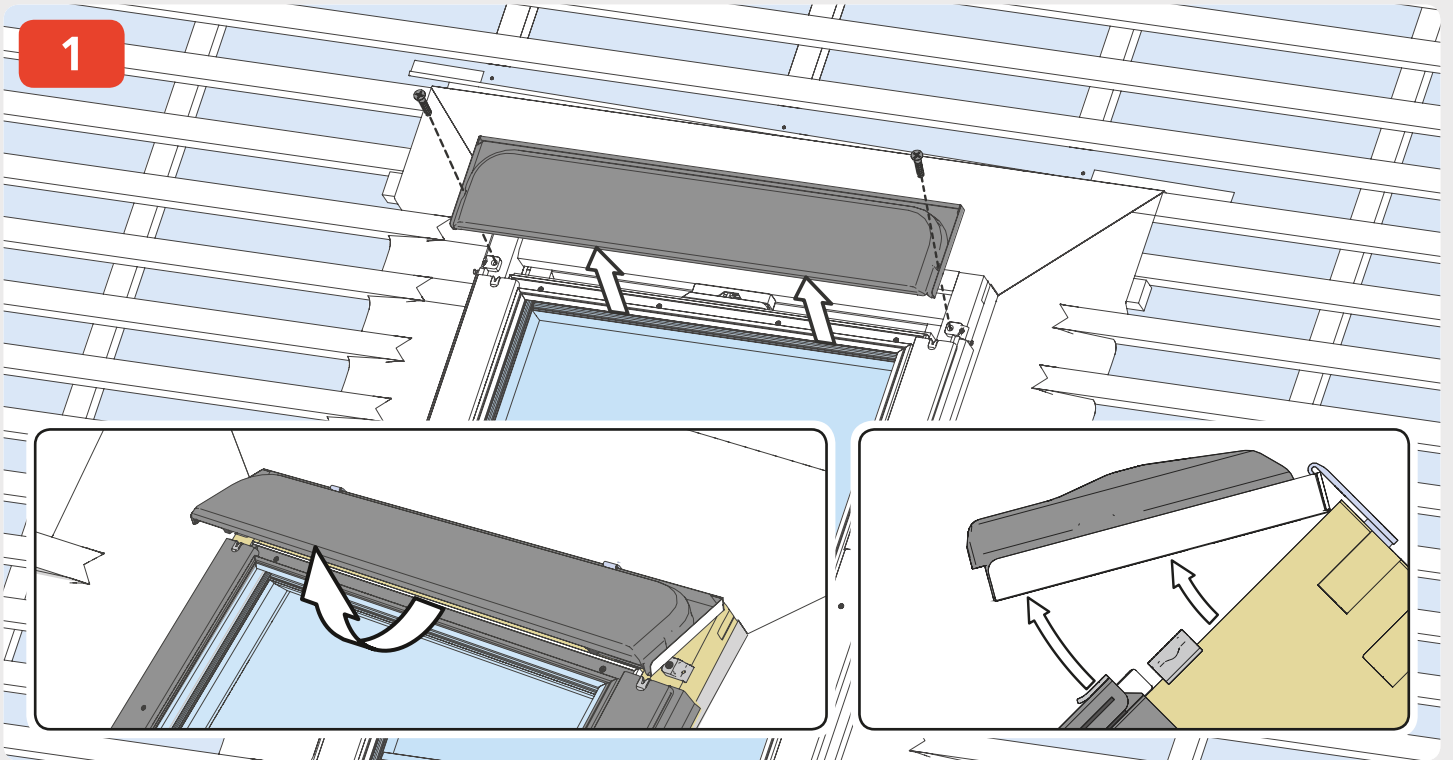
PTRF



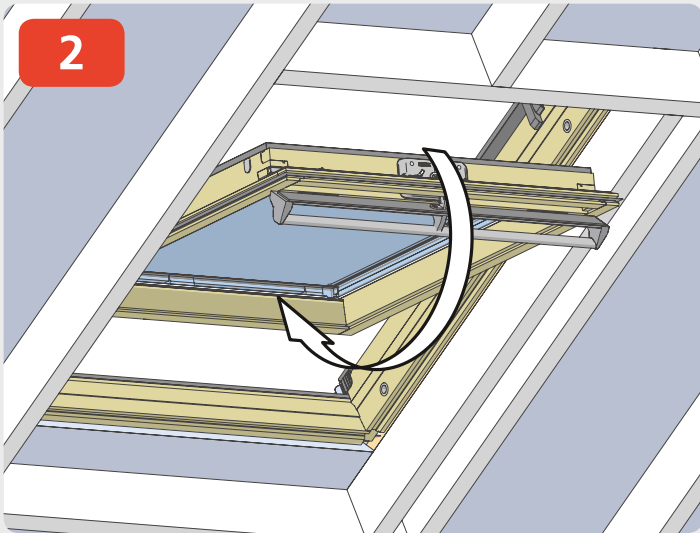
Futuretherm Technology™



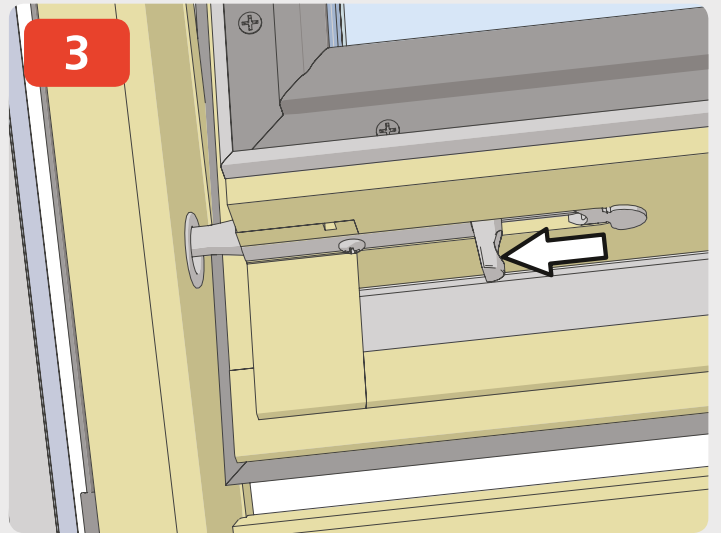
1



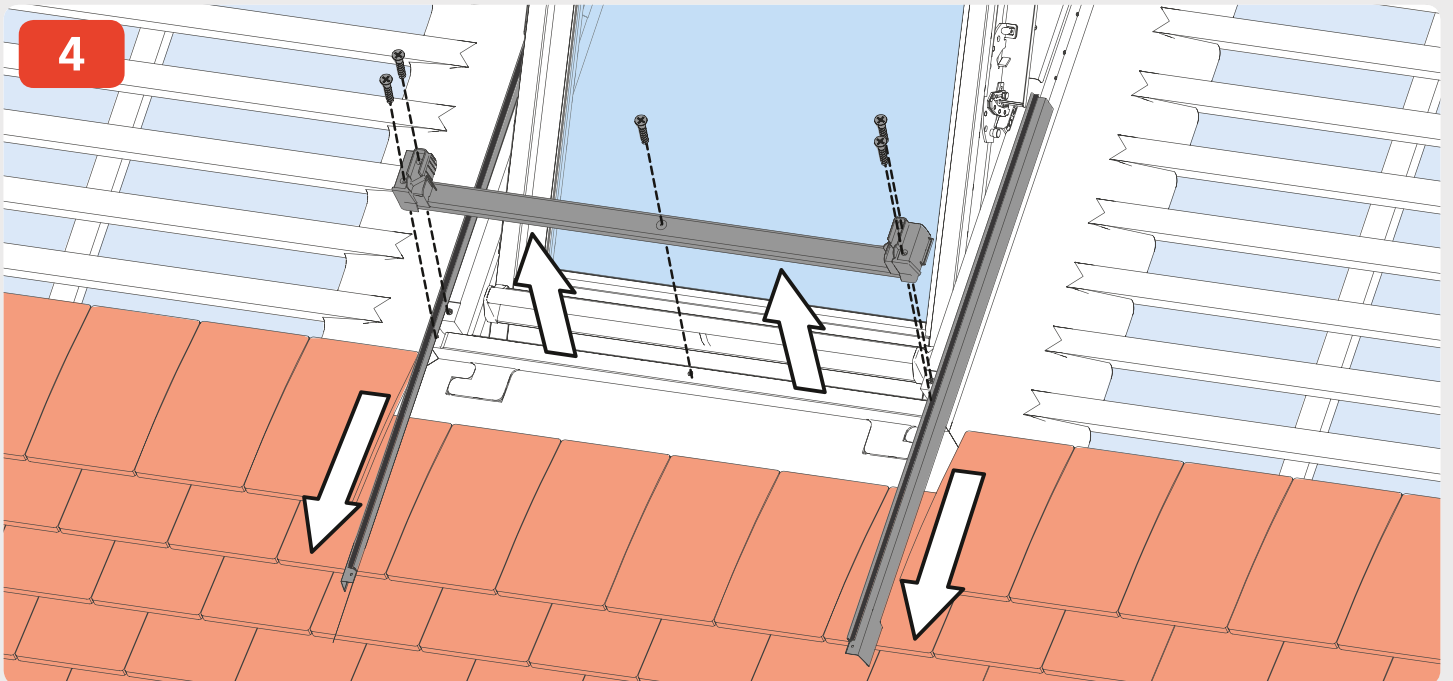
2

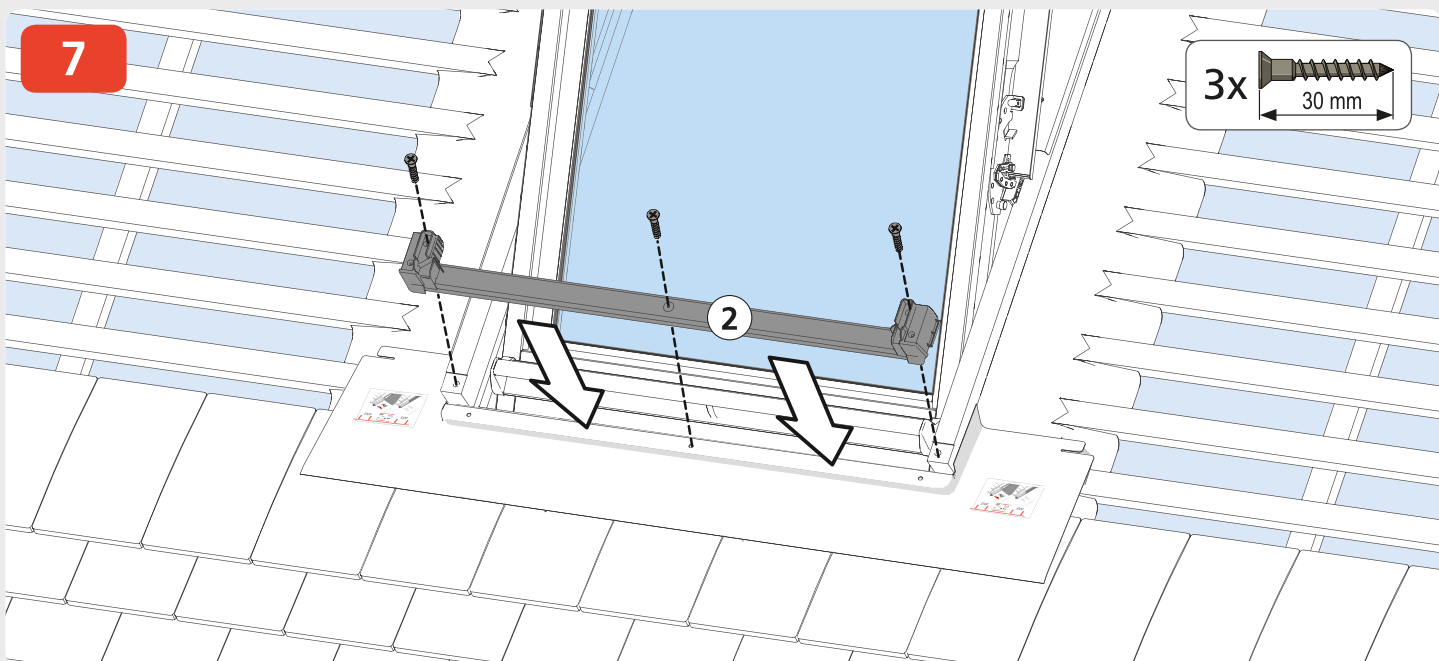
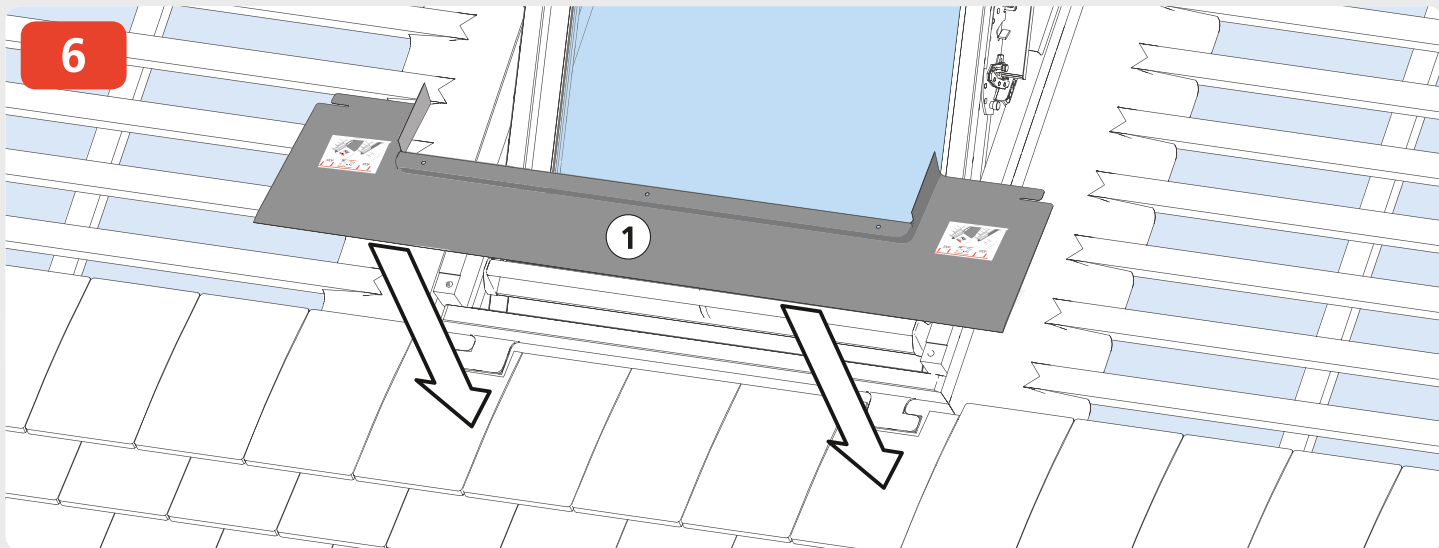
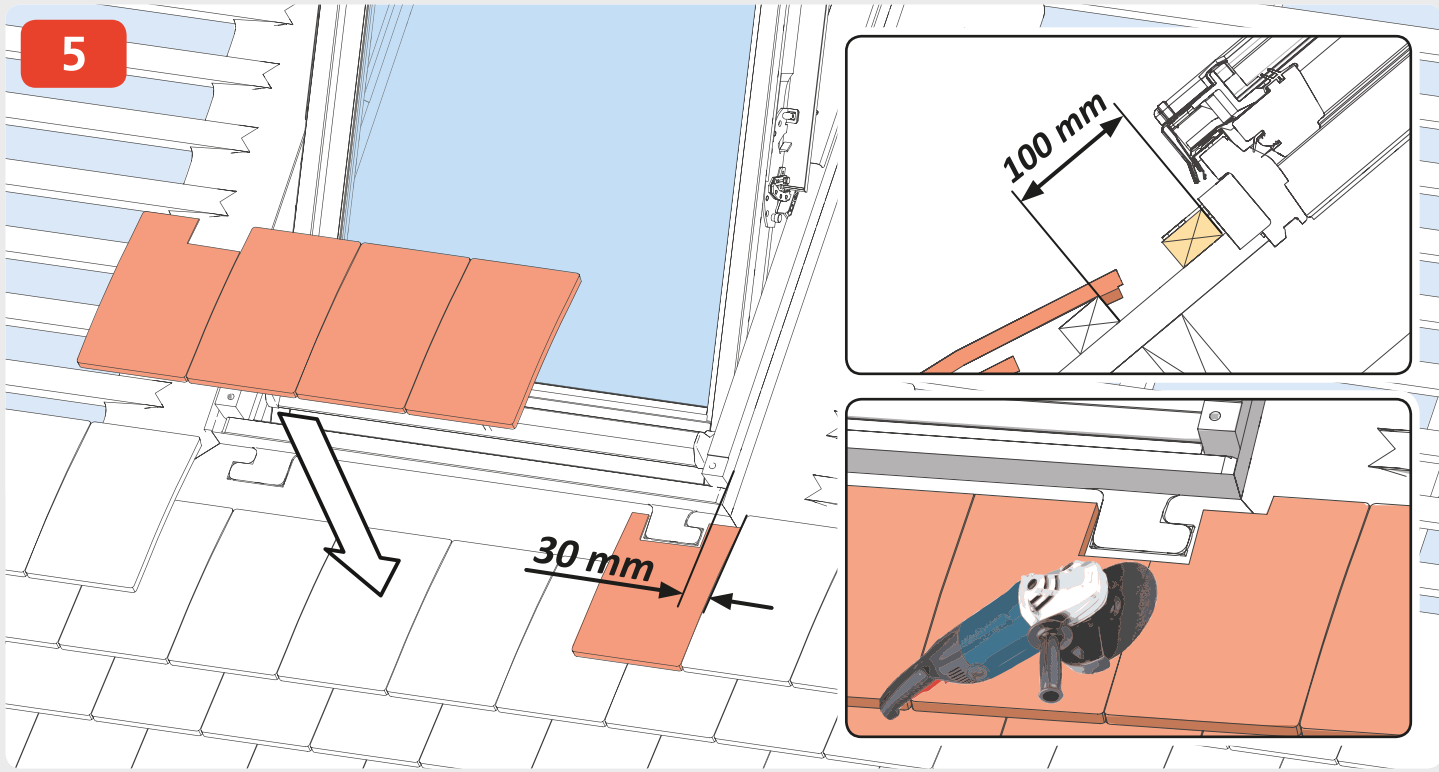


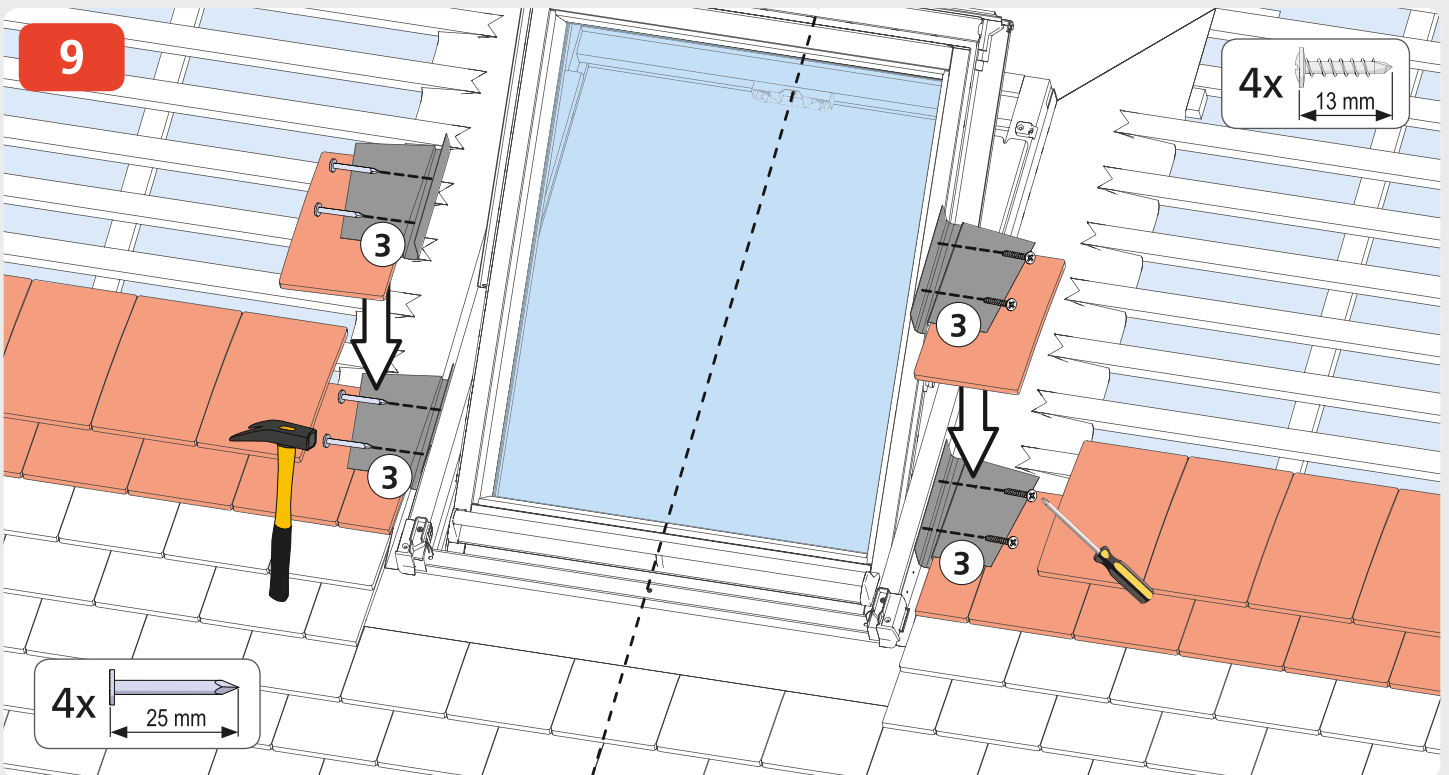
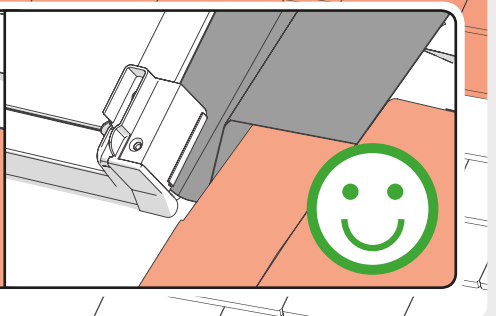
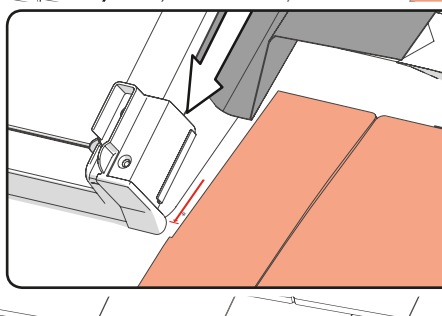
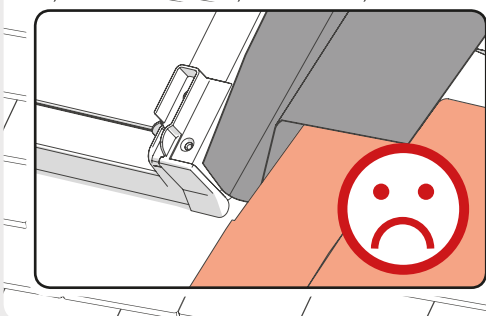
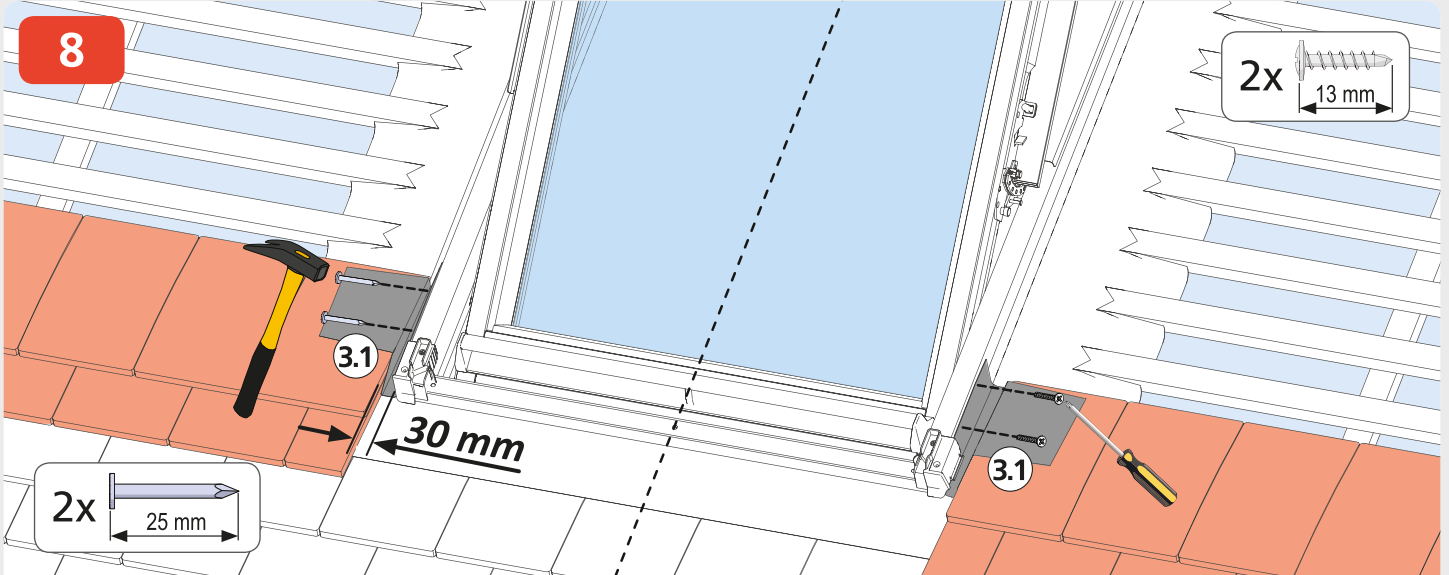
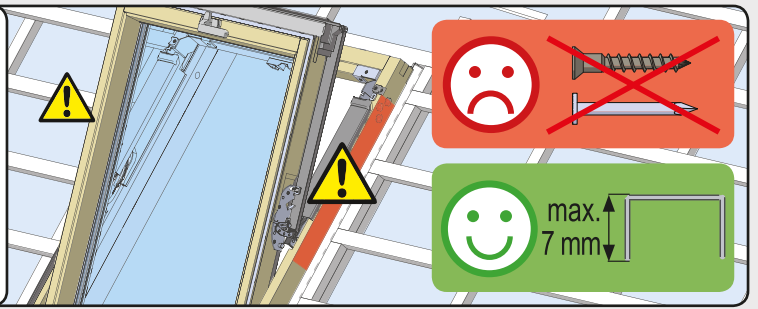
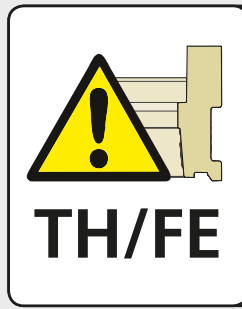
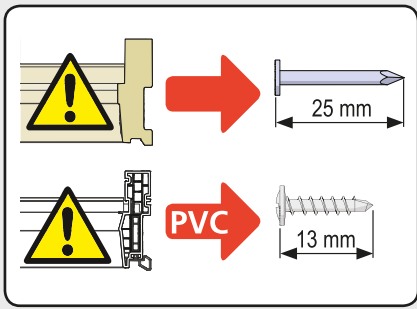
3

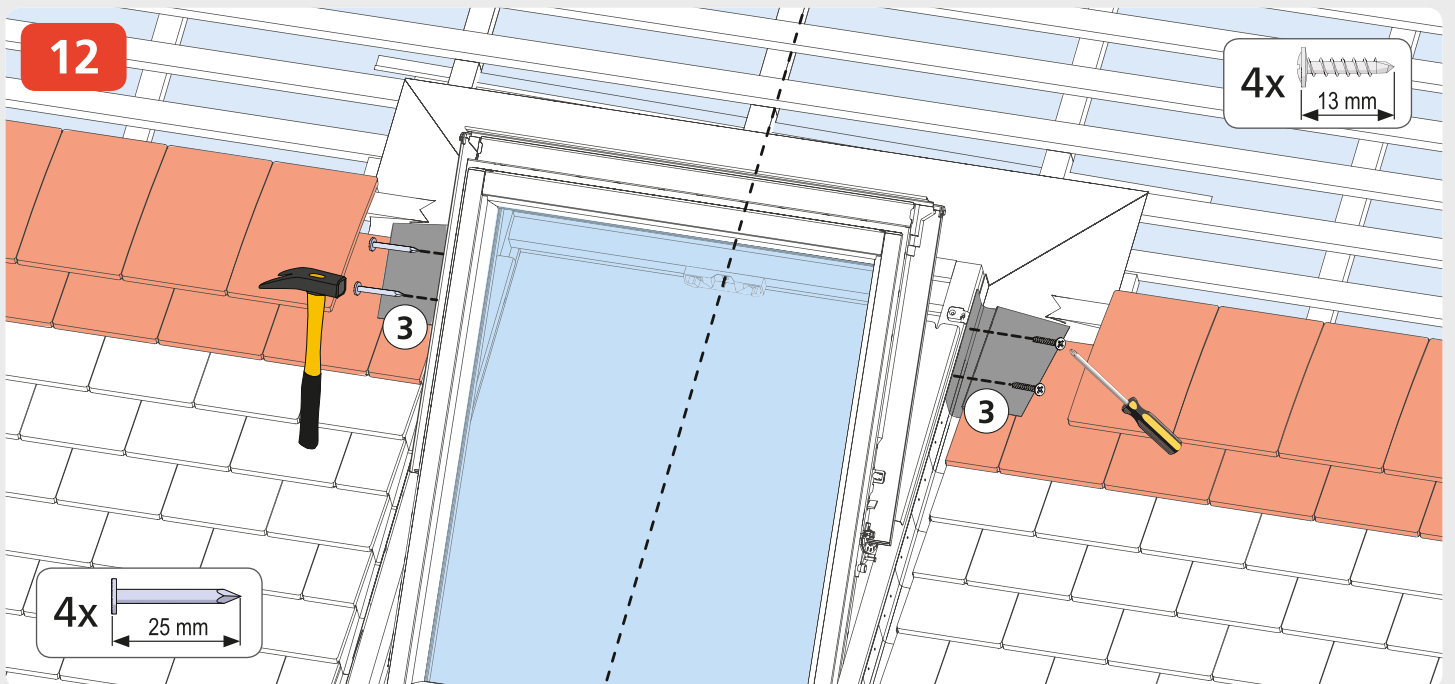
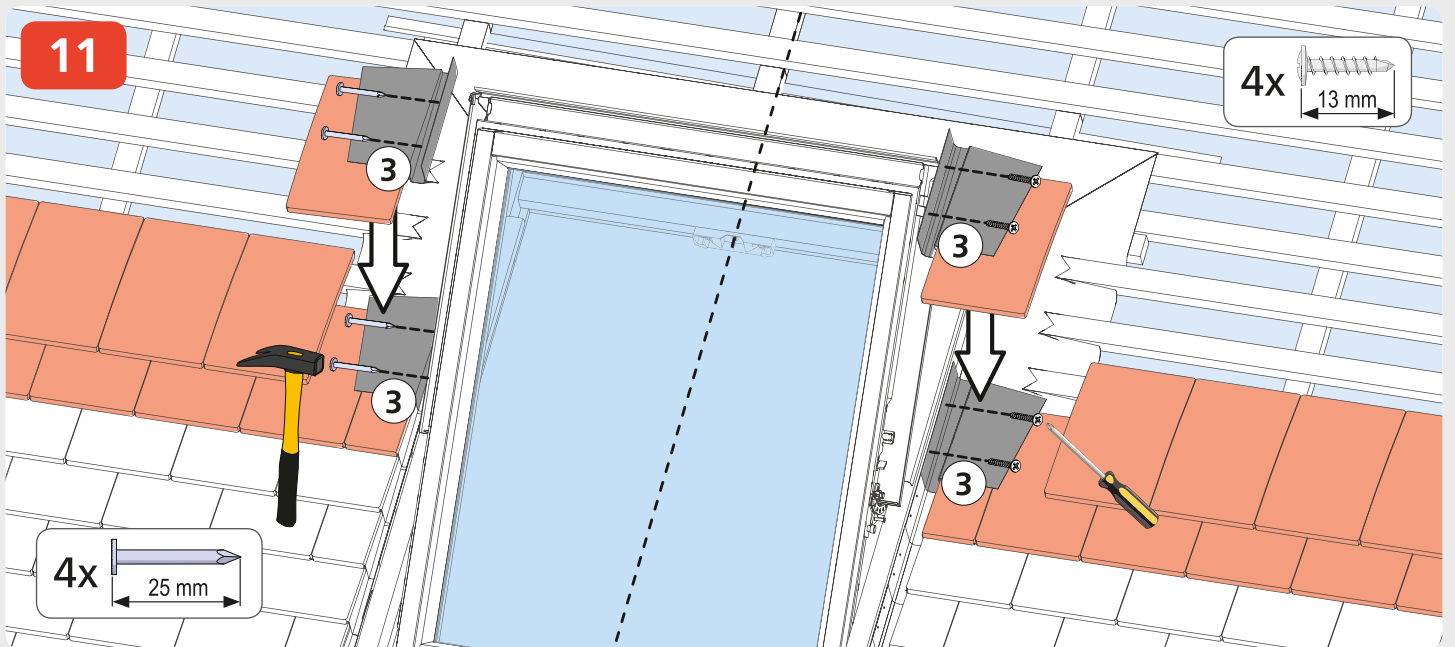
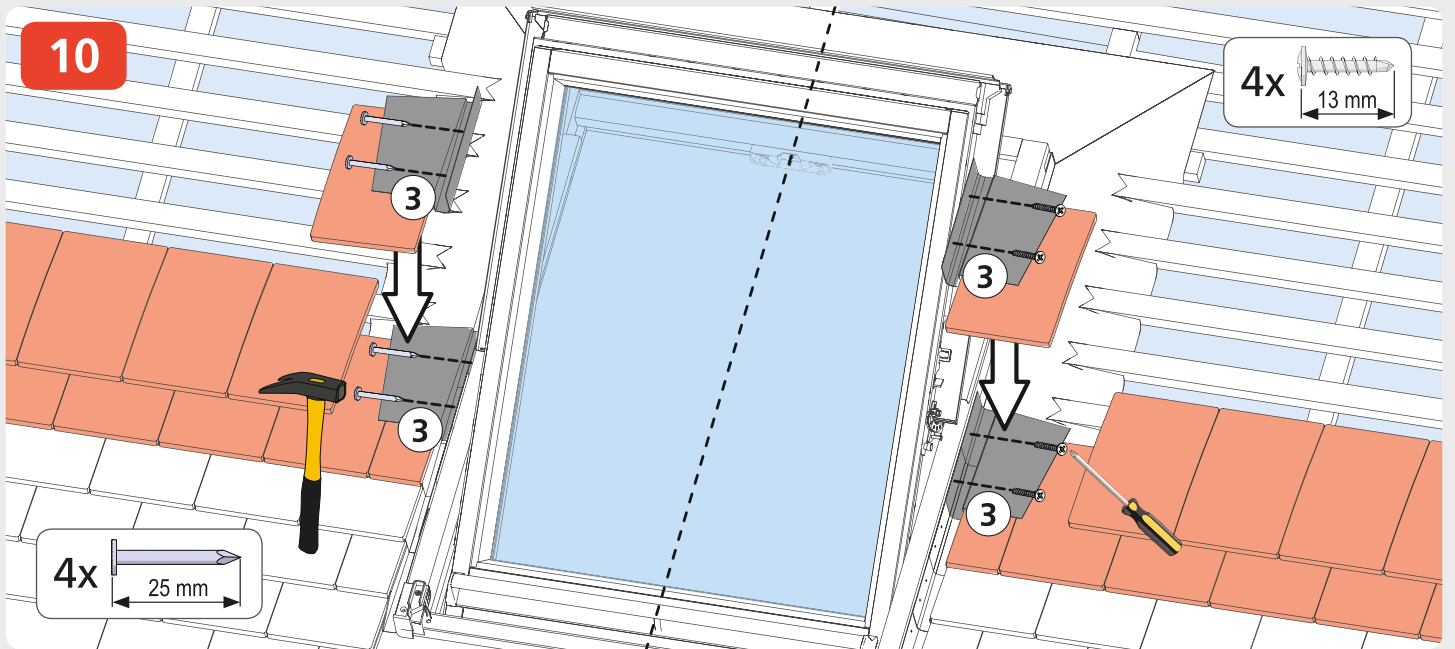


4




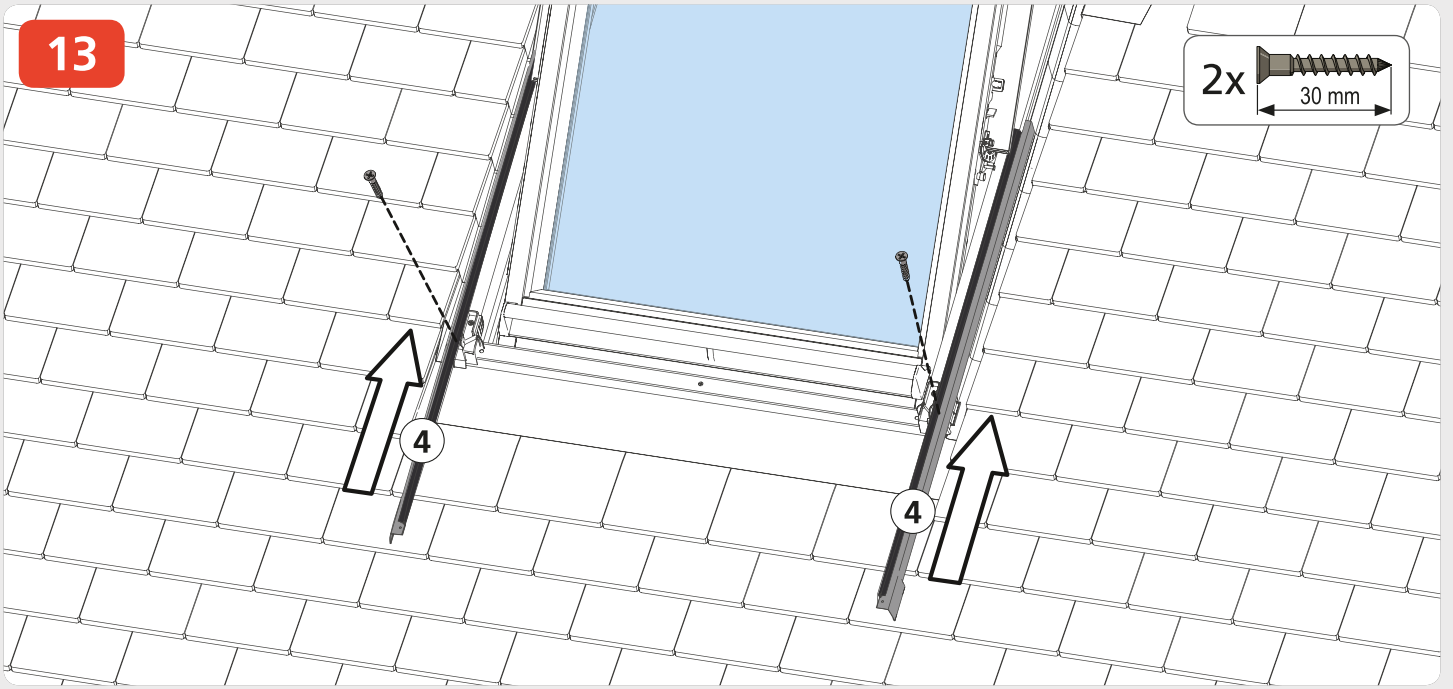




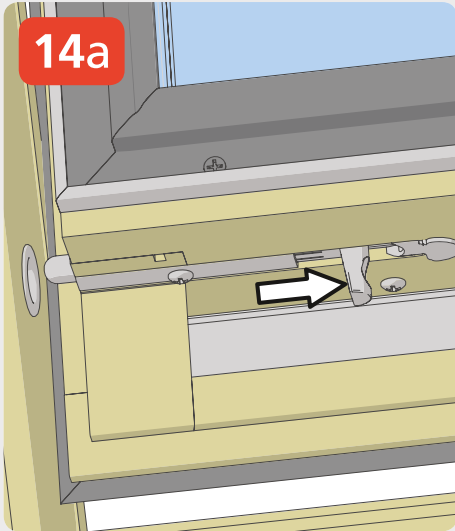


13

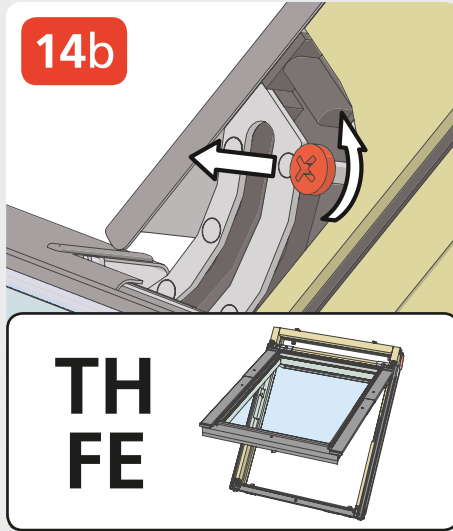
2x  30 mm



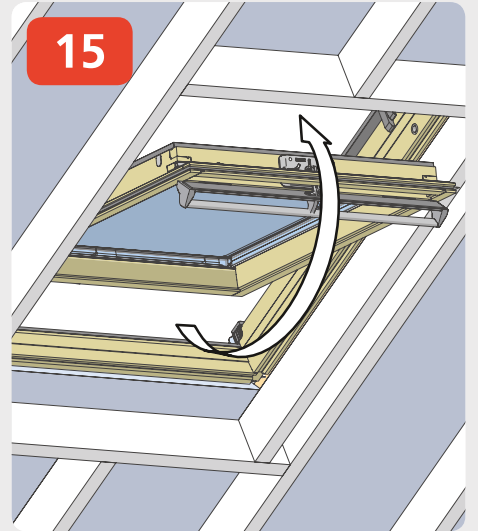
14a




14b

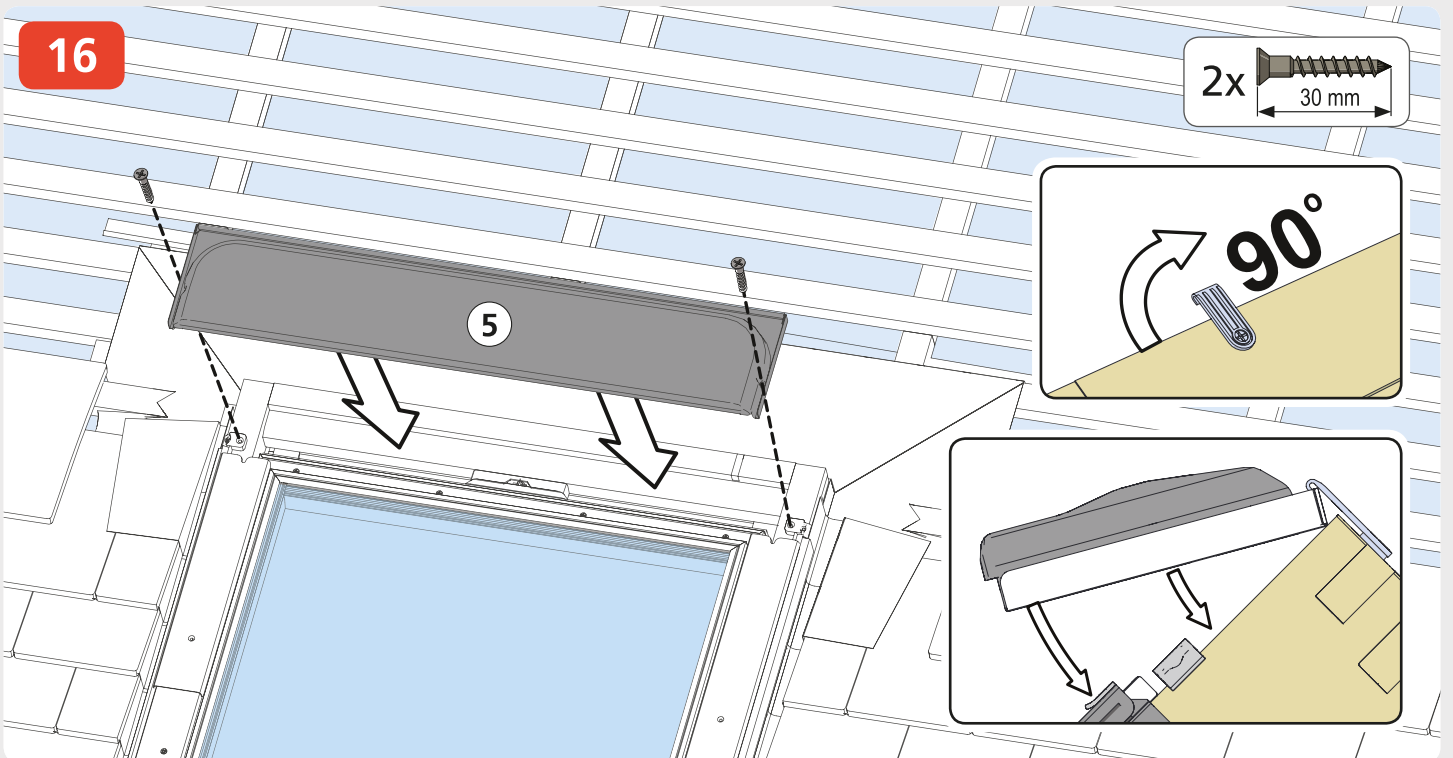


15

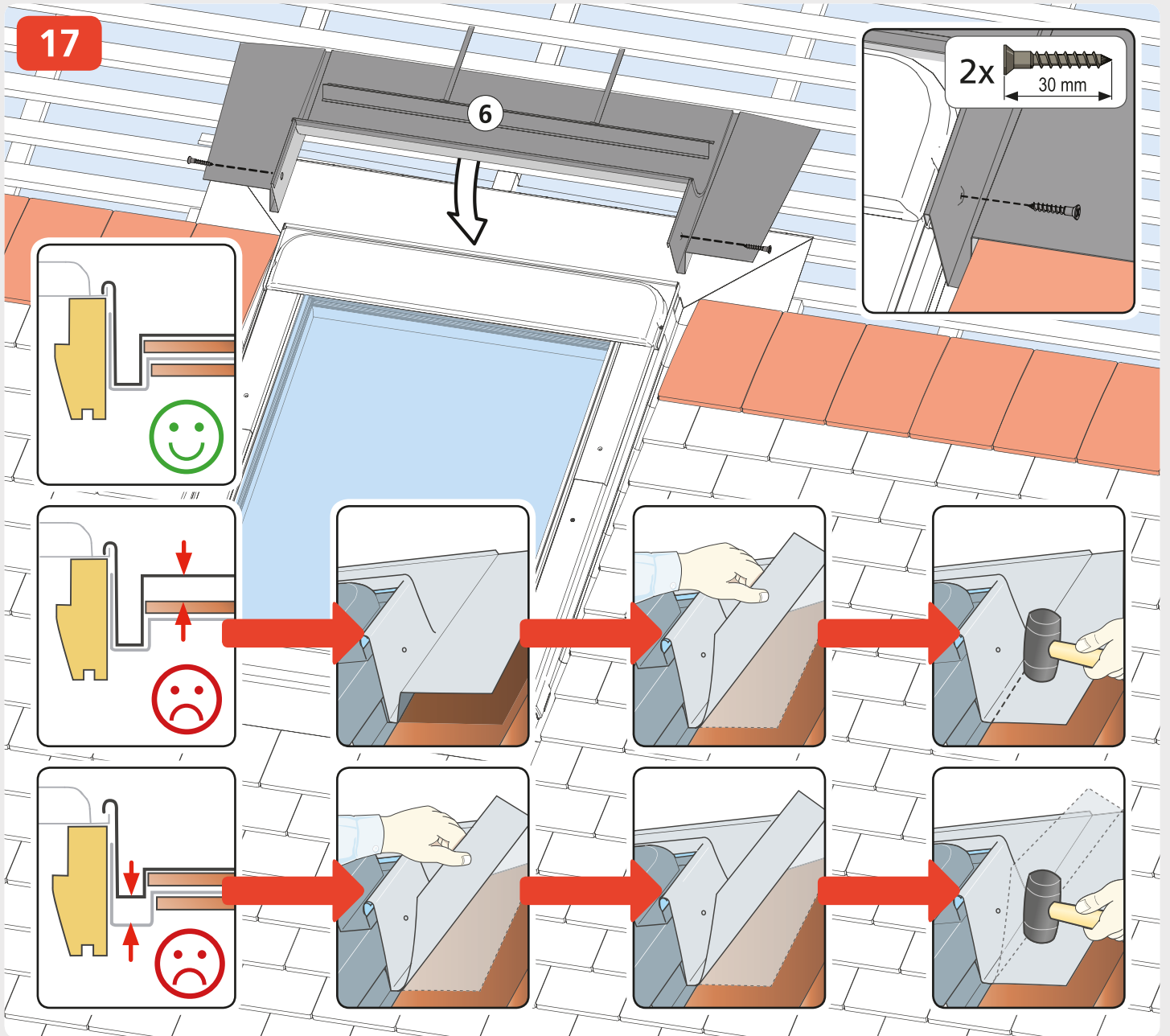


16

2x  30 mm



17



18

