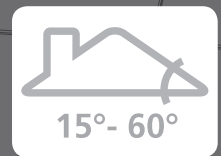
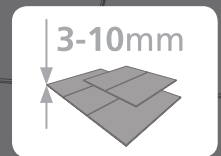
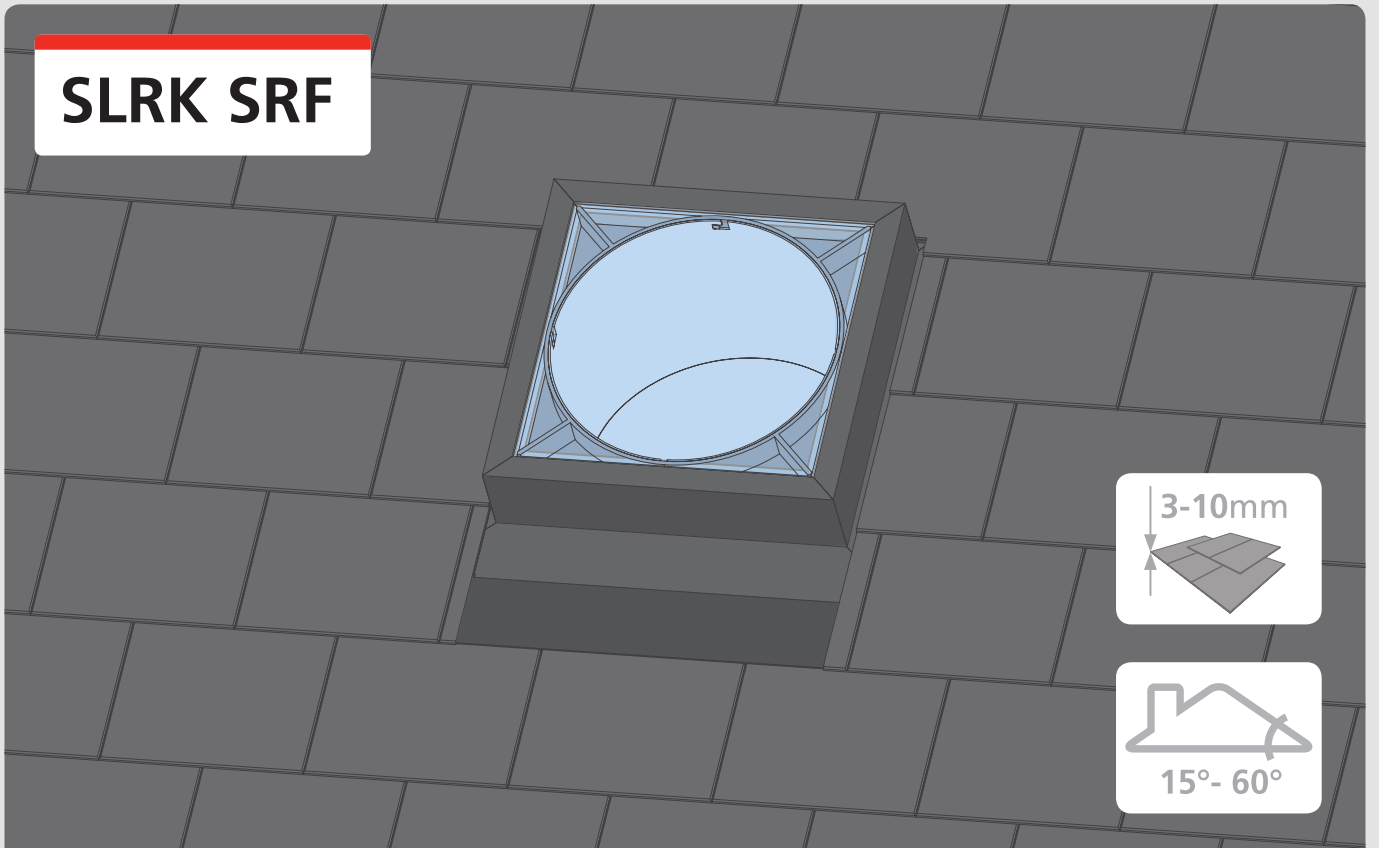
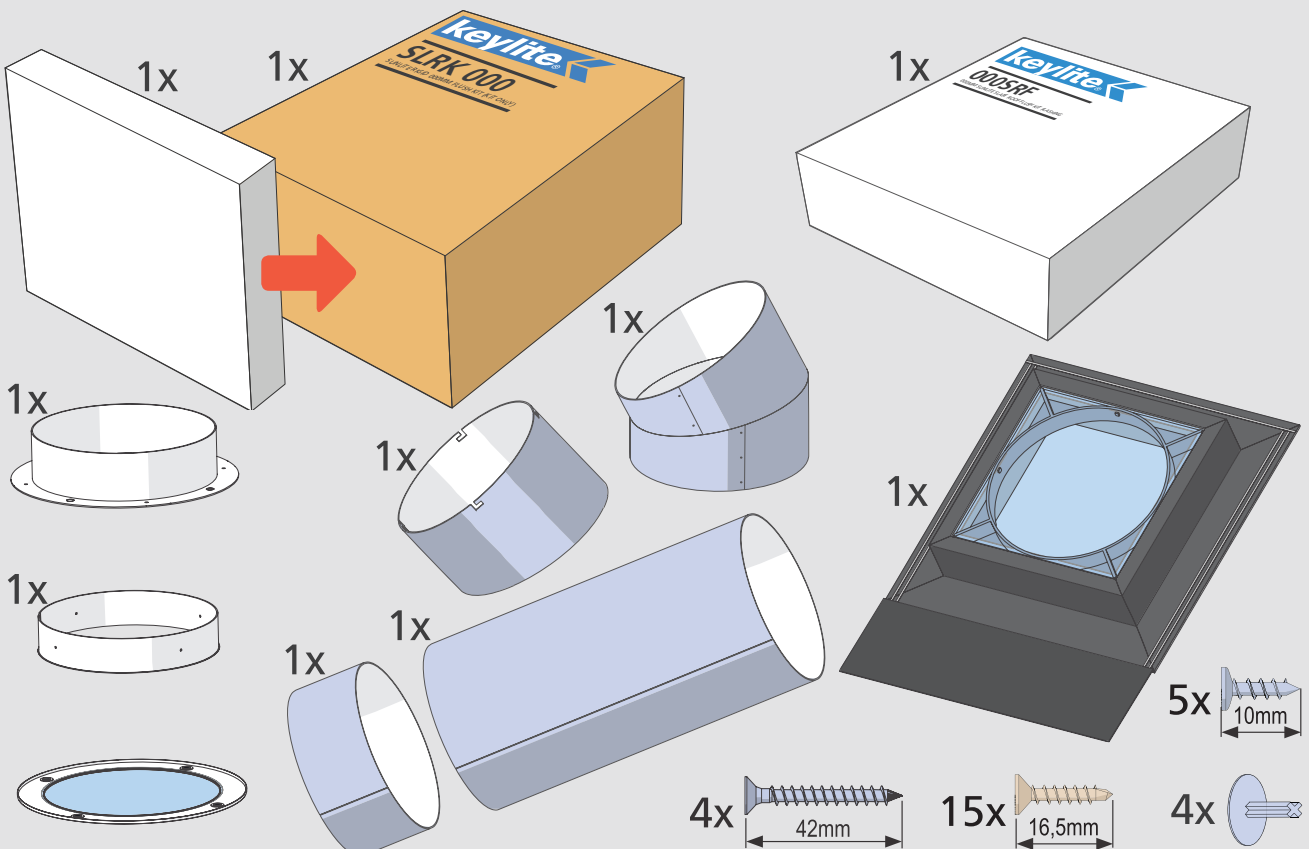






SLRK SRF

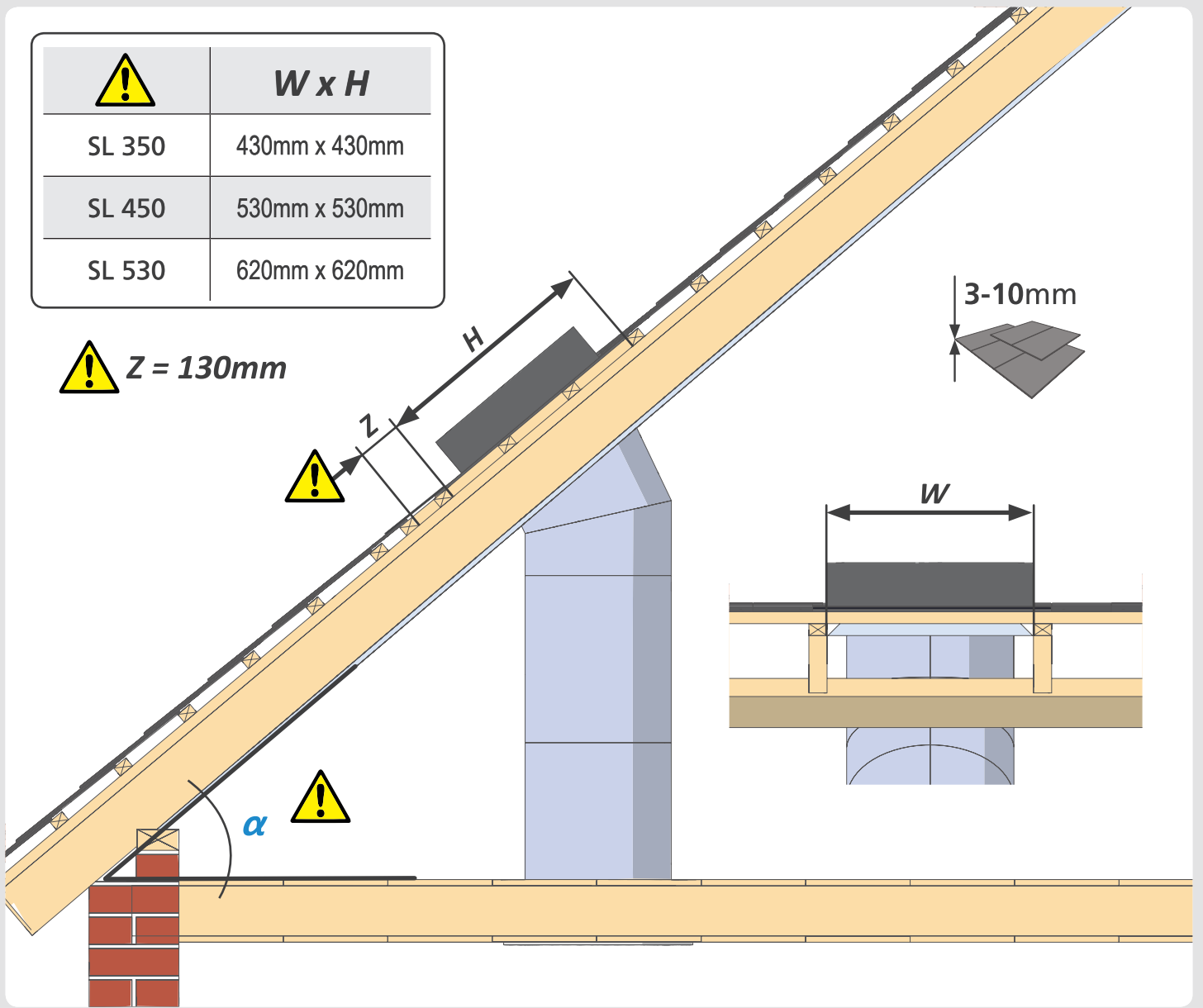


Sun Lite™

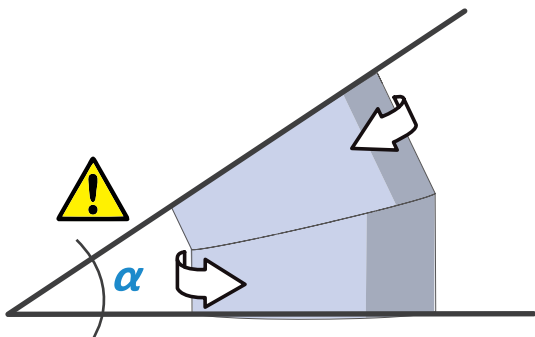


	$W \times H$
SL 350	430mm x 430mm
SL 450	530mm x 530mm
SL 530	620mm x 620mm

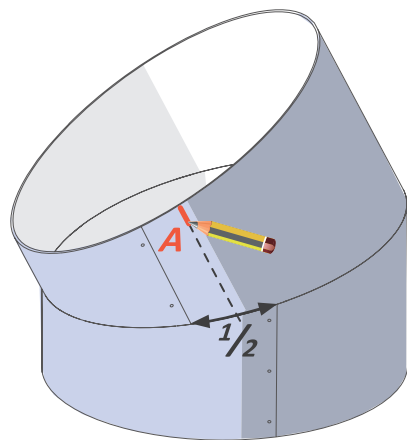
 $Z = 130\text{mm}$



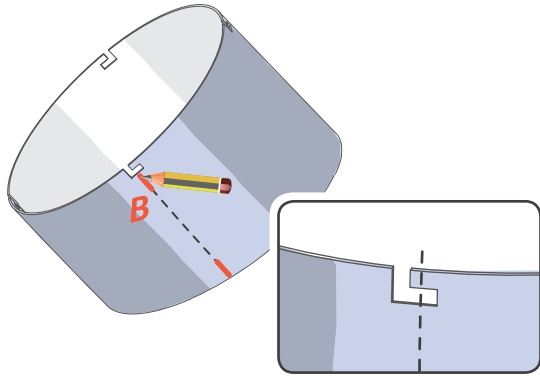
1



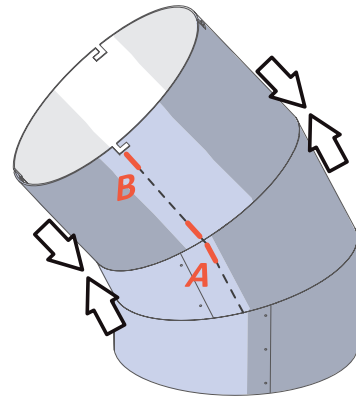
2



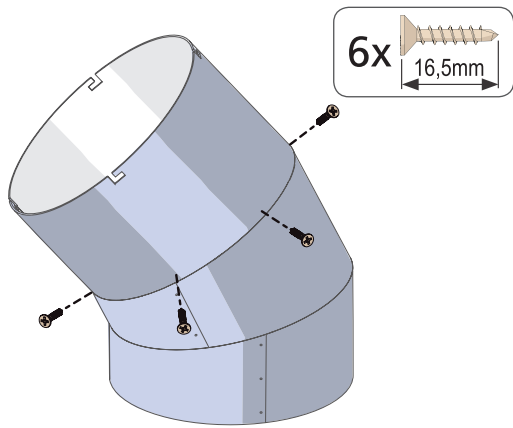
3



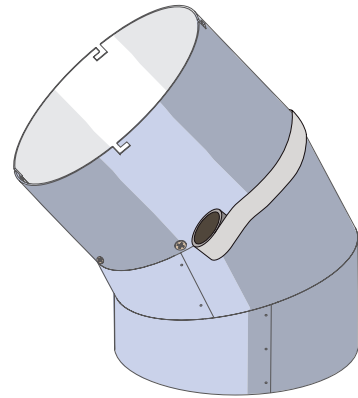
4



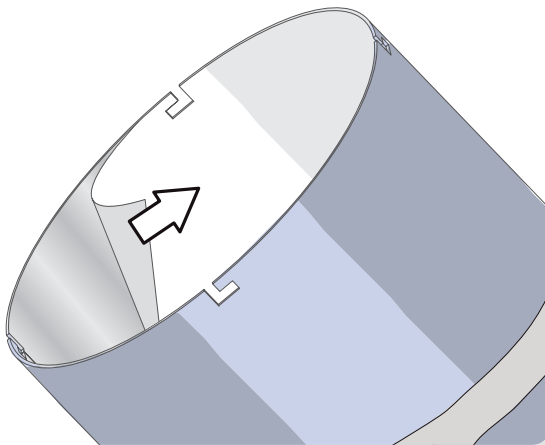
5



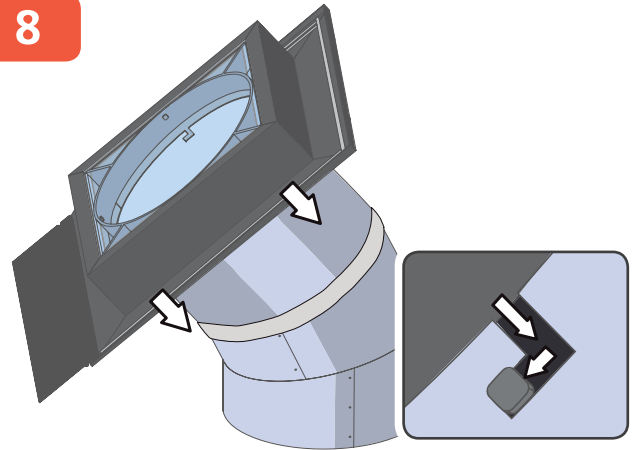
6



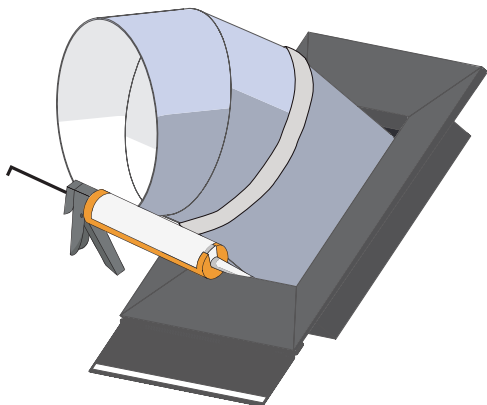
7



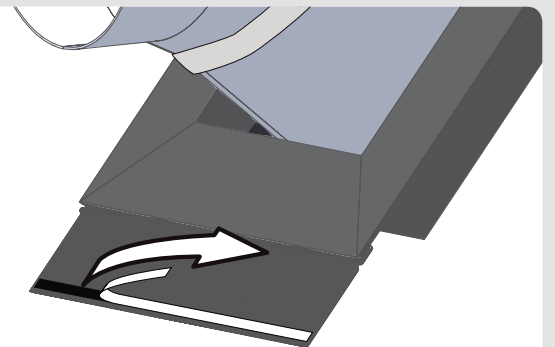
8

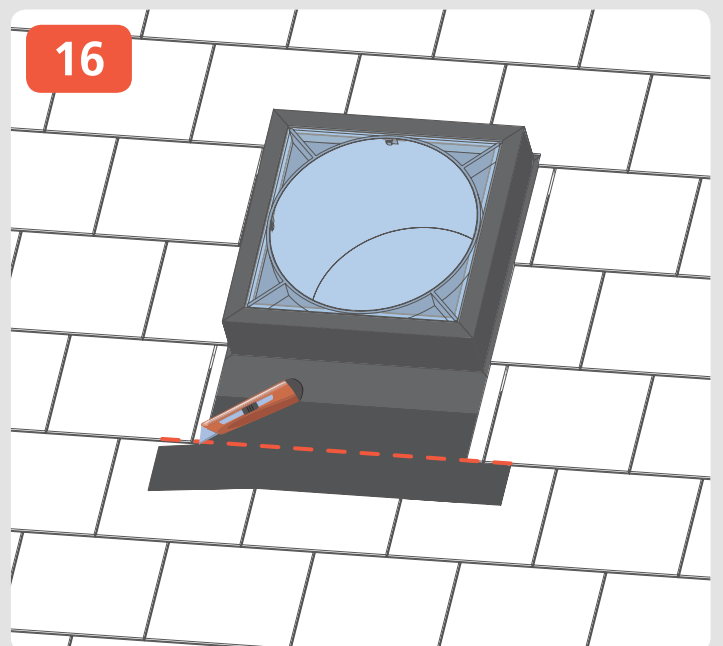
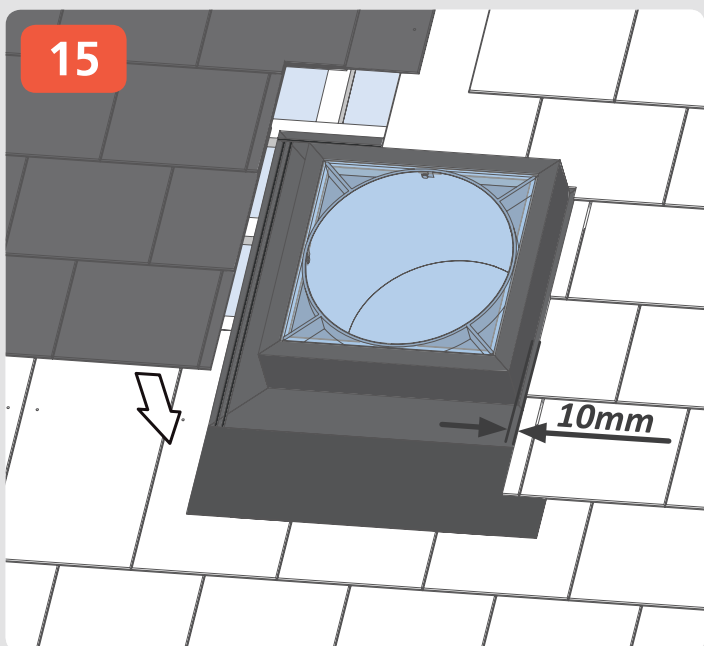
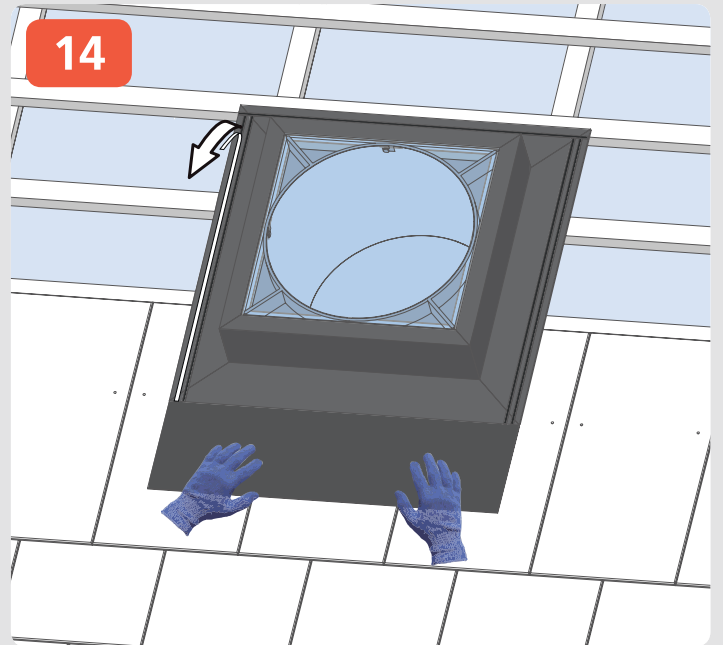
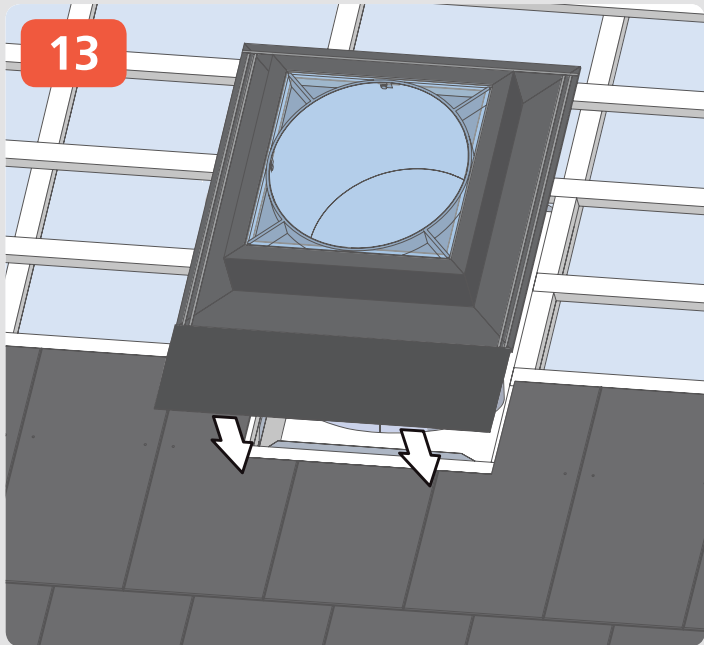
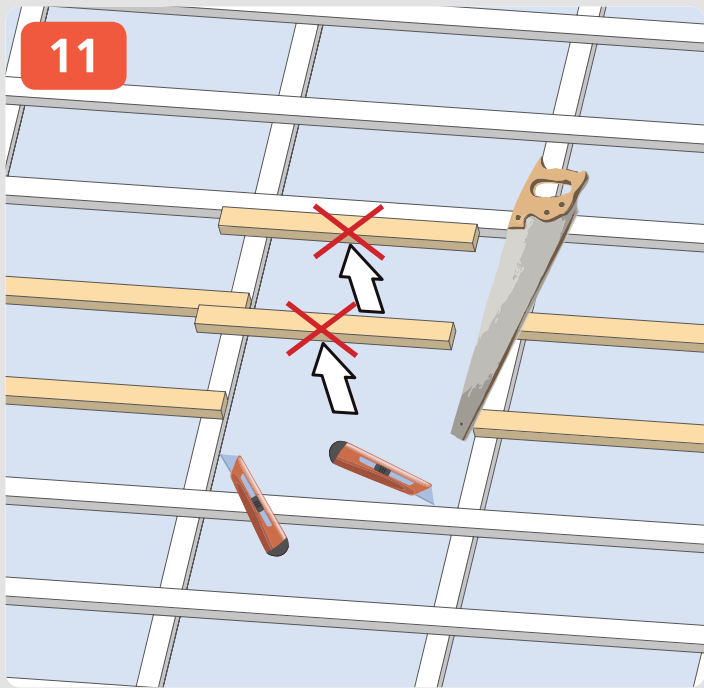


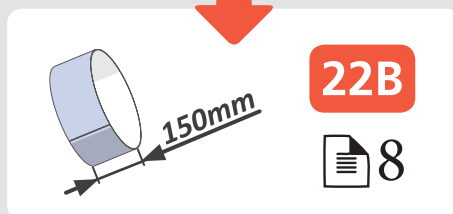
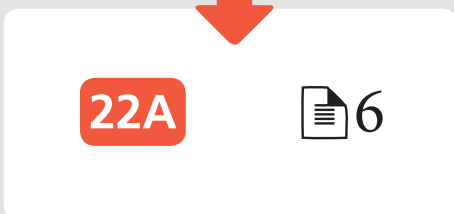
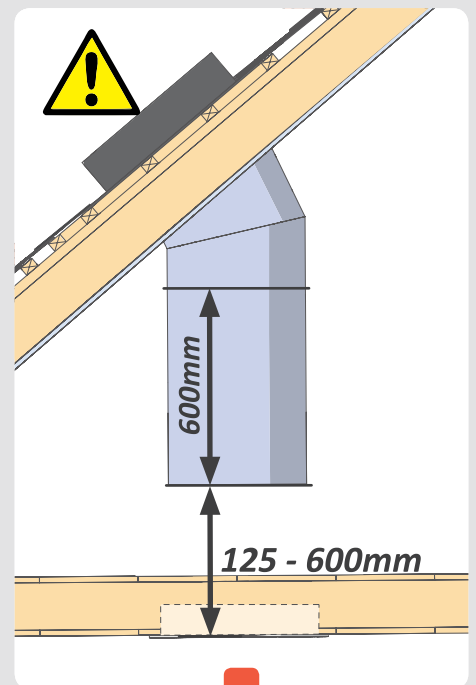
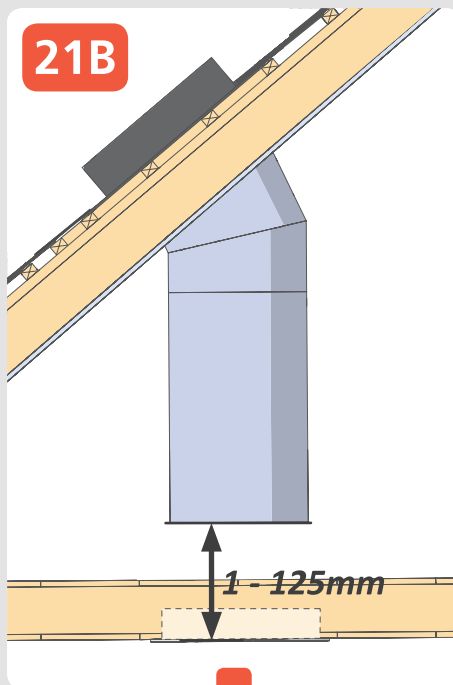
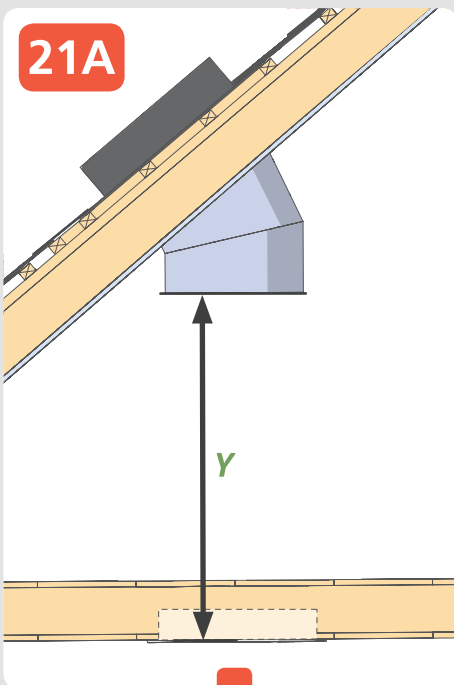
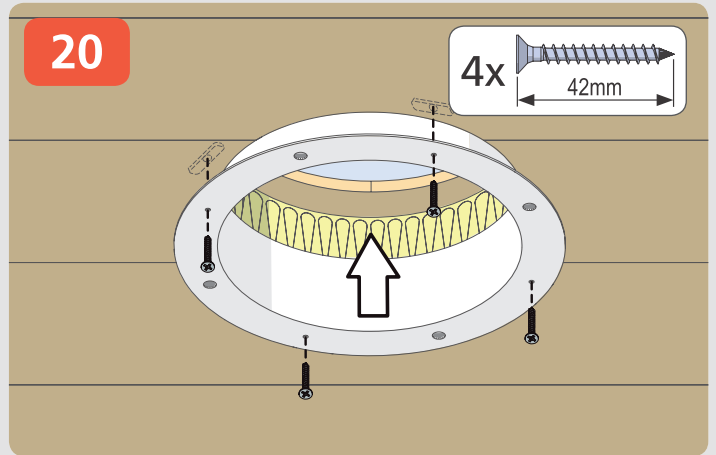
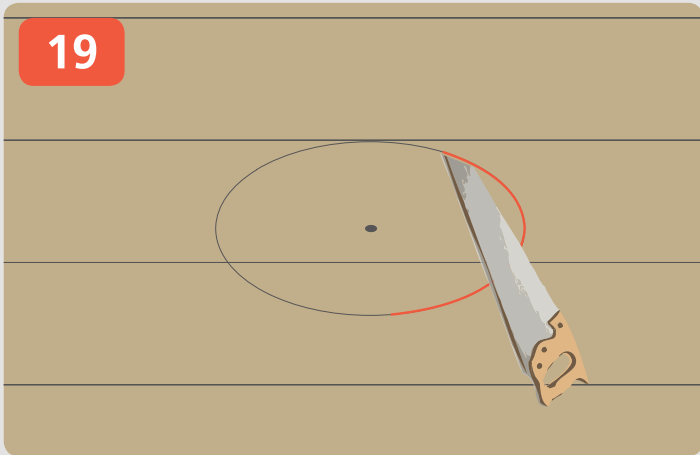
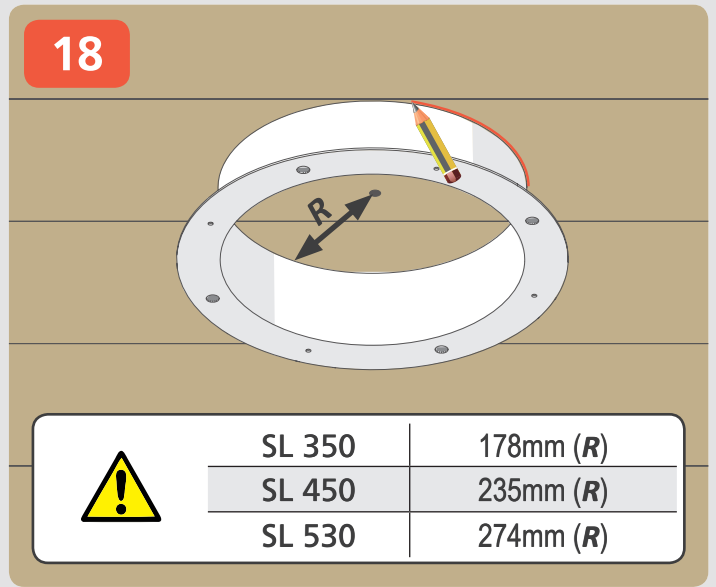
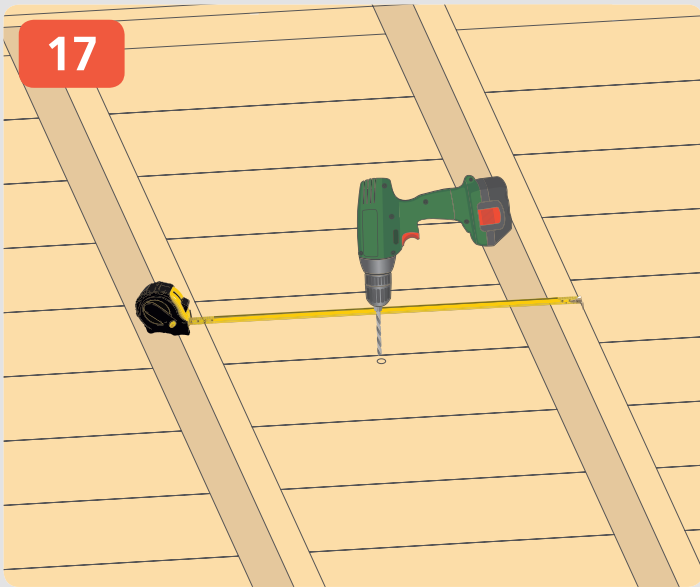
9



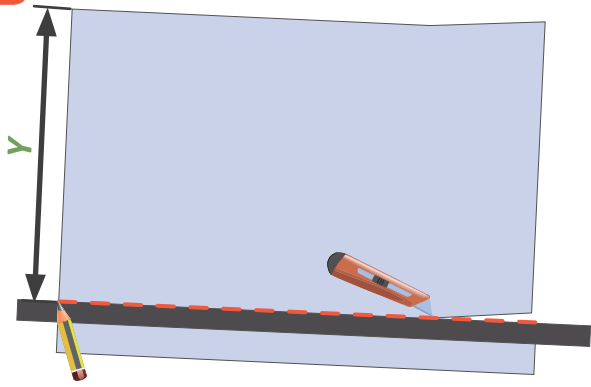
10



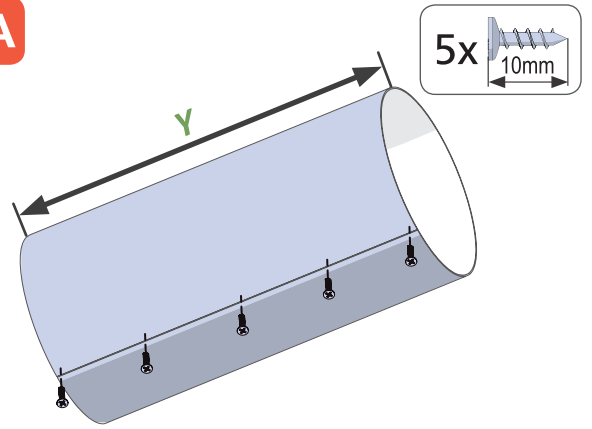




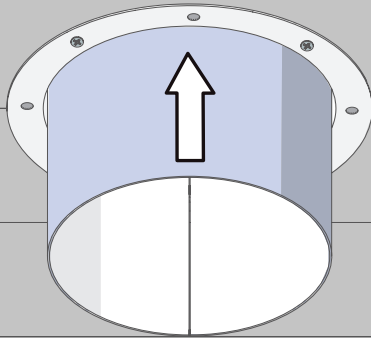
22A



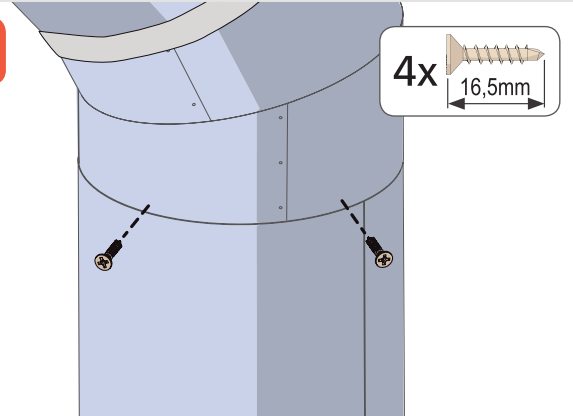
23A



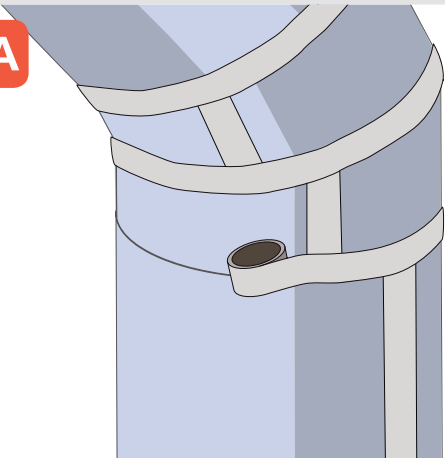
24A



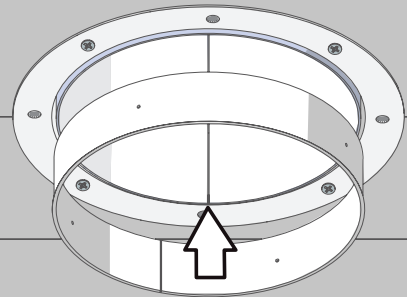
25A



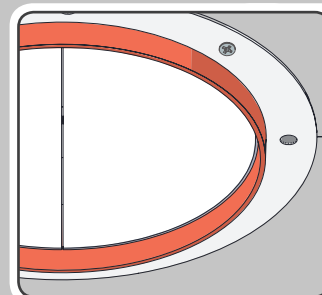
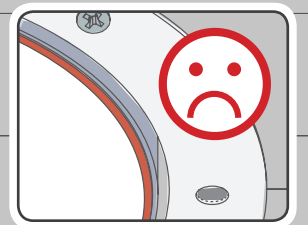
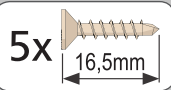
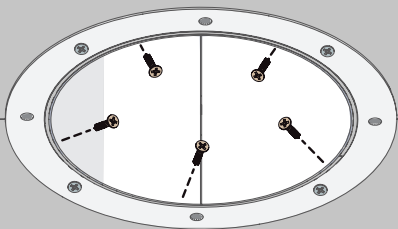
26A



27A

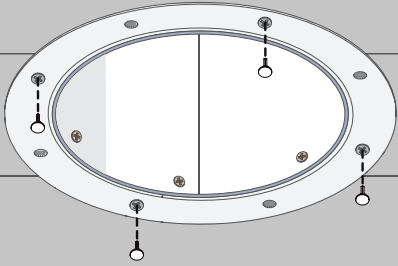


28A

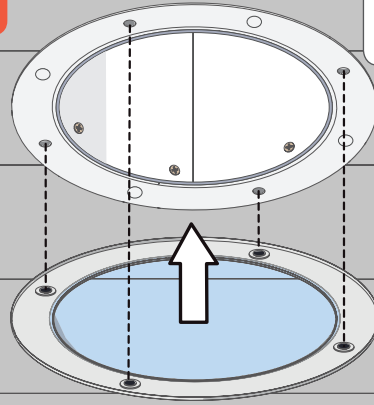


29A

4x 



30A

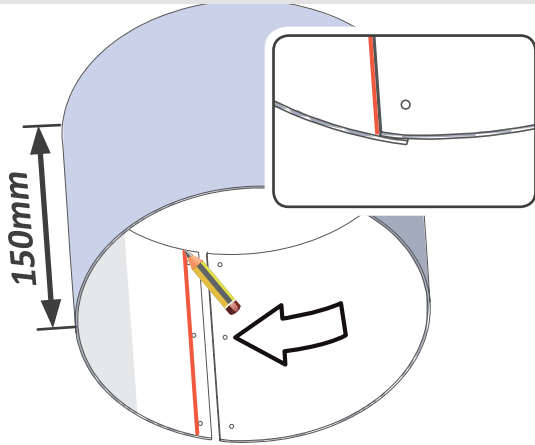


32

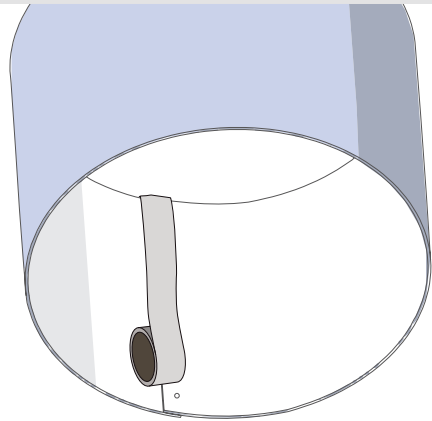
 8

22B

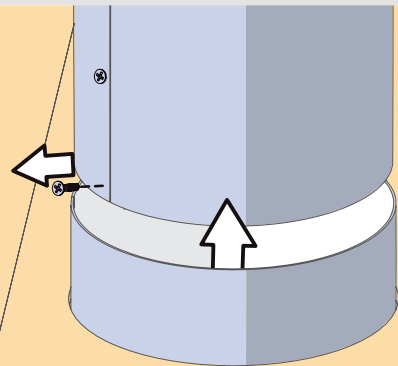
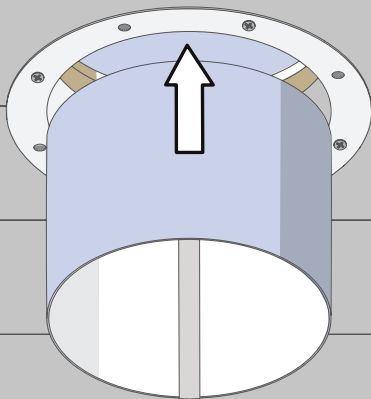
150mm



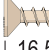
23B

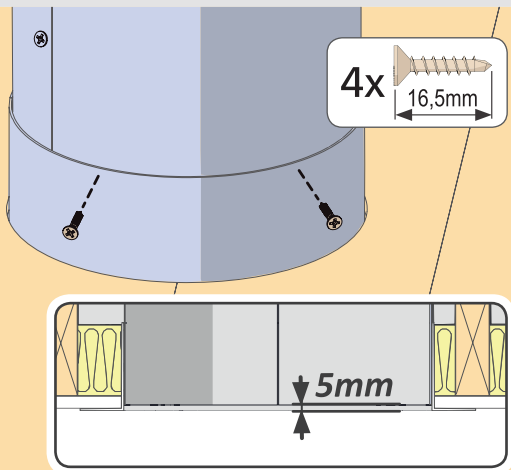


24B

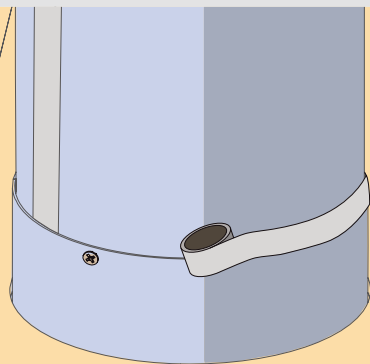


25B

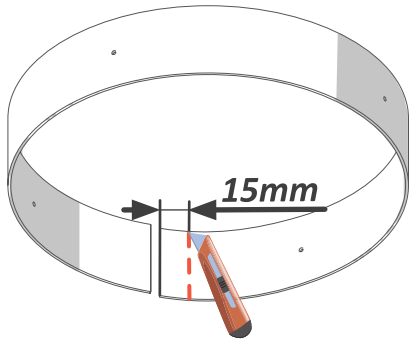
4x  16,5mm



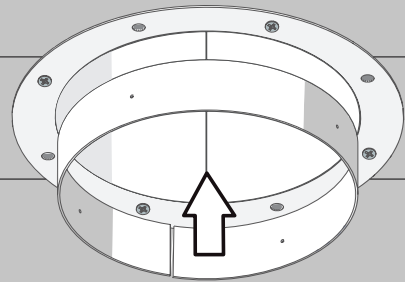
26B



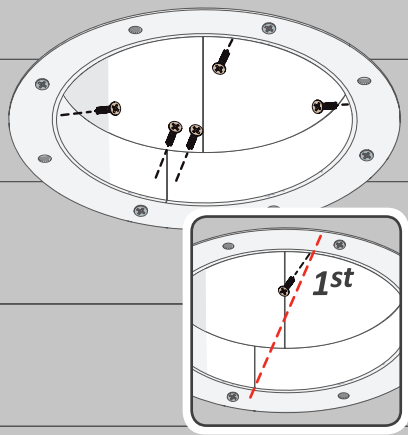
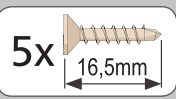
27B



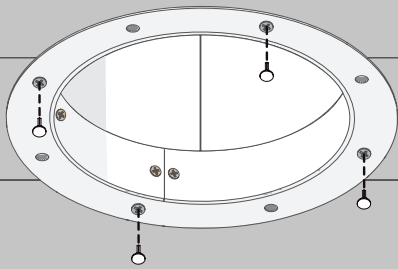
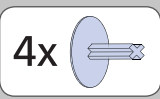
28B



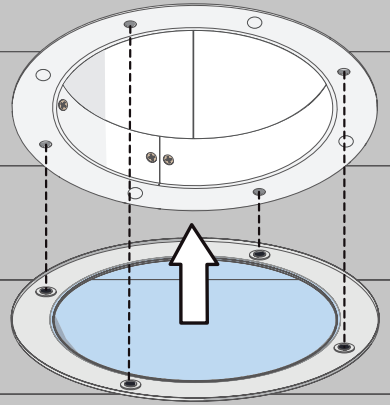
29B



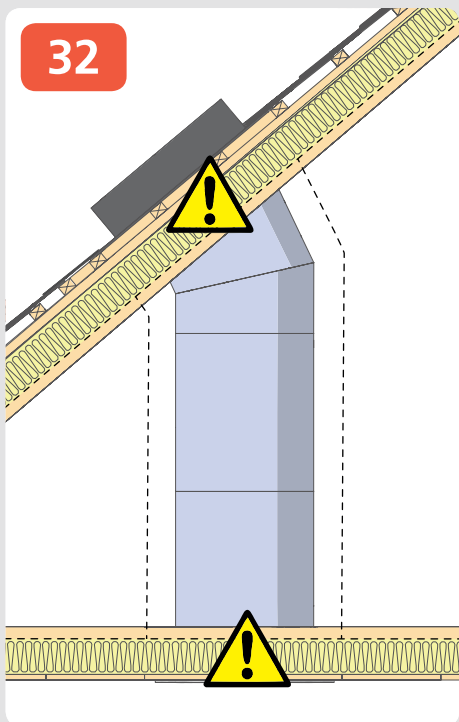
30B



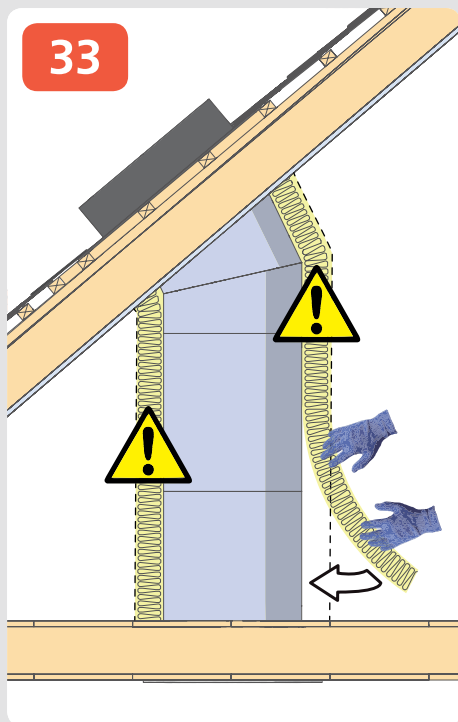
31B



32



33



34

