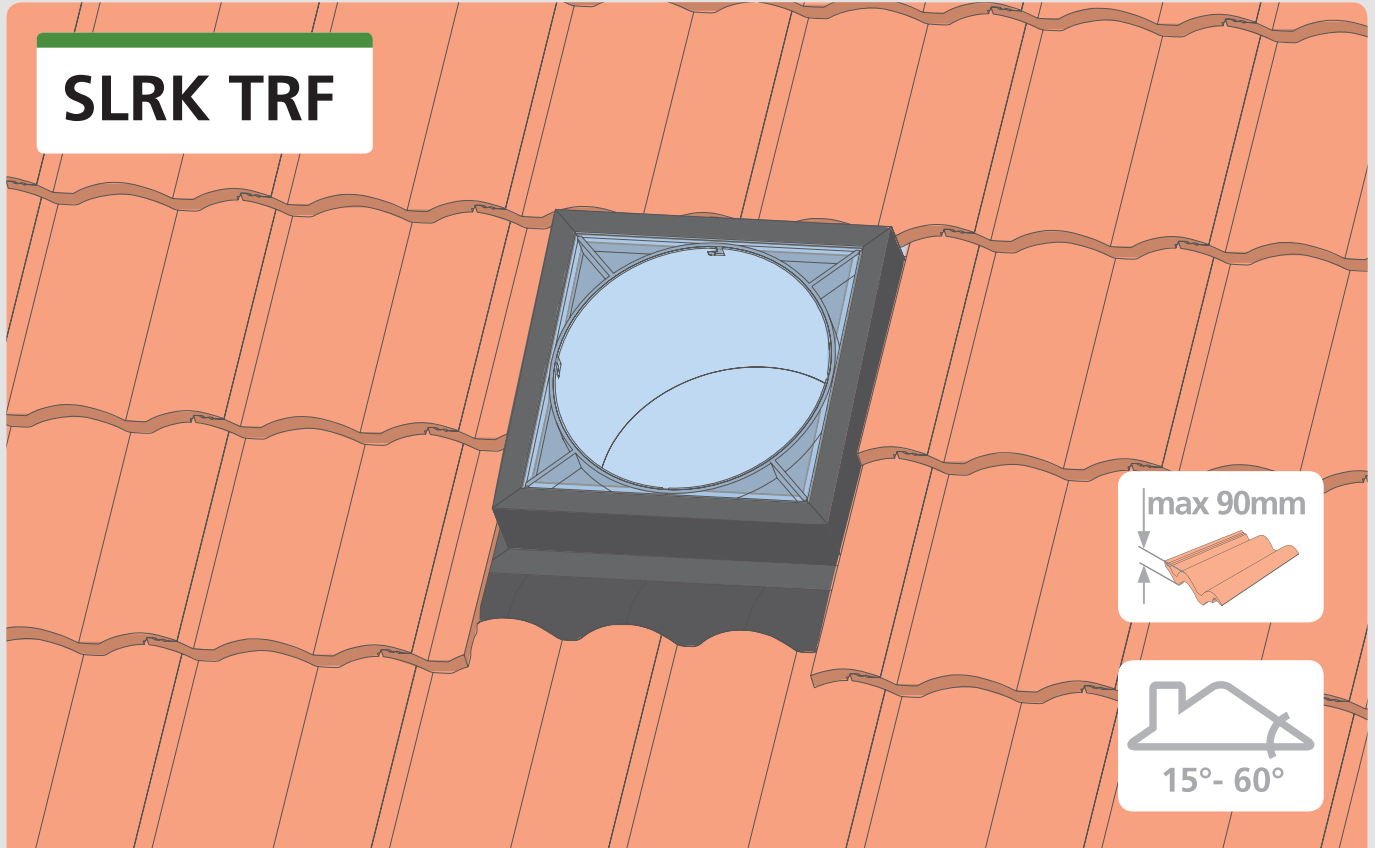
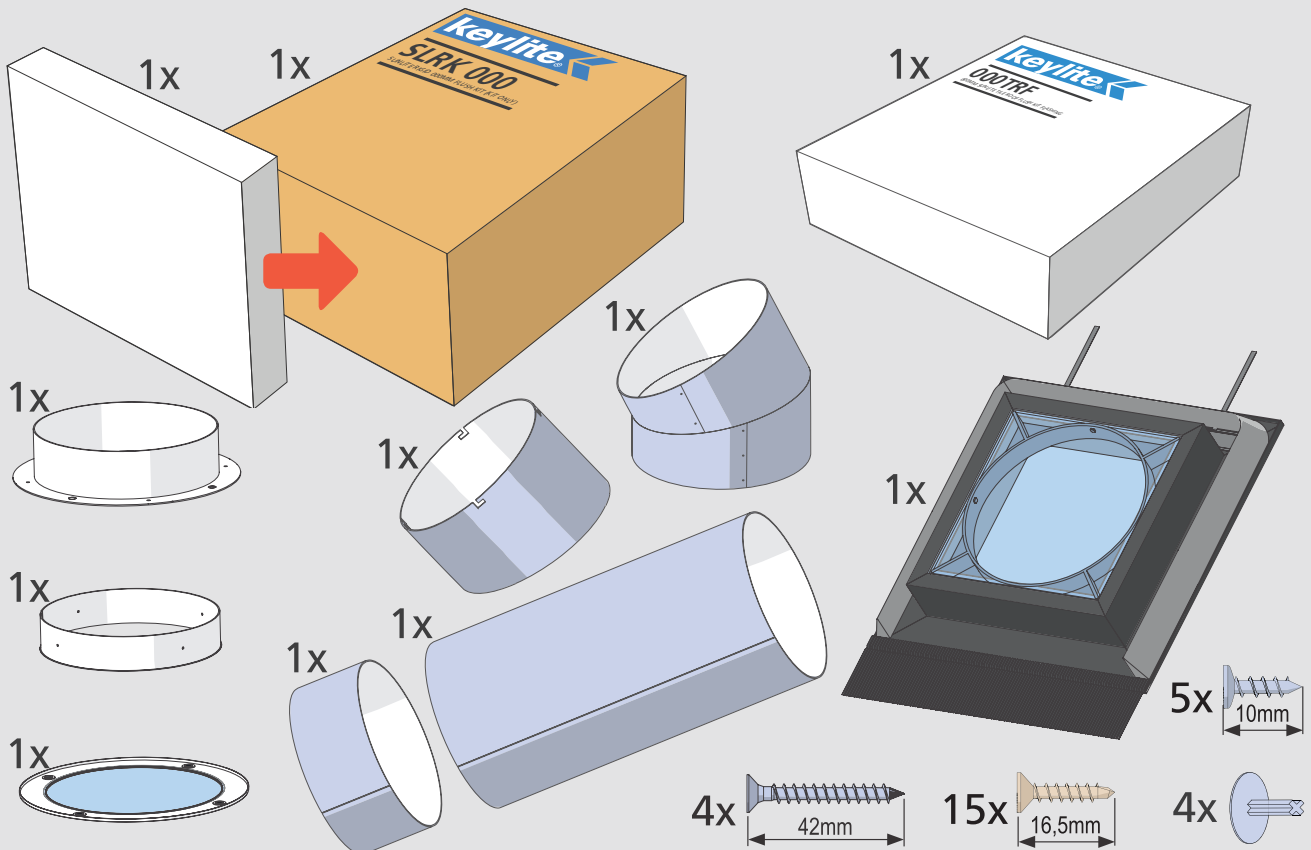






## SLRK TRF

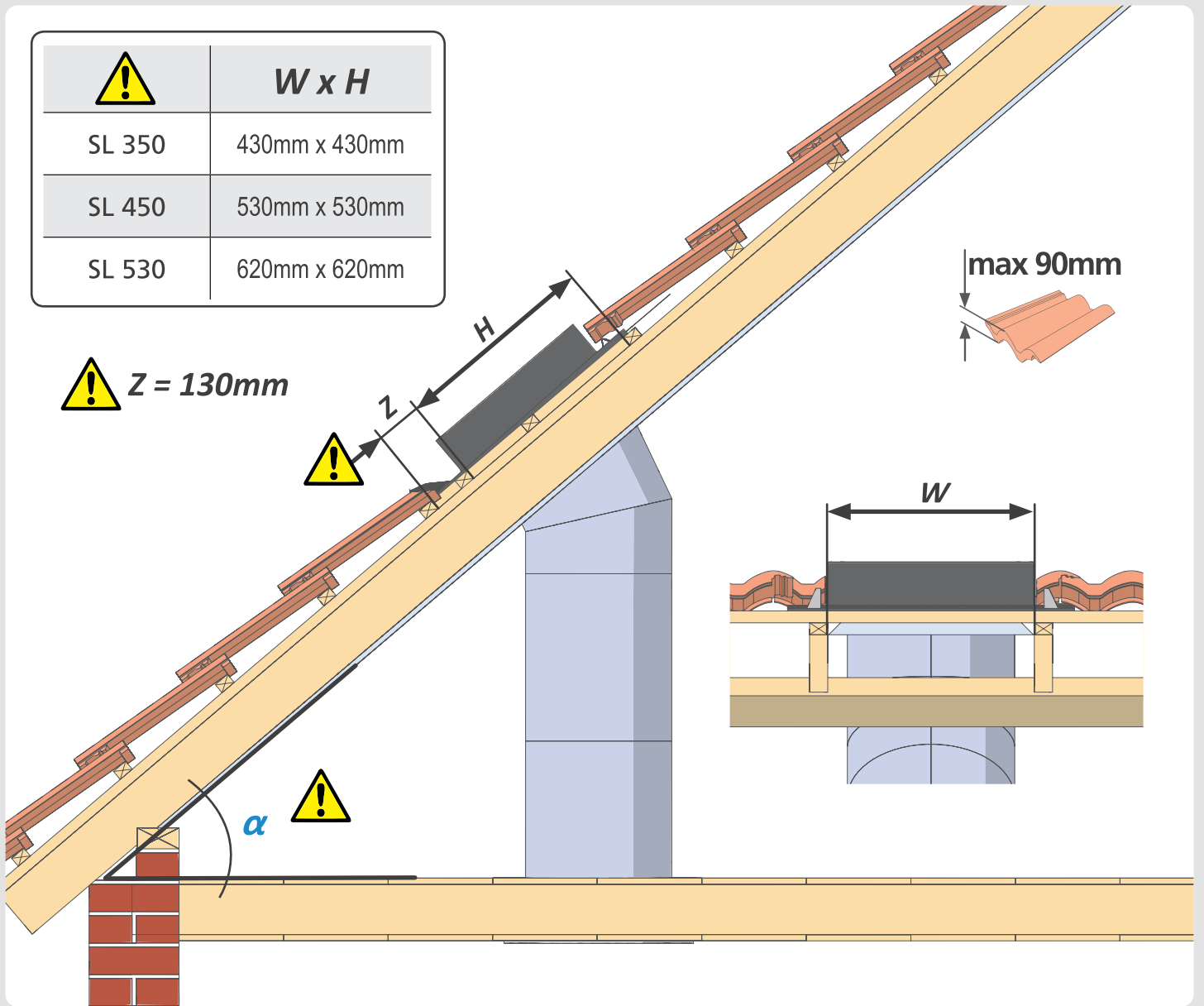


Sun Lite™

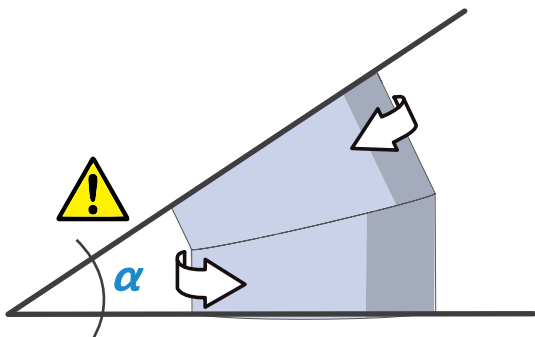


	$W \times H$
SL 350	430mm x 430mm
SL 450	530mm x 530mm
SL 530	620mm x 620mm

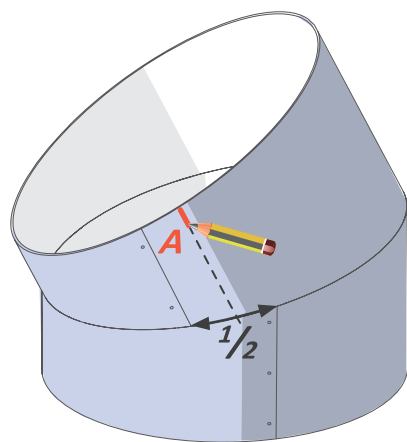
  $Z = 130\text{mm}$



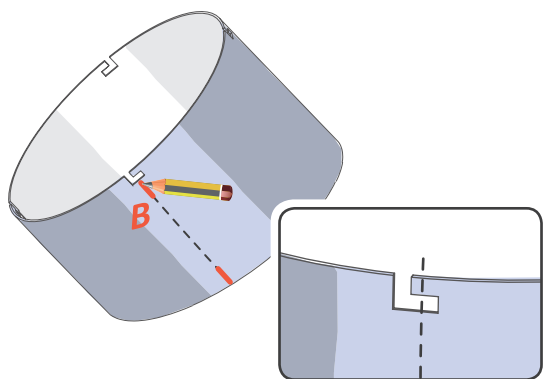
1



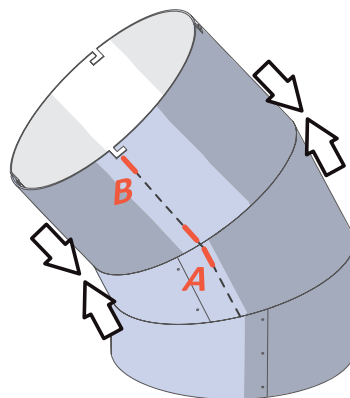
2



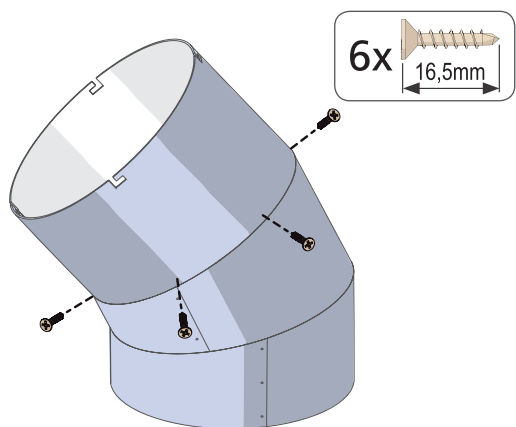
3



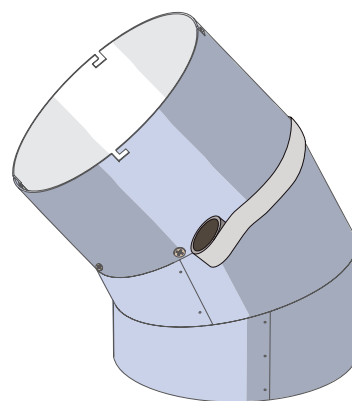
4



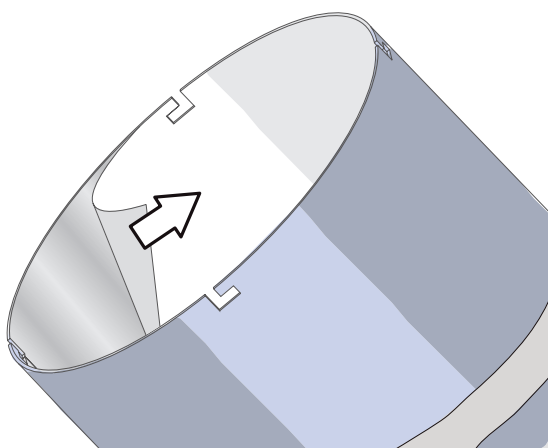
5



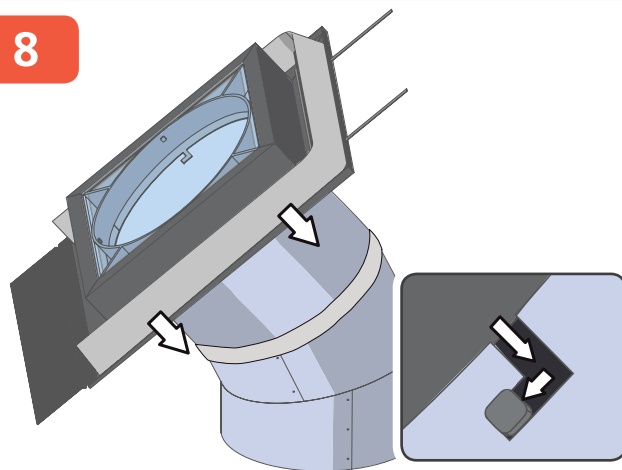
6



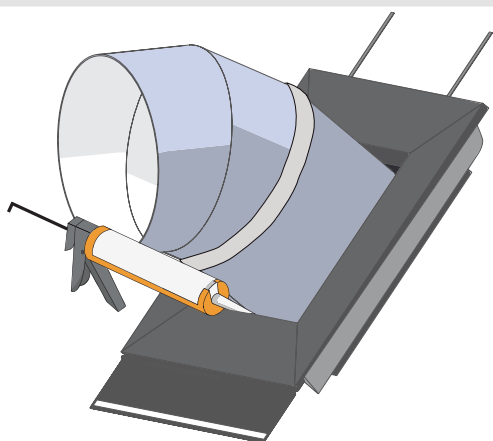
7



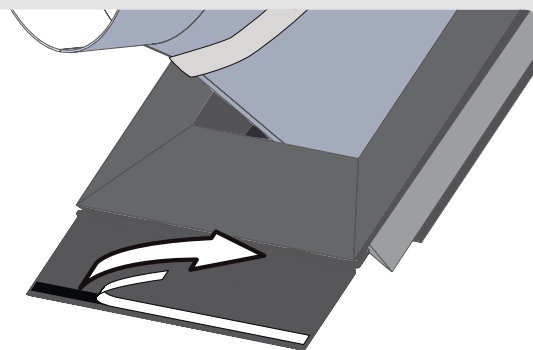
8

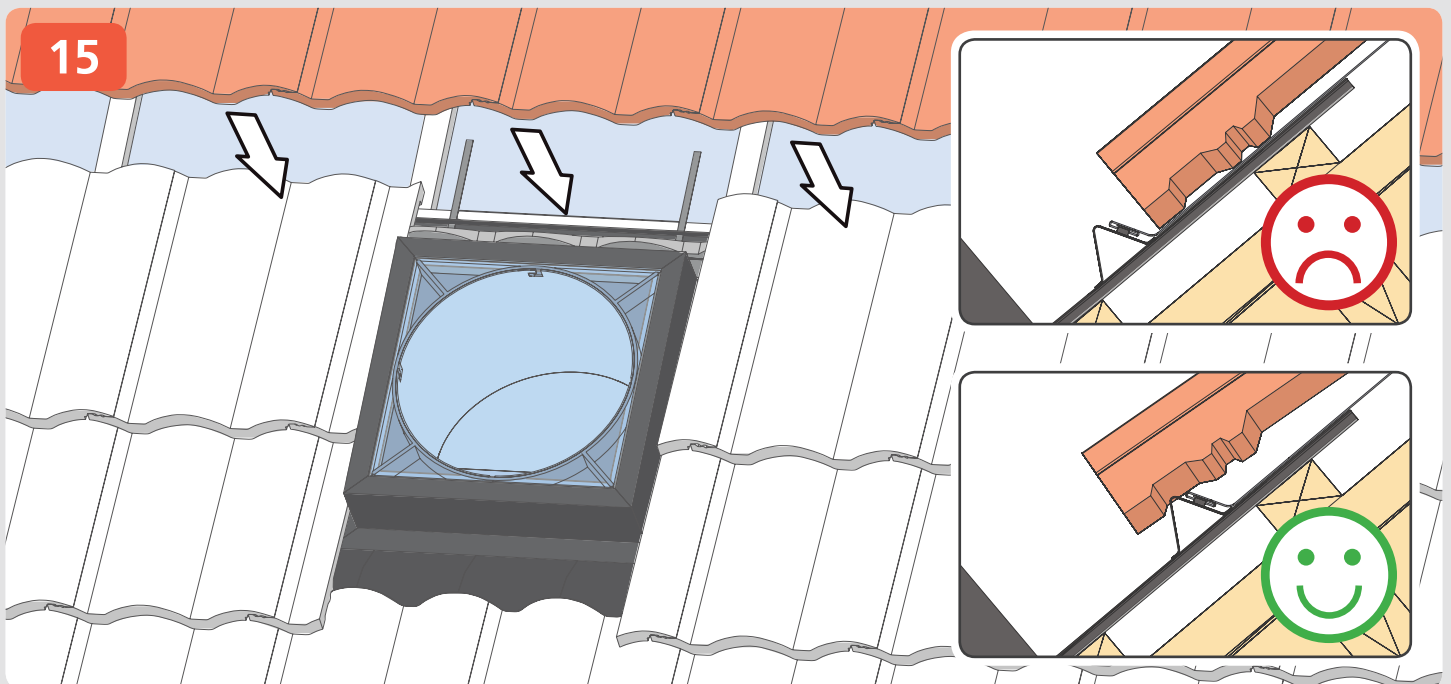
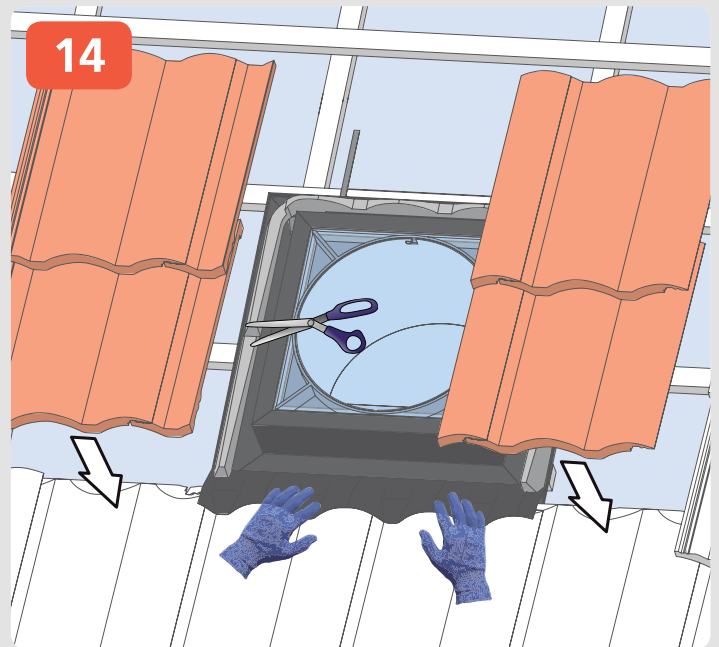
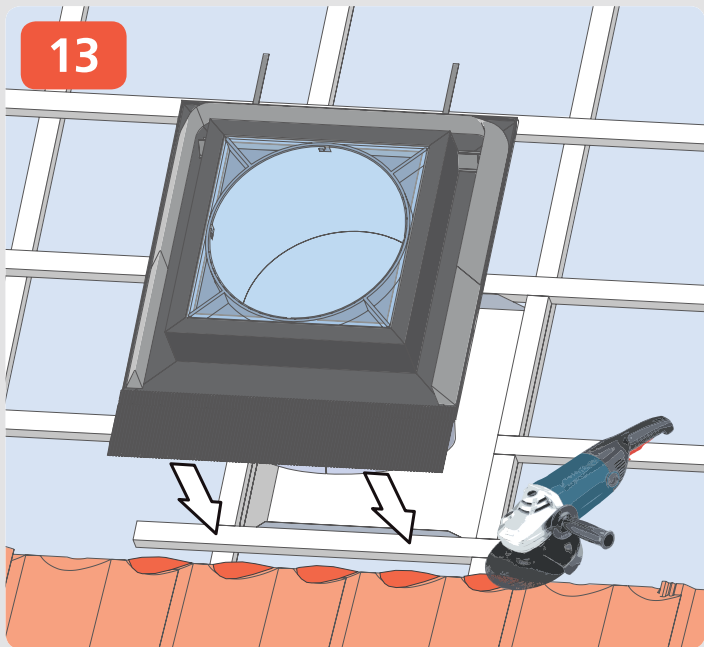
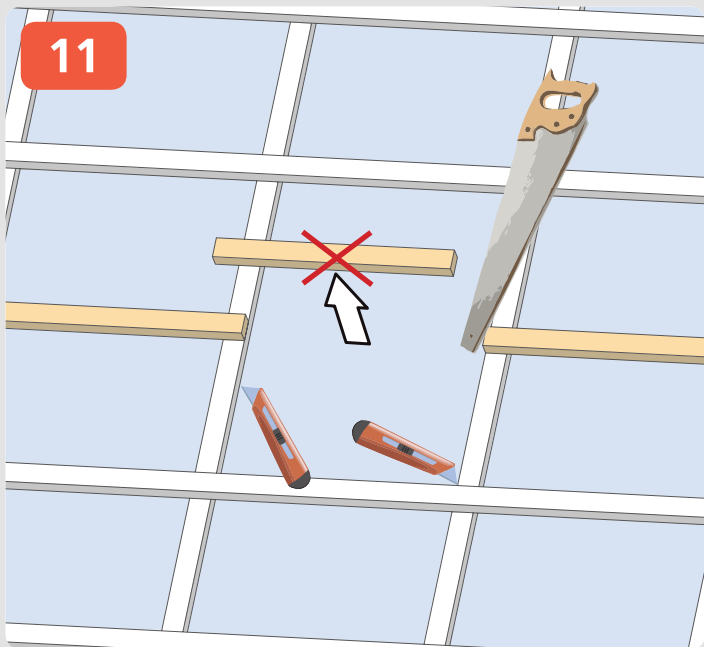


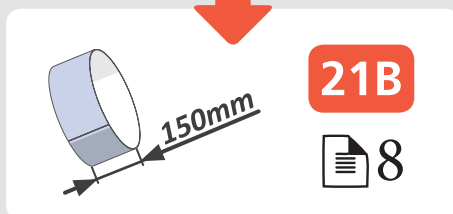
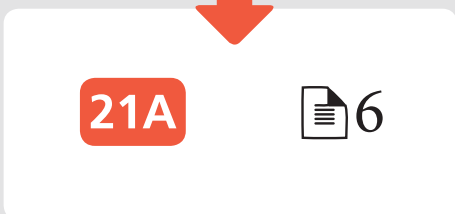
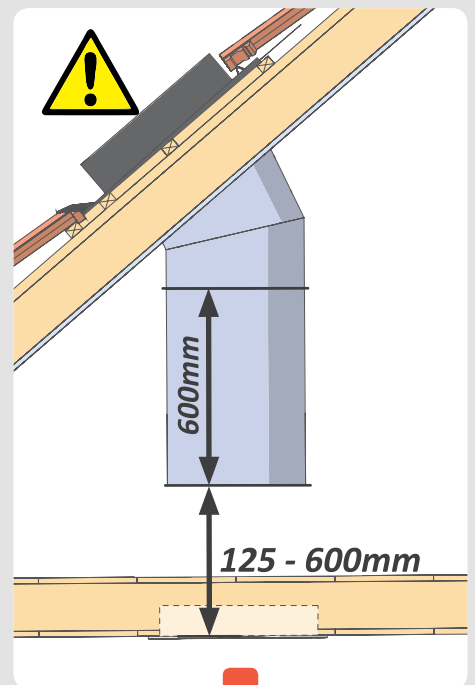
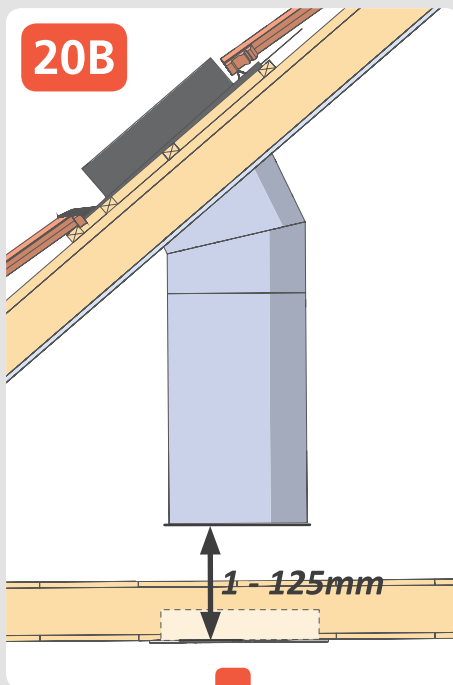
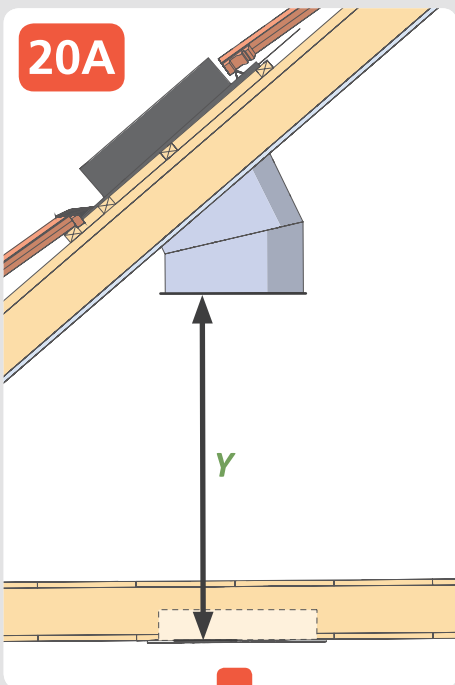
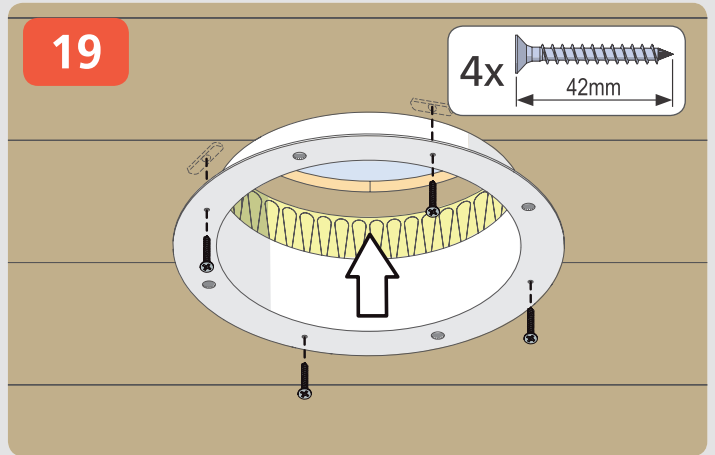
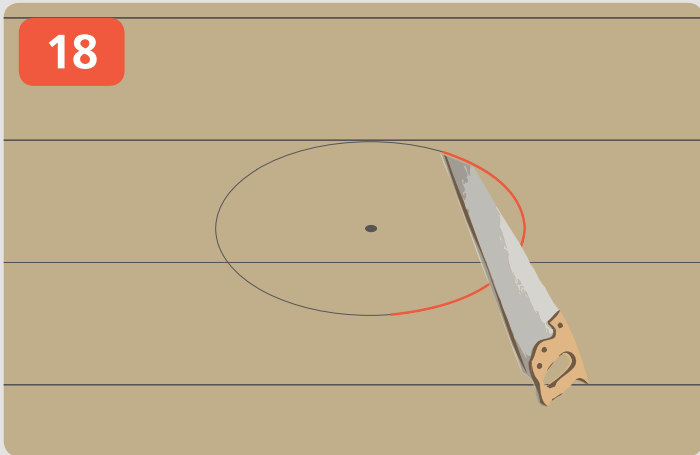
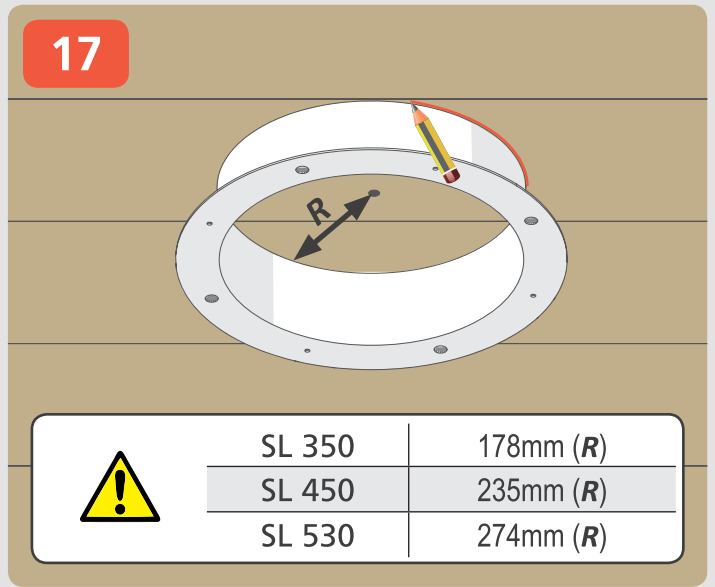
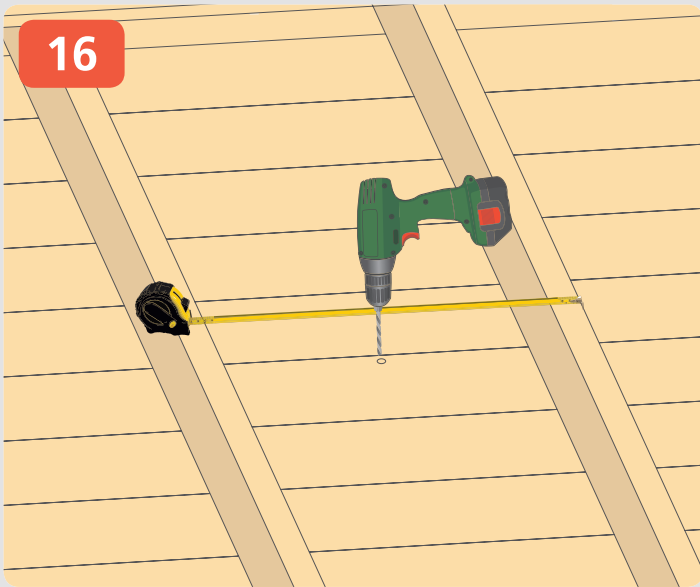
9



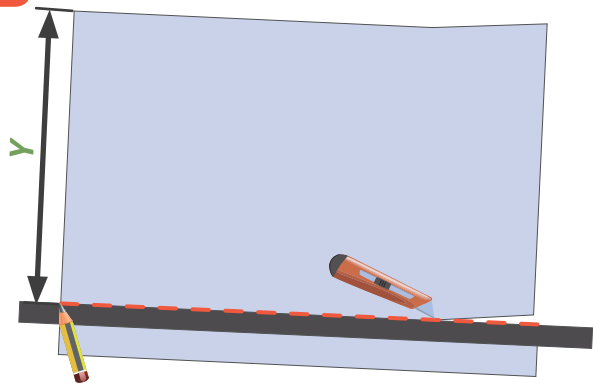
10



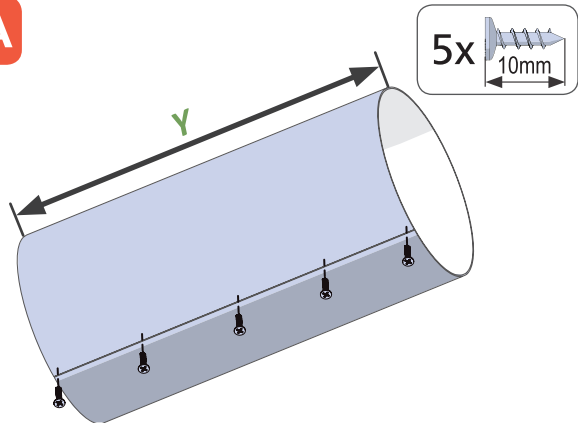




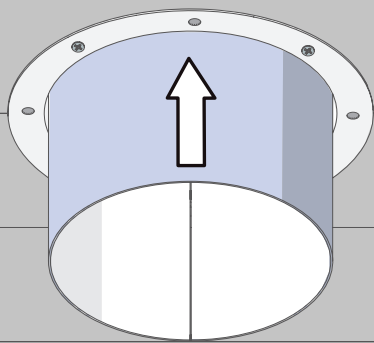
21A



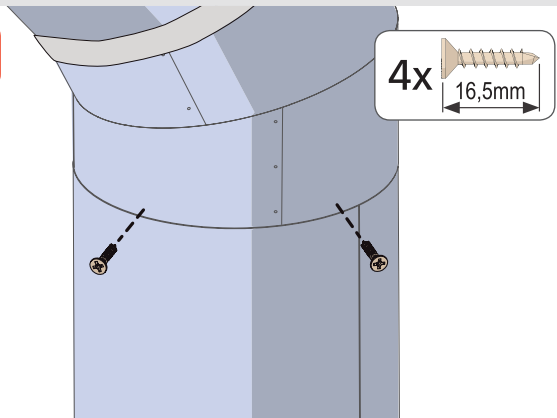
22A



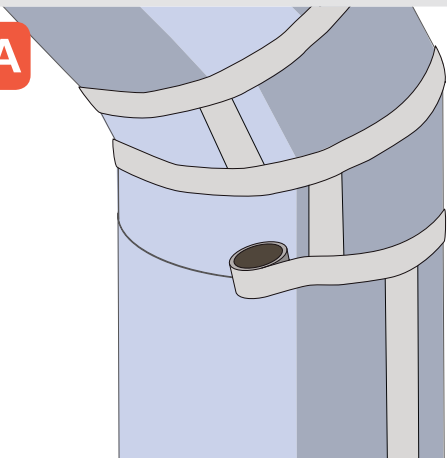
23A



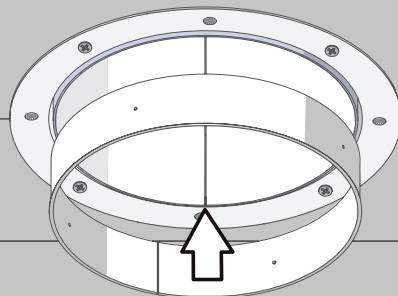
24A



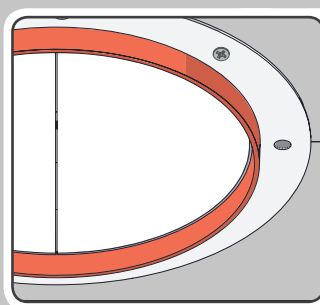
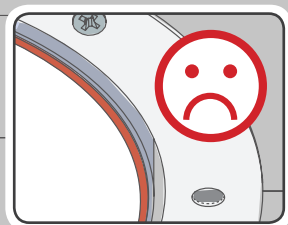
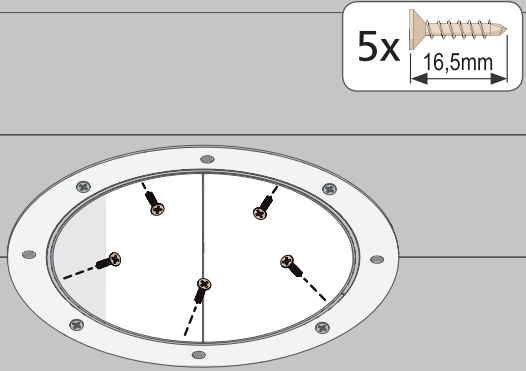
25A



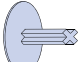
26A

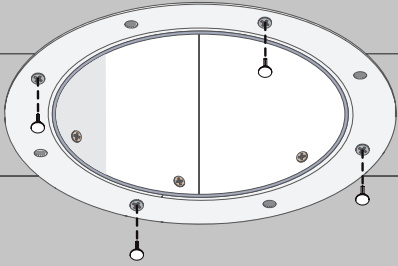


27A

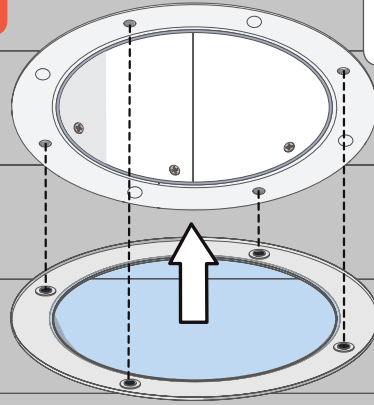


28A

4x 



29A

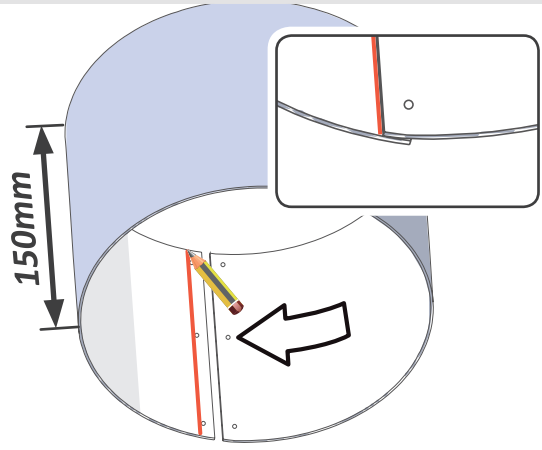


31

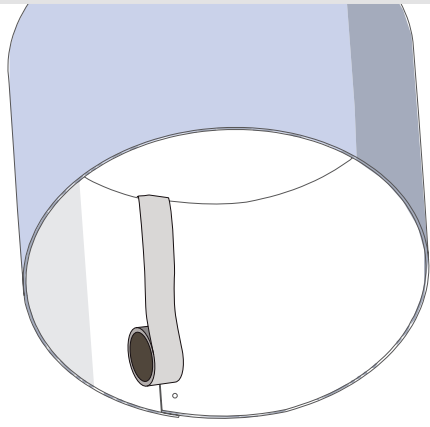


 8

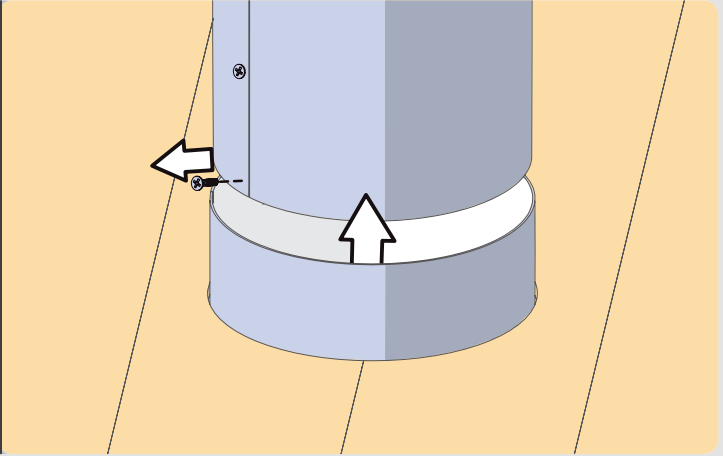
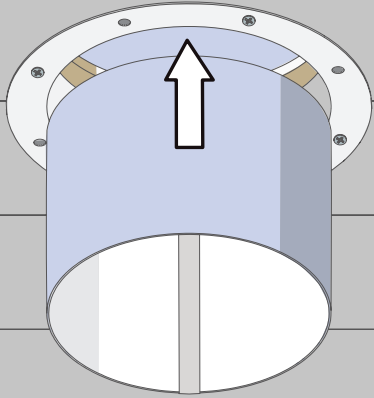
21B



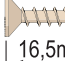
22B

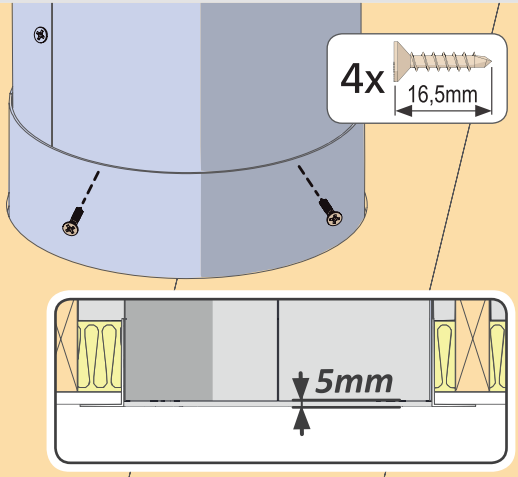


23B

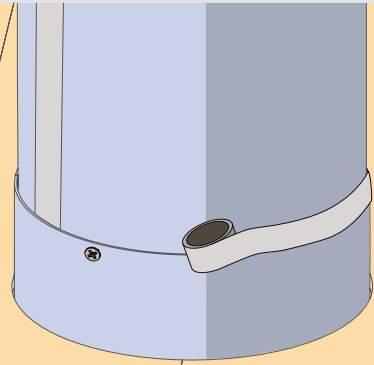


24B

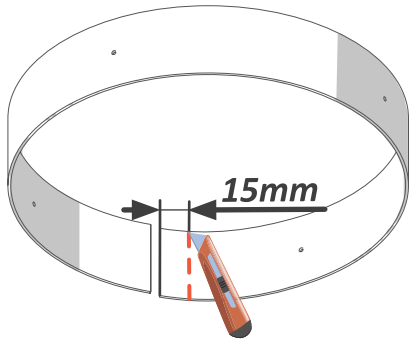
4x  16,5mm



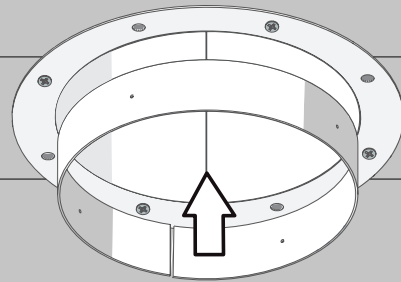
25B



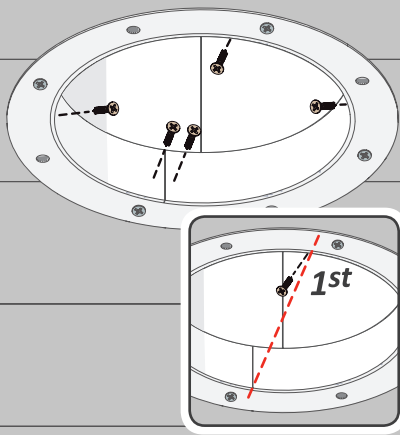
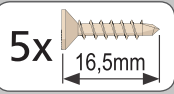
26B



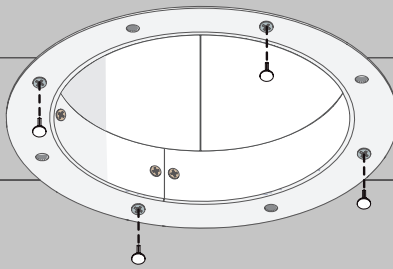
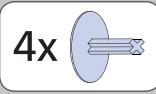
27B



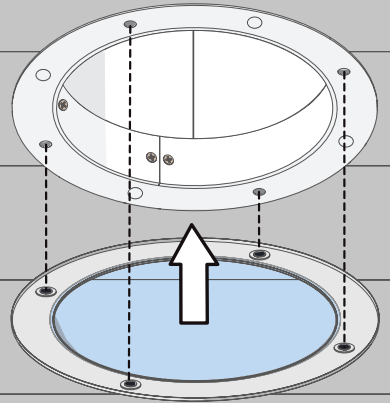
28B



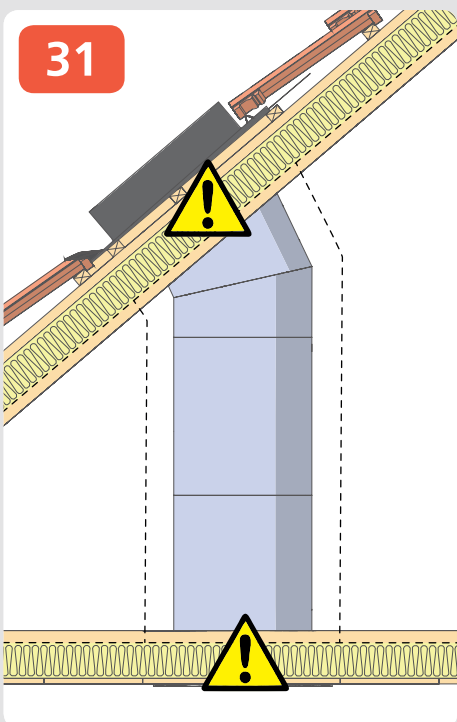
29B



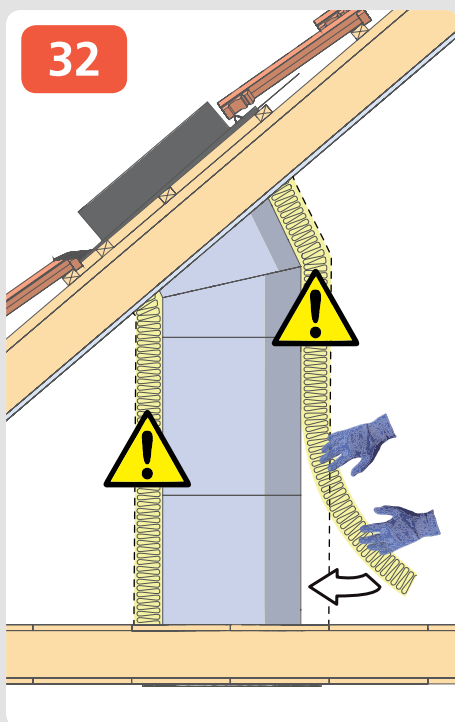
30B



31



32



33

