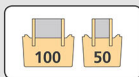
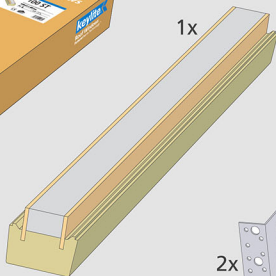


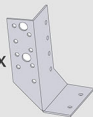
Futuretherm Technology™



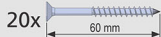
1x

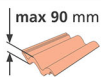
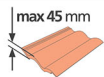


2x



2x

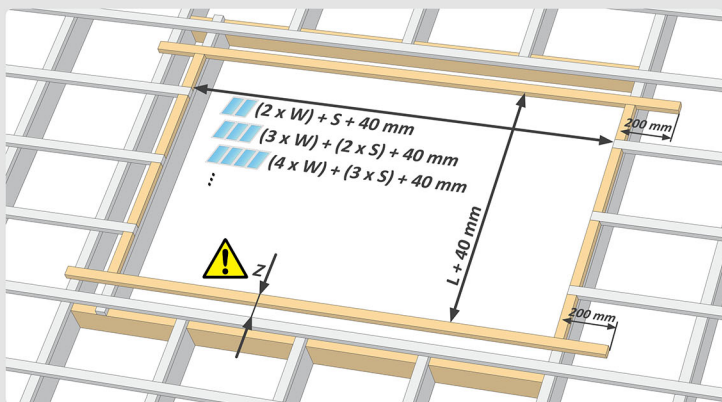
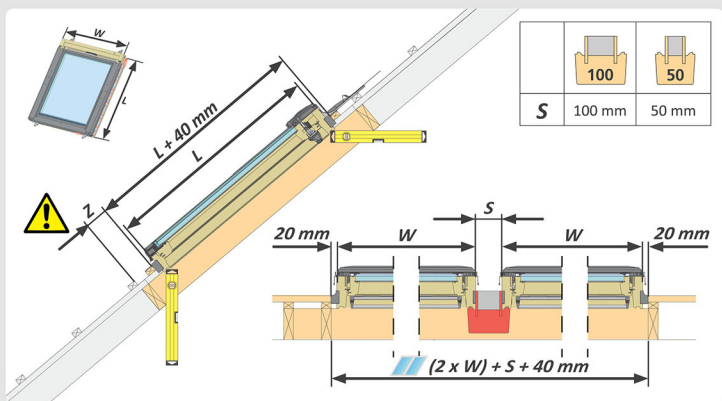


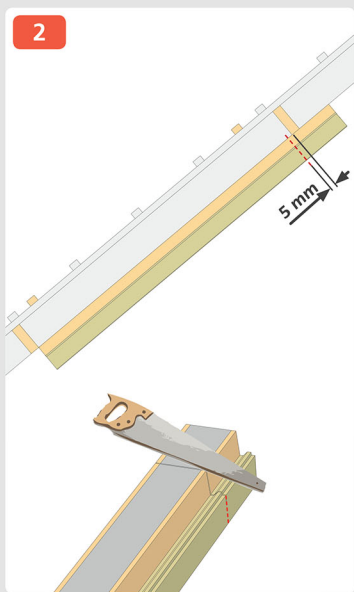
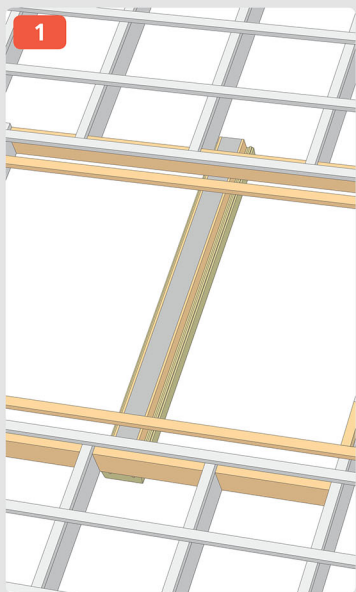
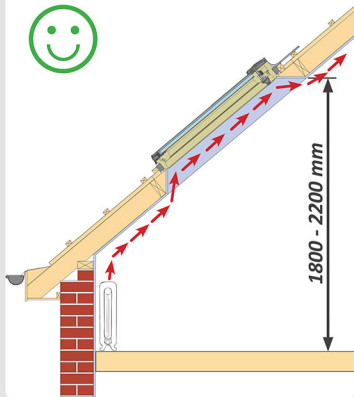
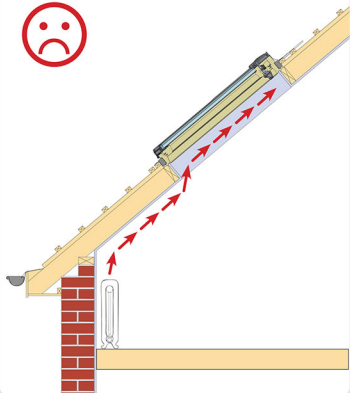


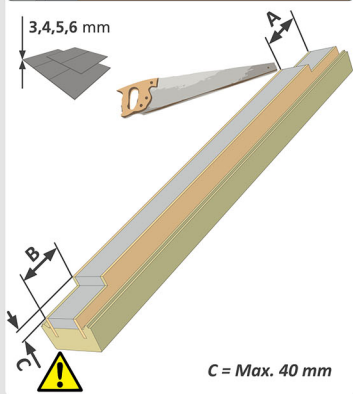
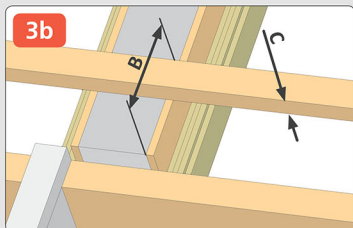
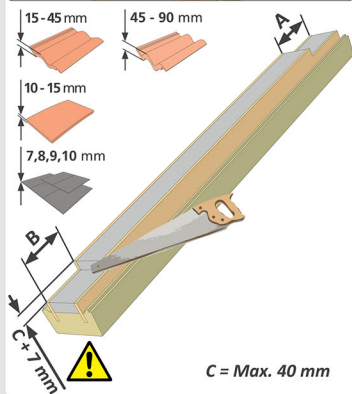
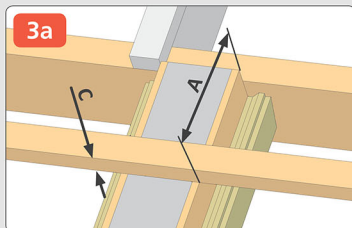
Z = 100 mm

Z = 120 - 140 mm

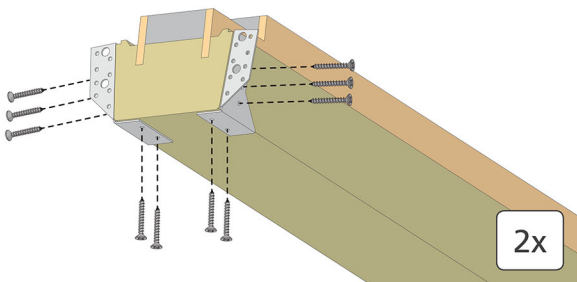
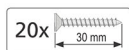
Z = 100 mm

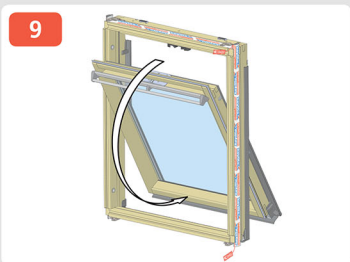
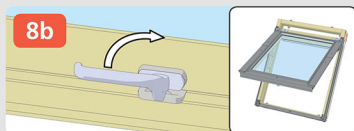
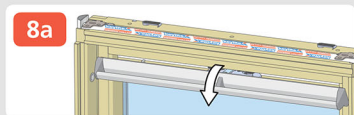
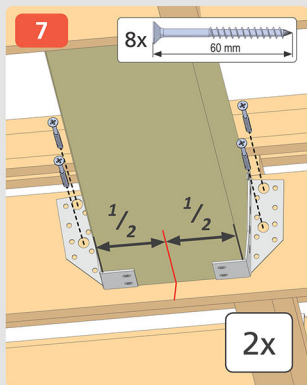
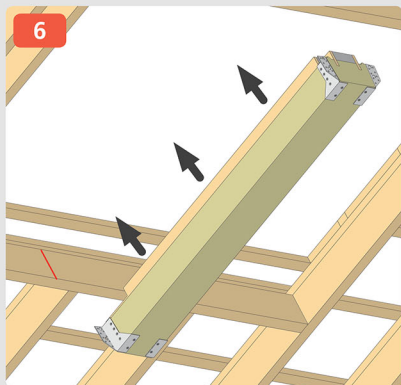
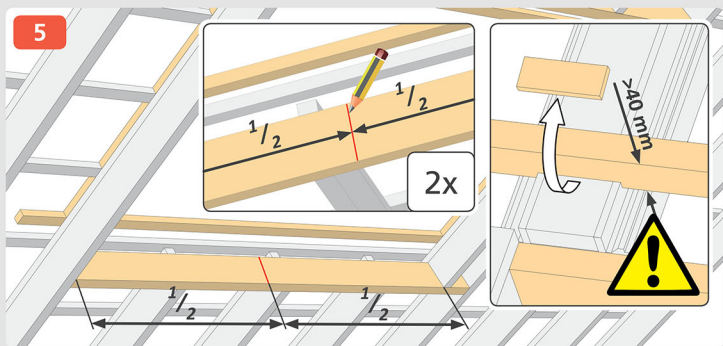




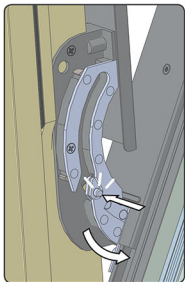
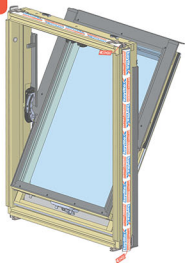


4

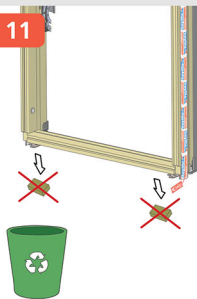




10



11



45 - 90 mm



15 - 45 mm



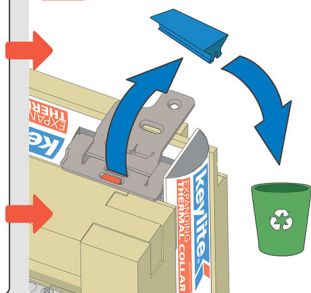
10 - 15 mm



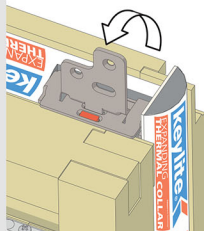
7,8,9,10 mm



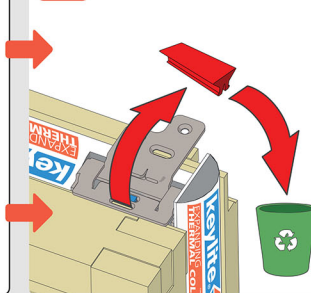
12a



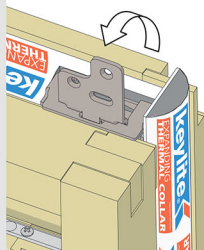
13a



12b



13b



3,4,5,6 mm



