



IMPORTANT INFORMATION

Read carefully the instructions in full before installation. To ensure correct function and safe operation of the product, it is important to follow these instructions carefully.

- The kit must not be used until it has been fully installed using these instructions.
- Isolate the main supply before carrying out any work.
- Ensure no forces act on the switch terminals after installation.
- There is a danger to life and risk of injury with electrically operated windows! The window motor stops by an electric limit stop or overload cut-off. The resulting forces are strong enough to crush body parts.
- Please attach the safety sticker (C) to be clearly visible on the frame of the roof window.
- Installation in rooms with high levels of humidity should be in accordance with relevant electrical regulations.
- Kit is for indoor use **only**.
- Please ensure that the occupants are aware that the window is operated using the wall switch.
- **We recommend only a suitably qualified electrician should install and connect all the electrical devices.**



Function

- This window may be manually operated by removing the pin and clip (B) from the back of the ventilation handle when the window is open or by removing the domed nut (F) on the ventilation handle when closed.
- In case of snow and / or ice, the operation of the window may be obscured.

Product

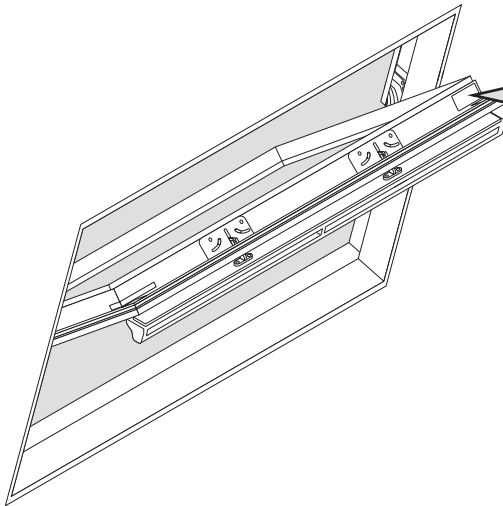
- Disposal of the electric product must be in conformation with national waste regulations.
- The packaging can be disposed as normal household waste.

Maintenance and service

- If installed and operated correctly in accordance with the fitting instructions, the kit does not require any maintenance.
- It is recommended that KEYLITE service engineers carry out any repair work to the window or Keylite electric Kit.



Steps i & ii for window sizes
08, 09 & 10 only



keylite 

Window Size: 08
1140mm x 1180mm

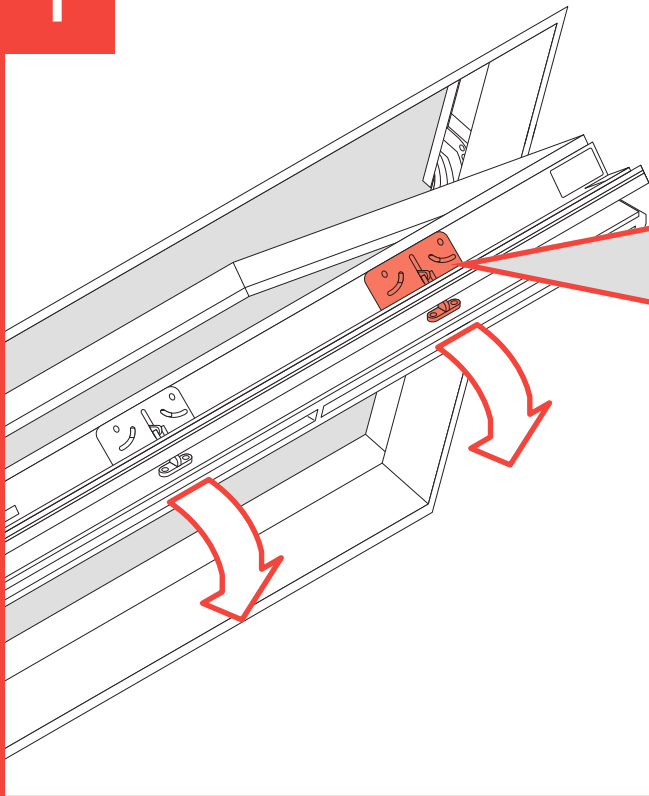
keylite 

Window Size: 09
1340mm x 980mm

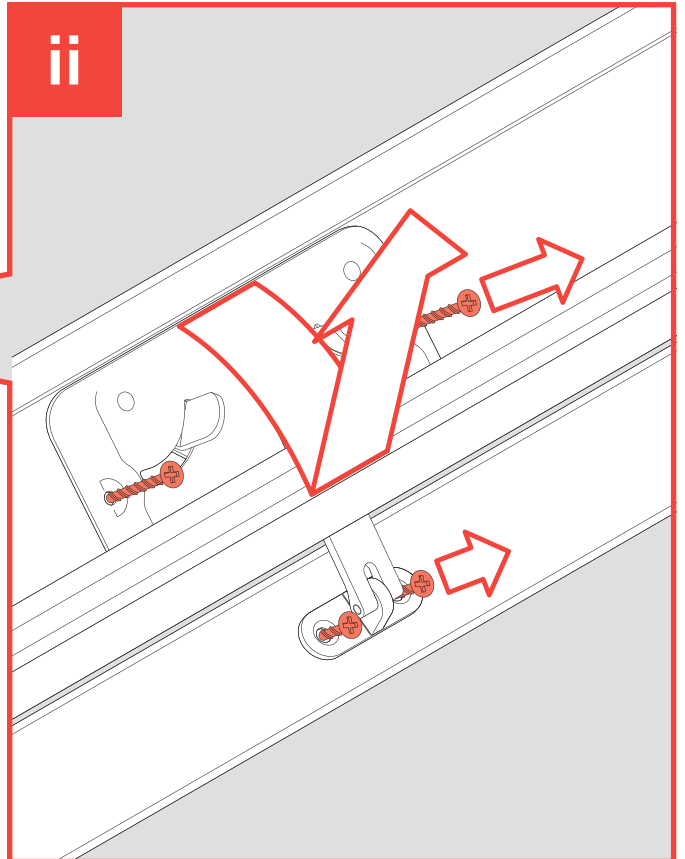
keylite 

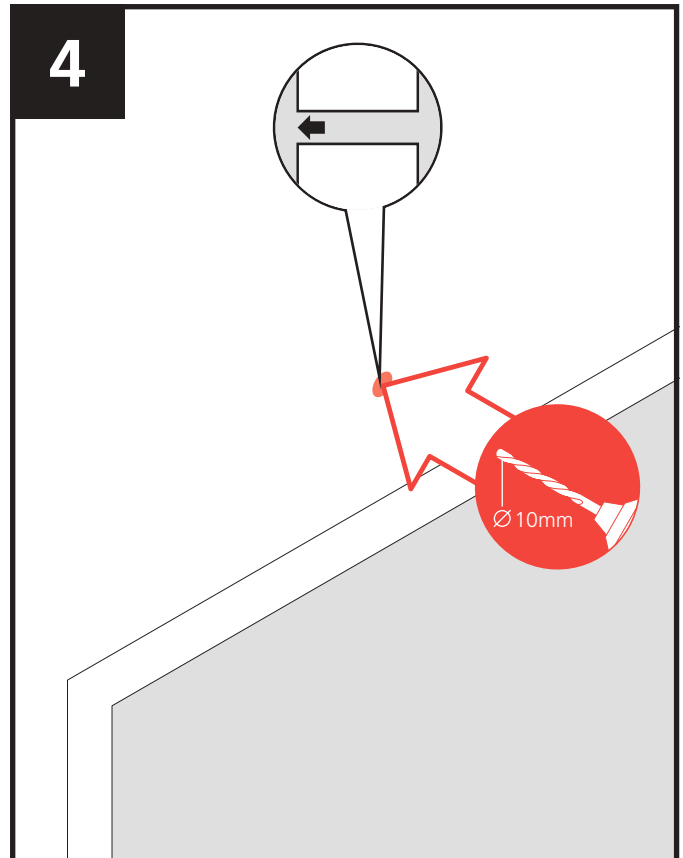
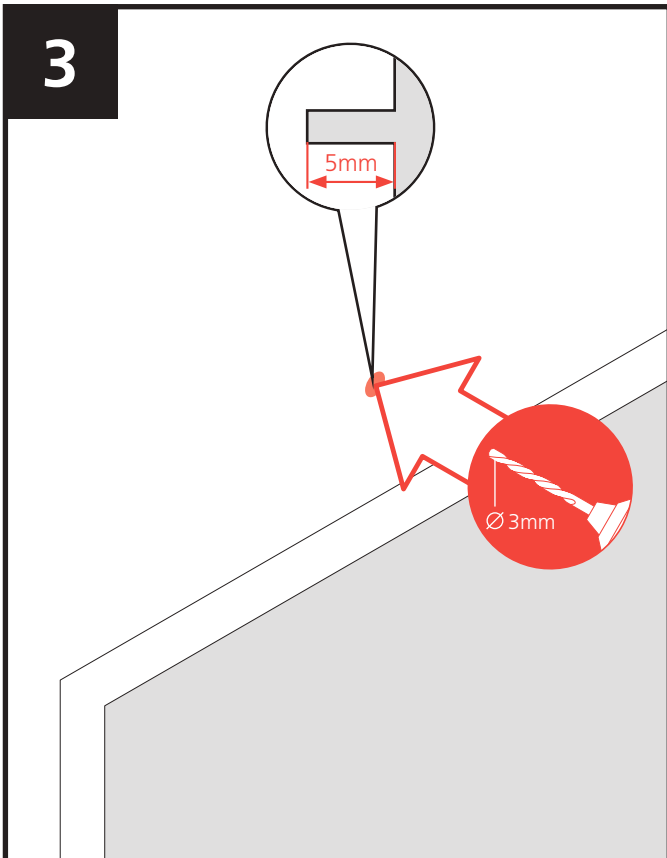
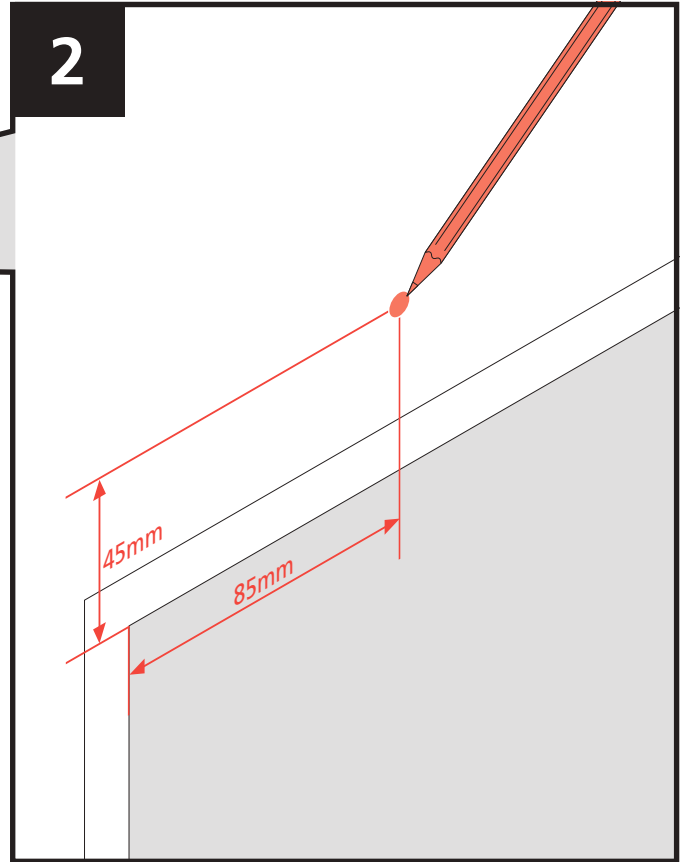
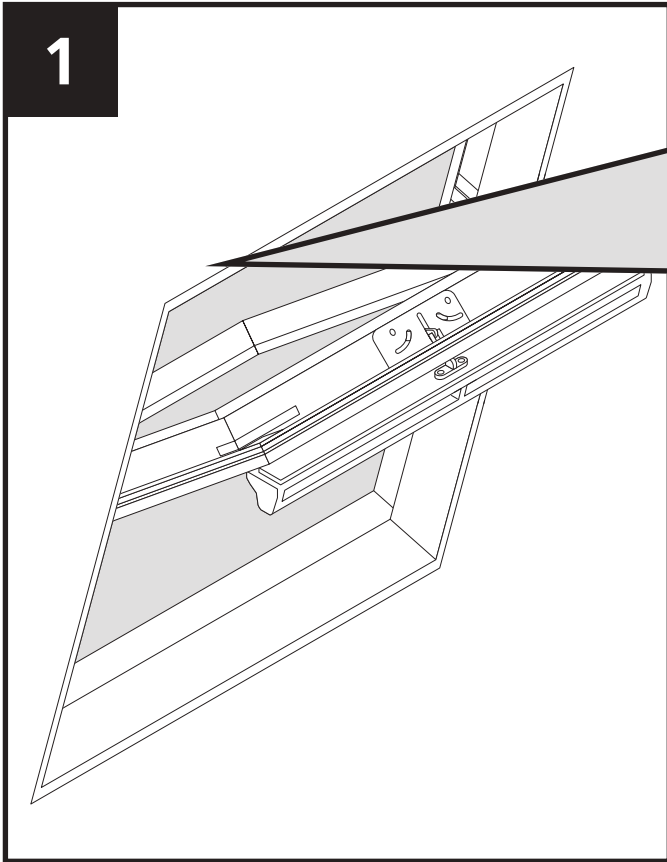
Window Size: 10
1340mm x 1400mm

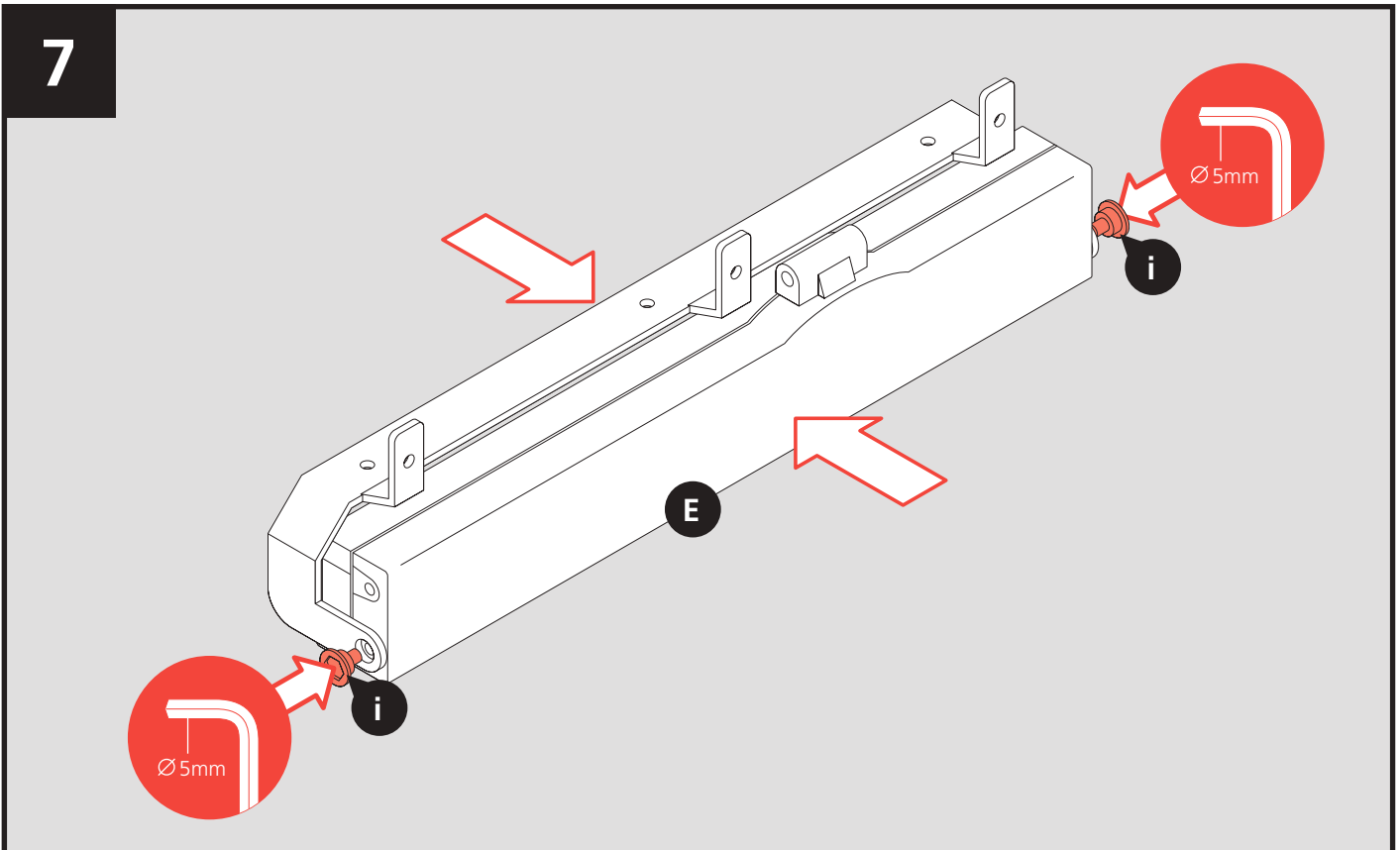
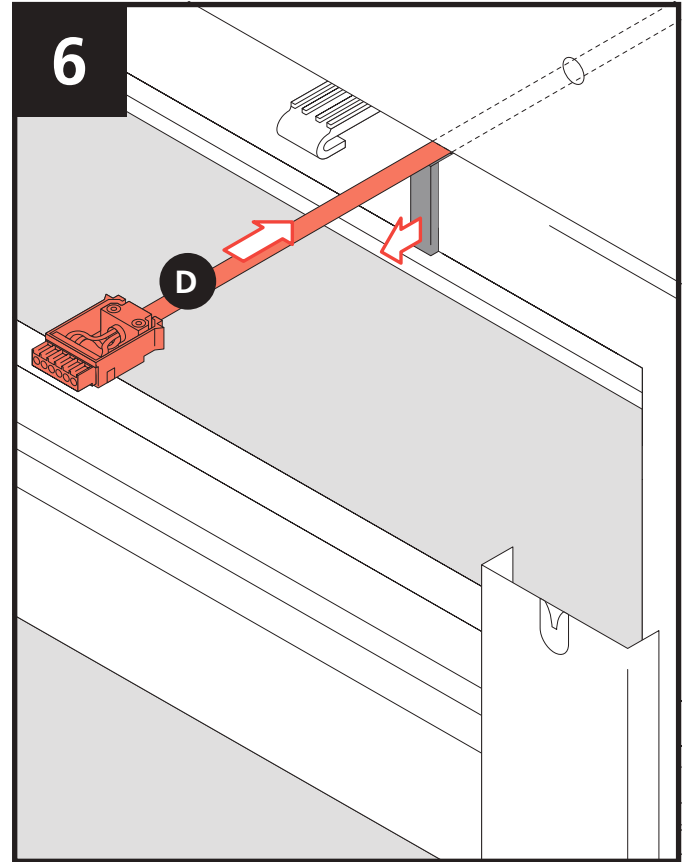
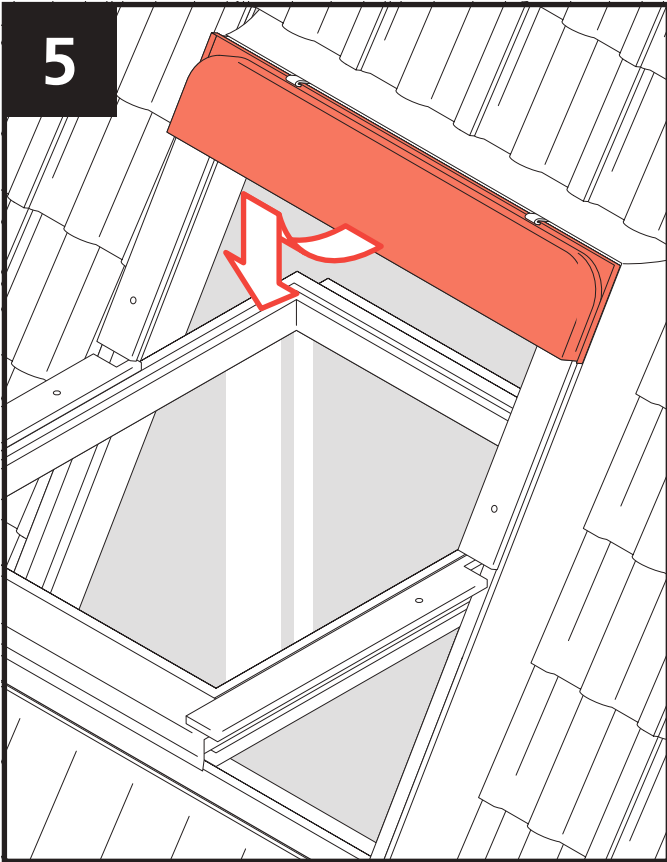
i

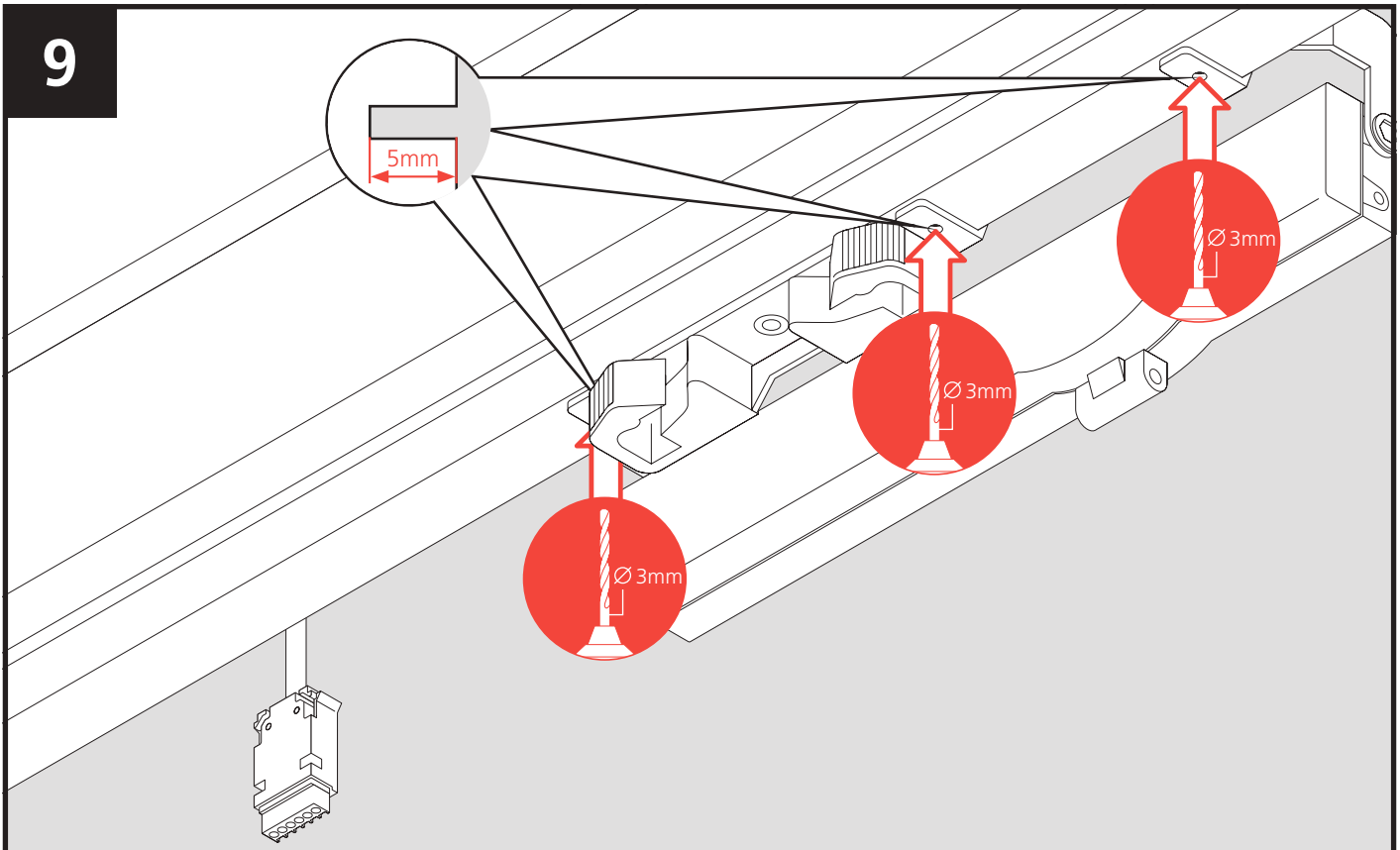
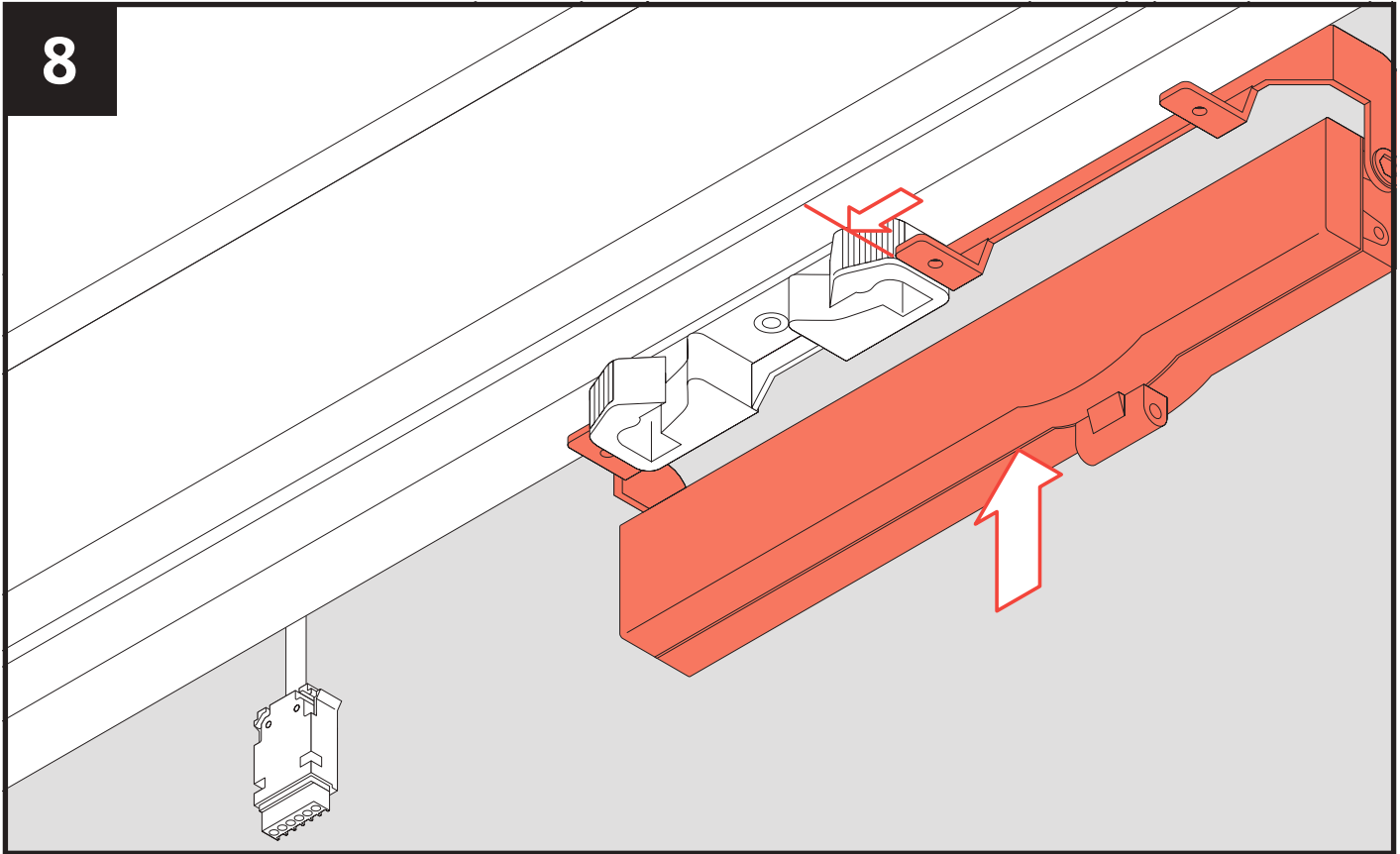


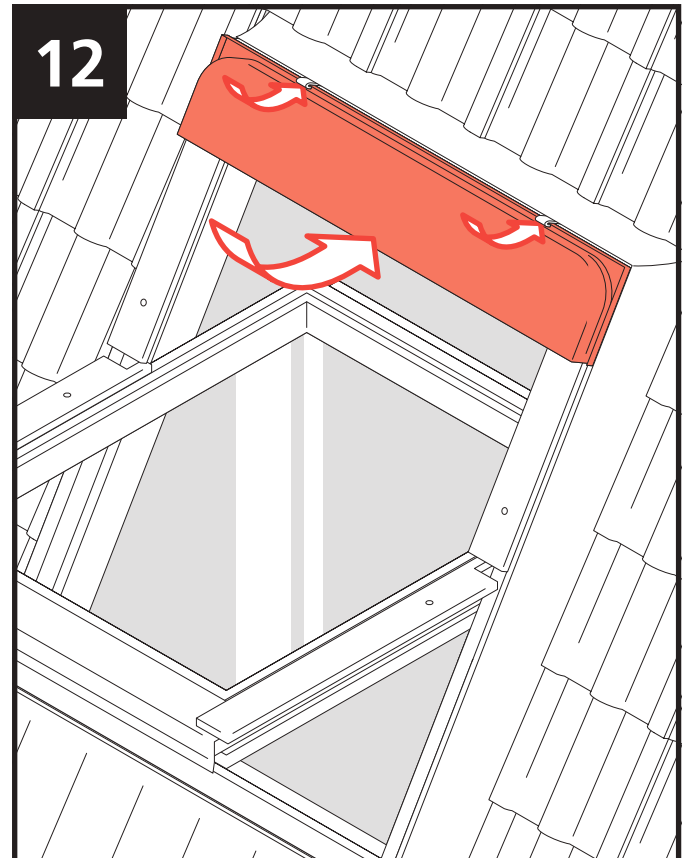
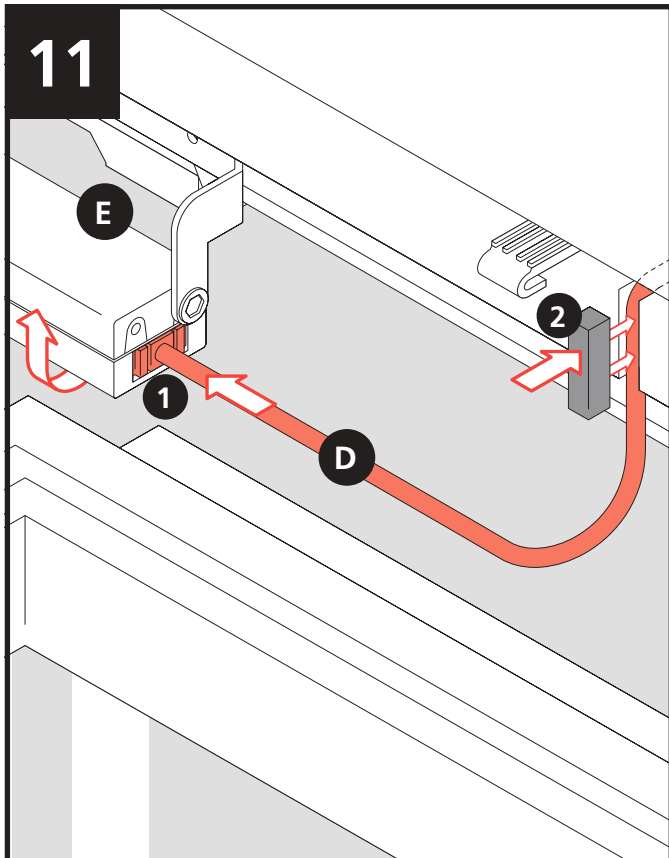
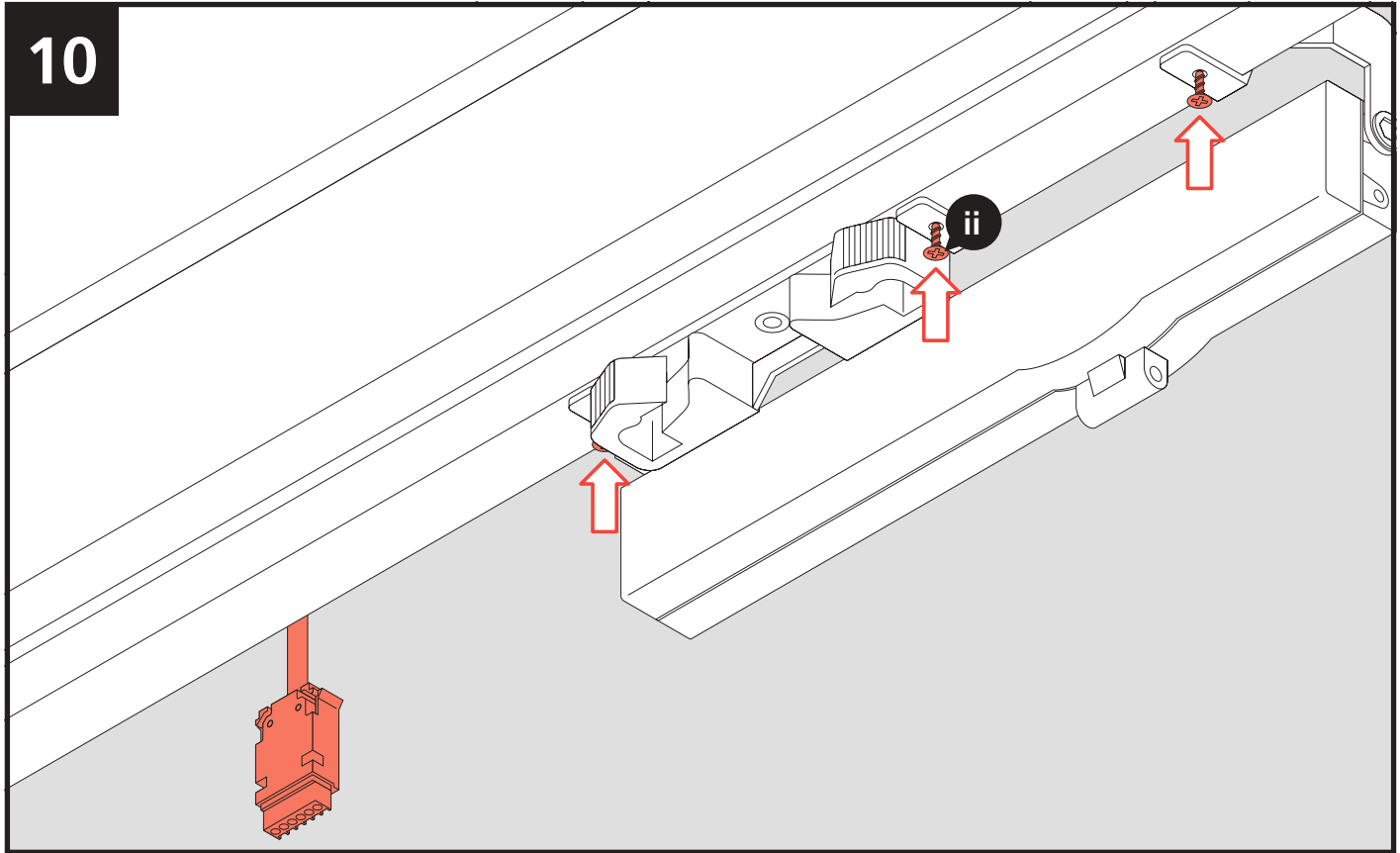
ii

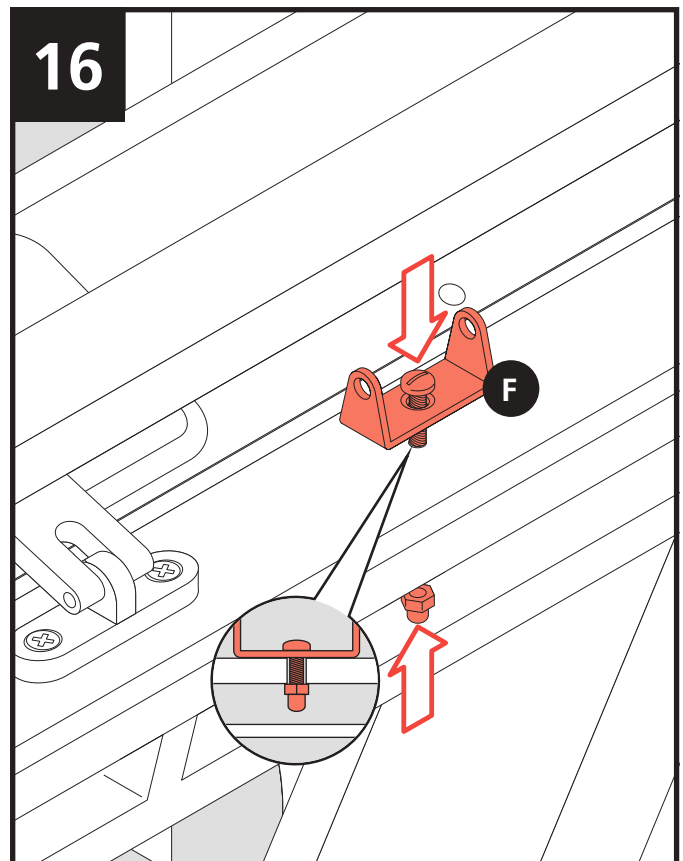
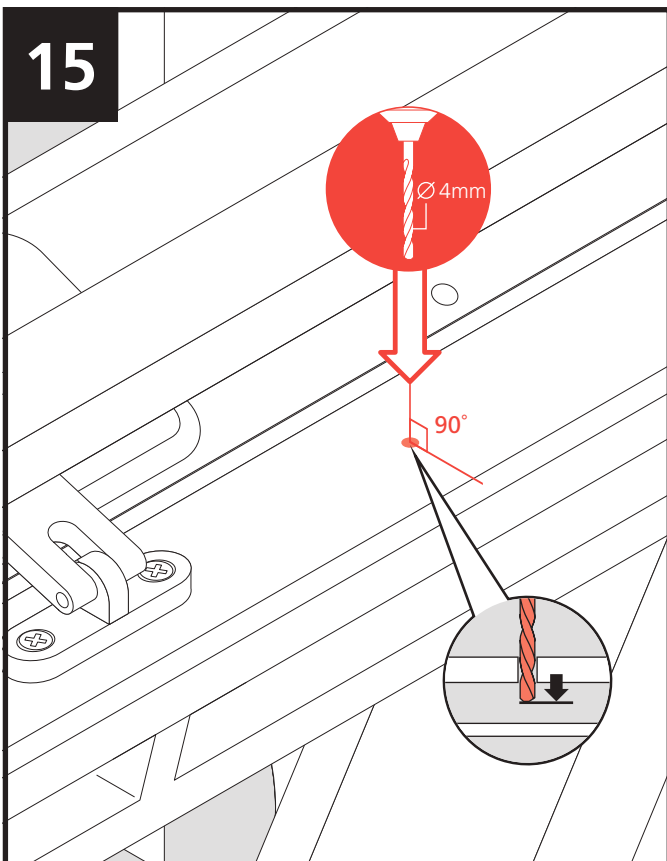
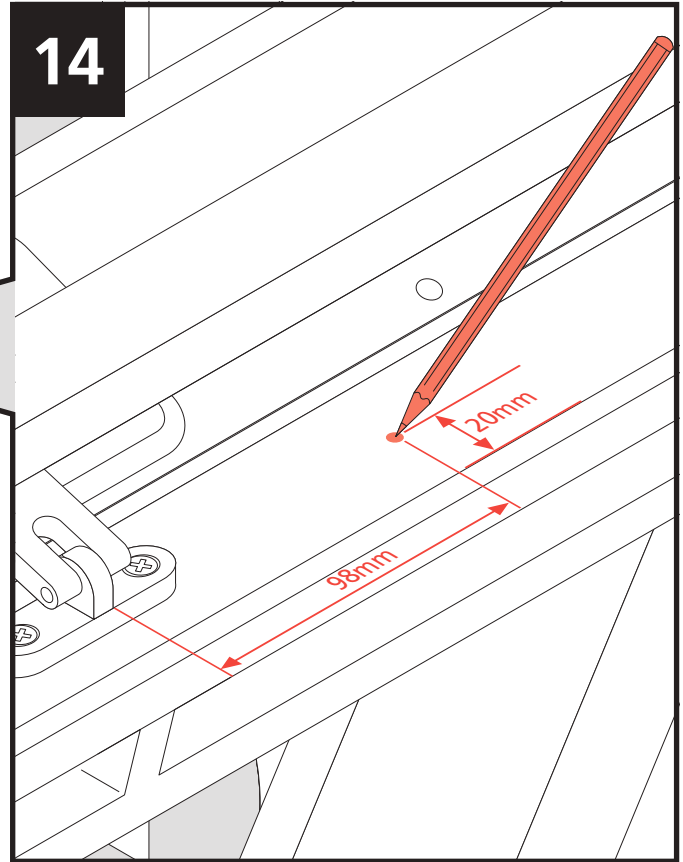
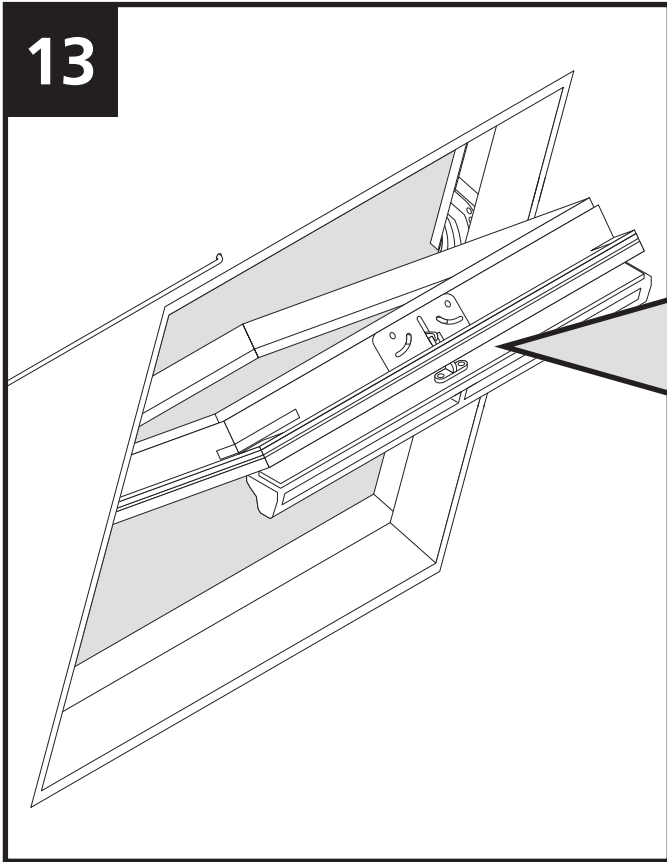


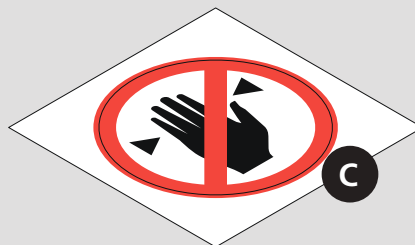
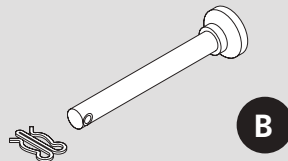
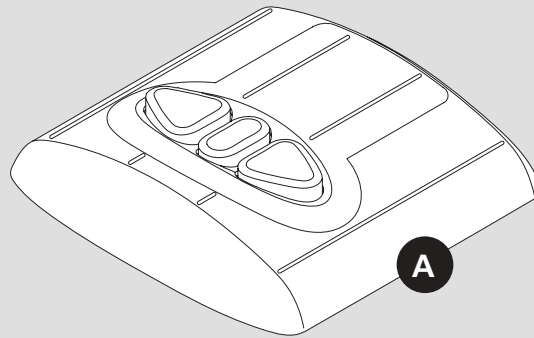














- 24 V DC do not connect to mains supply.
- When extending motor cable to wall switch (A), only extend the white and brown cores.
- The installation of this system must be carried out by a qualified electrician the guarantee will be voided if this is not followed.

1

